

TX211 SPECIFICATIONS

INOX basin rough-in valve

FEATURES:

- Wall-mount, concealed rough-in valve for basin trim set
- Stainless steel trim AISI 304
- Plaster guard provided for protection during installation

SPECIFICATIONS:

Warranty:	Limited lifetime warranty (residential) One year warranty (commercial)
Connection:	1/2" NPT
Material:	Stainless steel trim AISI 304
Flow rate:	5.5 gpm @ 60 PSI
Cartridge type:	Ceramic cartridge S.T.S.R Italy
Shipping weight:	1.33 lbs (2.9 kg)
Shipping dimensions:	(LWH) 6" x 6 3/4" x 7 3/4" (155mm x 172mm x 195mm)

FINISHES:

- Satin (-S)

REQUIRES:

- TOX811R/SA-S wall-mount single-lever basin trim set

INSTALLATION:

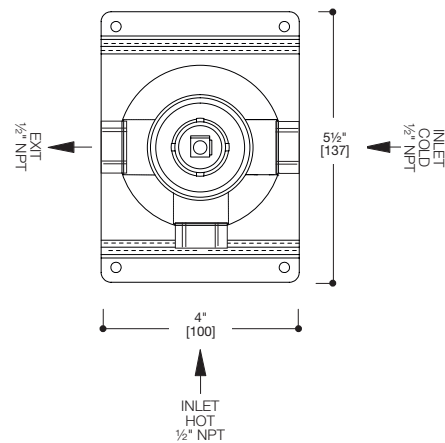
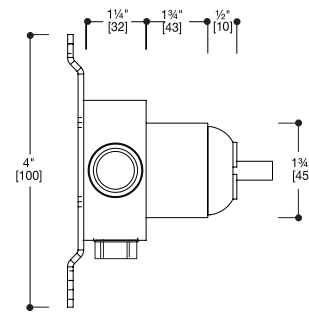
Install this product according to the installation guide. Our products must be installed by certified professionals only and according to our installation guide as well as federal, provincial/state and local building codes and regulations.

CARE AND MAINTENANCE:

See Installation Manual

CODES / STANDARDS APPLICABLE:

- Meets or exceeds ANSI / ASME standard A112.18.1 and CAN / CSA B125.1-05 requirements
- Listed with IAPMO bearing the UPC / cUPC mark
- Calgreen compliant
- California AB1953 compliant



CALGreen AB1953

*Approximate measurements for comparison only.
Note: These dimensions and specifications are subject to change without notice.