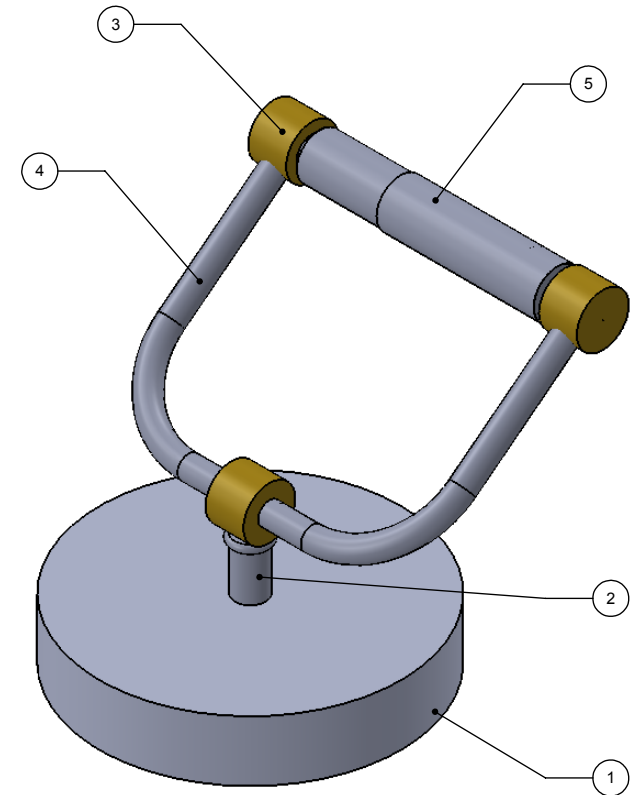
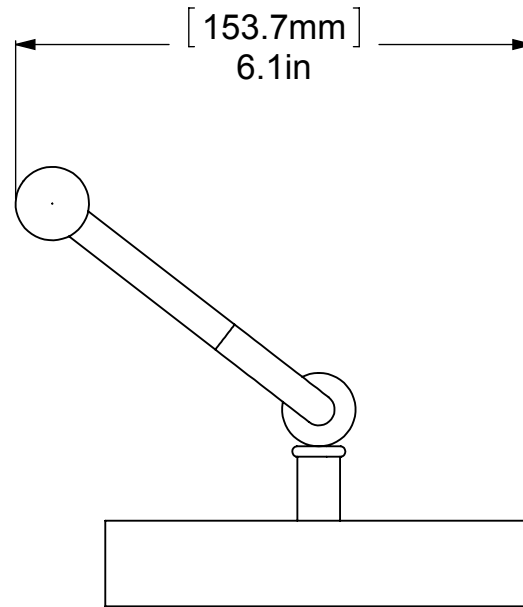
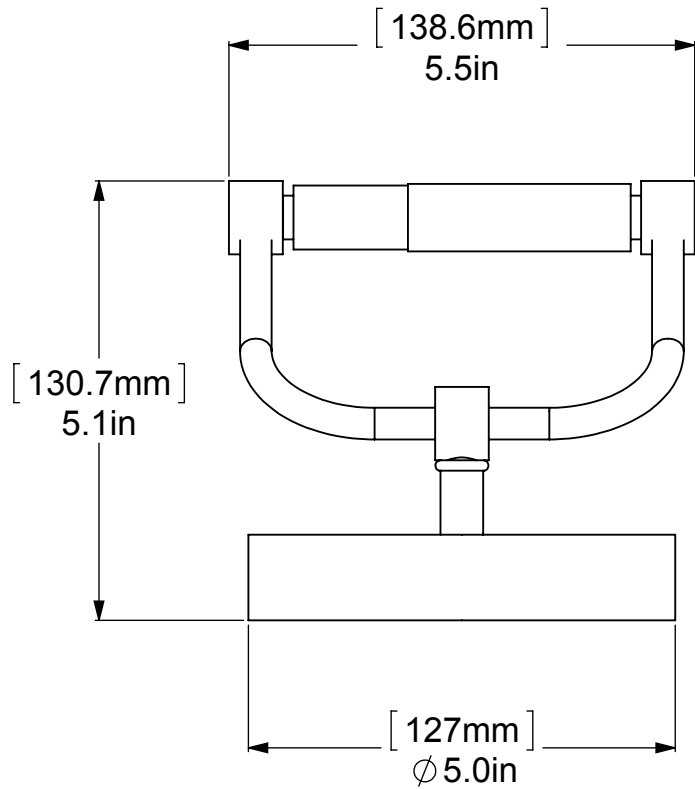


ITEM NO.	P/N	DESCRIPTION	QTY.
1	BSRD-5	BASE	1
2	TU12-.75	TUBE	1
3	HBTTT-78	HUB	3
4	HKTT	PIPE TUBE	2
5	RLB-SET	ROLL	1



UNLESS OTHERWISE STATED

.X	$\pm .3\text{mm}$
.XX	$\pm .15\text{mm}$
.XXX	$\pm .008\text{mm}$

COPYRIGHT © Allied Brass 2017



THIRD ANGLE PROJECTION

DRAWN	6/24/2017	I.M
CHECKED	6/24/2017	P.D
APPROVED	6/24/2017	R.A

MATERIAL: BRASS

DESCRIPTION:

Vanity Top Toilet  
Tissue Holder



FINISH: TBD

QUANTITY: TBD

DRAWING No.

1066

REV

0

SCALE: 1:2.25 SHEET: 01 A4