



Submittal Sheet

Aquatic products may be specified as Lasco Bathware.

F1424PCA

CA Title 24 Compliant*

CUSTOMER: _____
 JOB NAME: _____
 PO #: _____
 QUOTE #: _____ QUANTITY: _____
 SHIP TO: _____

_____/_____/_____
 PLUMBING CONTRACTOR APPROVAL DATE

_____/_____/_____
 GENERAL CONTRACTOR APPROVAL DATE

_____/_____/_____
 ENGINEER APPROVAL DATE

_____/_____/_____
 ARCHITECT APPROVAL DATE

STANDARD FEATURES

- Code compliant when fully equipped and installed according to guidelines
- 4-piece
- Center rear drain location
- Slip resistant, textured bottom [ASTM F-462]

CONFIGURATION

- Fully equipped — CA TITLE 24*
 Seat location LH RH
 Includes 1 1/4" L-shaped grab bar, white-cushioned L-shaped fold-up seat, white-cushioned single fold-up seat, pressure balancing mixing and hand-held shower assembly per CA Title 24 guidelines

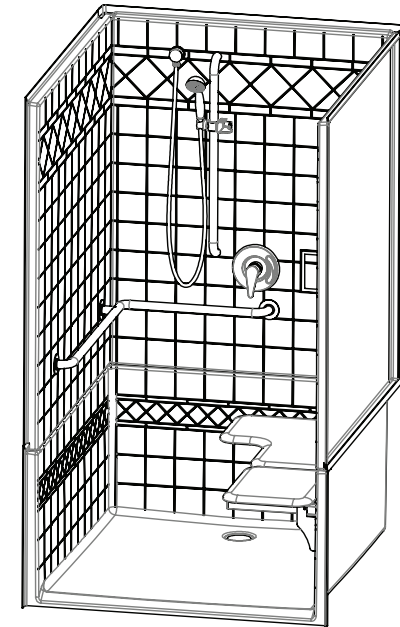
ADDITIONAL OPTIONS

- Fixture Wall LH RH Back Wall
- Horizontal L-shaped grab bar
 - Stainless steel (1 1/4" dia.) Powder-coated white (1 1/4" dia.)
- L-shaped fold-up white-cushioned seat LH RH
- Hand-held shower assembly with 30 slide bar and 60 hose
- Pressure balancing mixing valve
- Soap dish
- Curtain rod
- Shower curtain
- Colors:
 - Standard White
 - Upgraded Almond Biscuit Bone
 - Other (contact customer service for custom color options)
- Brass drain
- Additional accessories _____

For pricing of units and additional options, reference the Aquatic Price Book.

*This configuration may not be compliant in all applications.

Call customer service to confirm CA code compliance.



IMPORTANT: ADA compliant showers with NO interior threshold will have water escape onto the bathroom floor. Aquatic highly recommends you take the following precautions:

1. Install only the minimum number of ADA units without an interior threshold required for each job. If possible install Aquatic's accessible models that have a 1/2 (15) interior threshold to reduce the amount of water that escapes from the shower.
2. When installing units with NO interior threshold, install a FLOOR DRAIN to control the water that escapes onto the bathroom floor.
3. Depending on your application, you may choose to install Aquatic's vinyl flexible dam or removable threshold, which helps better retain water within the shower. However, these items may not necessarily meet ADA or other code requirements. Always confirm code compliance with your local building authority.

| | |
|--------------|---|
| Int. Dim. | 42 W x 48 D x 75 1/8 H |
| Ext. Dim. | 45 3/4 W x 51 1/8 D x 77 5/8 H |
| Skirt Ht. | 3/4 skirt, No interior threshold |
| Packaged Wt. | 256 lbs. gross |
| Material | AcrylX™ applied acrylic |
| Warranty | AcrylX™ Finished Products — Lifetime Limited (30 year commercial) |

inches

To complete your order, this document must be signed and faxed to the Aquatic Centralized Customer Service Center.

Fax (866) 544-5353 • Phone (800) 945-2726

For pricing of units and additional options, reference the Aquatic Price Book. • Please indicate custom changes on reverse side drawings.

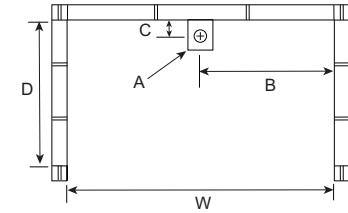
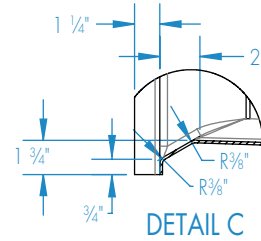


Submittal Sheet

Aquatic products may be specified as Lasco Bathware.

F1424PCA CA Title 24 Compliant*

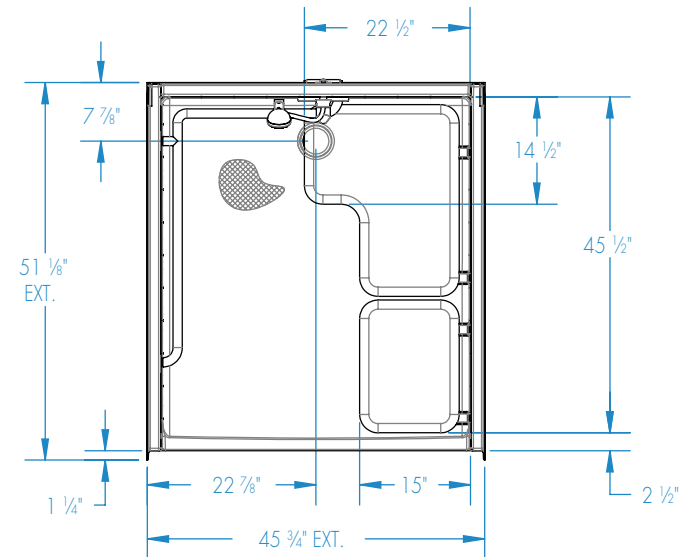
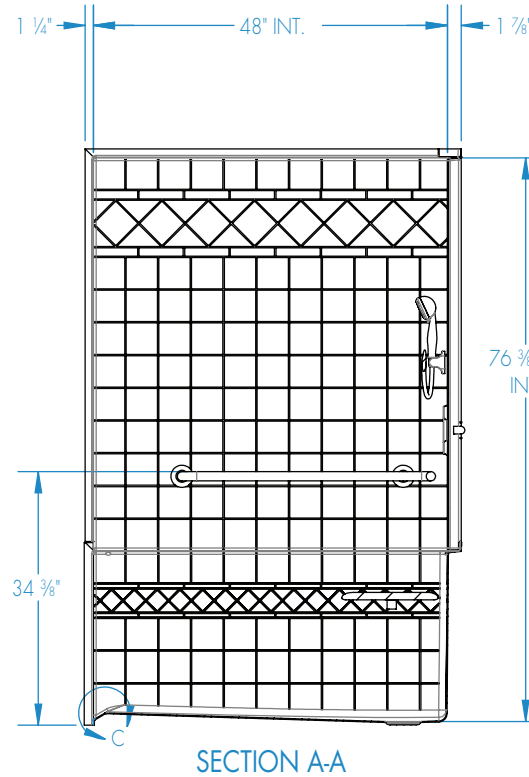
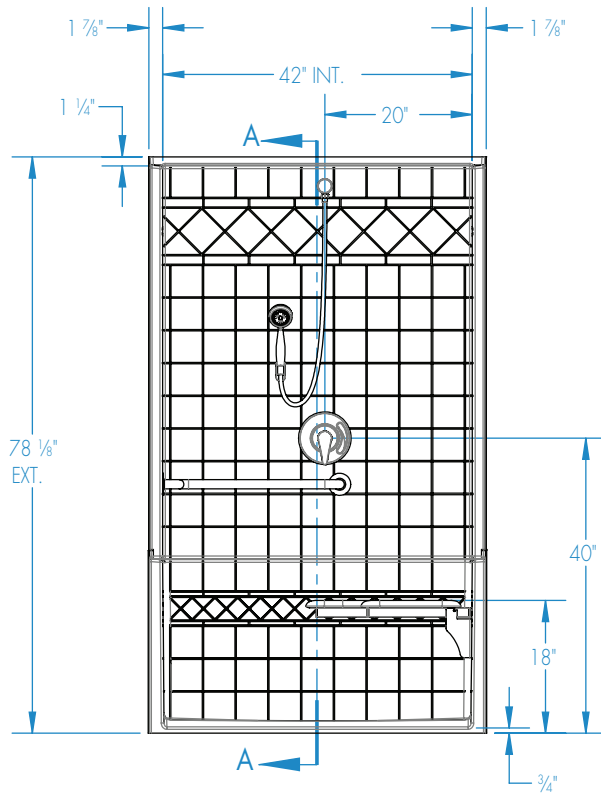
Please indicate changes needed.



FRAMING DIMENSIONS inches

| Type | D Depth | W Width | A | B | C |
|--------|------------|------------|---------|---------|--------|
| Alcove | 51 1/8" | 45 7/8" | Box Out | 22 7/8" | 7 7/8" |

- Installation Options:**
1. Install in a recessed pit for rough-in floor installation.
 2. Build sub-floor to level finished floor with top of shower threshold.



Shell tolerance: +0, -3/8" All other tolerances: ±1"