

MODEL NUMBER:

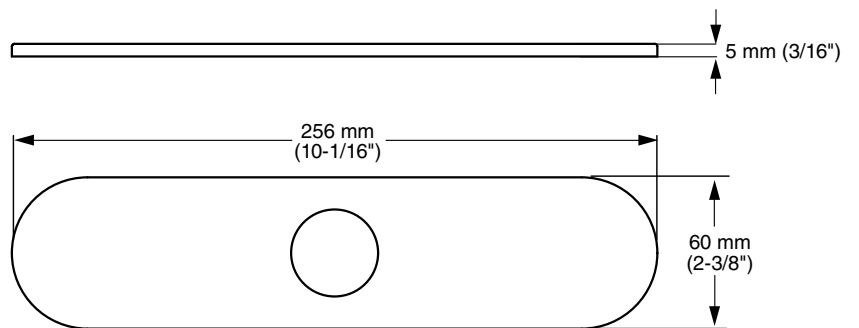
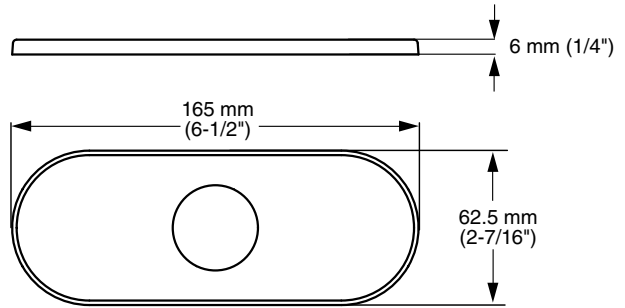
- ❑ **70204P0 4" Deck Plate**
Metal construction with putty plate.
- ❑ **70208P0 8" Deck Plate**
Metal construction with putty plate.

GENERAL DESCRIPTION:

Metal deck plate for use with single post Clean-IR™ Sensor faucets.

PRODUCT FEATURES:

- For use with Clean-IR™ Sensor-Operated faucets
- Metal construction with putty plate
- **4" Deck Plate** Dimensions:
6-1/2" x 2-1/2" x 1/4" (165 x 63 x 6 mm)
- **8" Deck Plate** Dimensions:
10" x 2-1/2" x 3/16" (256 x 60 x 5 mm)



FINISHES:

Polished Chrome	.002
Brushed Nickel	.295

SUGGESTED SPECIFICATION

The deck plate shall be metal construction with putty plate. Fitting shall be American Standard Model # 7020_P0.