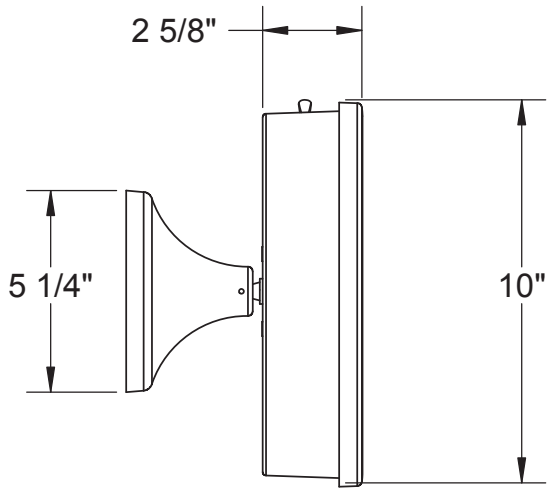




Catalog Number: IS1-H

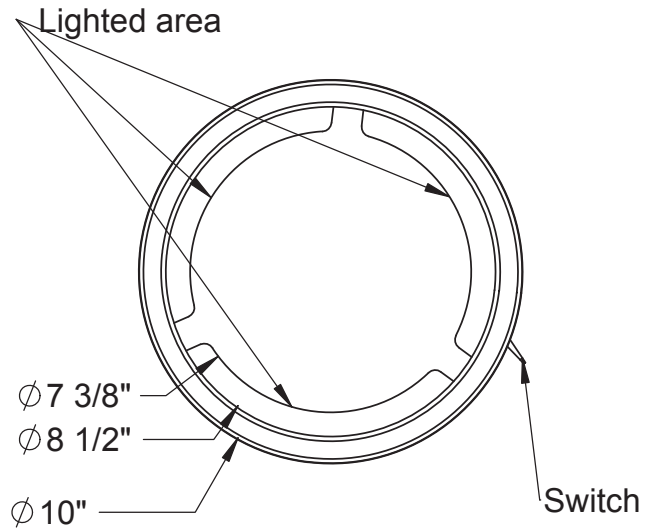
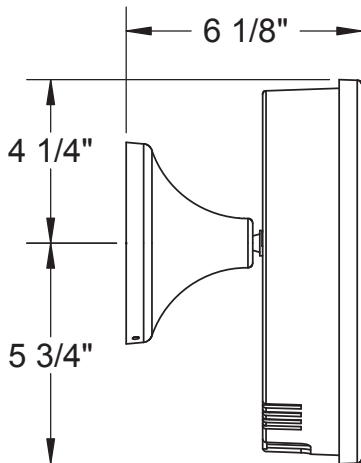
Baci At Home

IS1-H

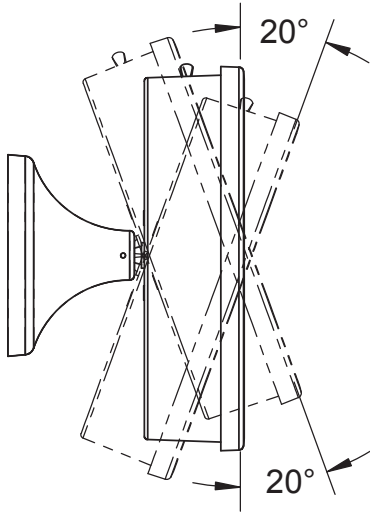


The center of the mirror body is 3/4" below the center of the outlet box. Since the typical user's eye height 18 58 3/4" the outlet box should be centered 59 1/2" above the floor

This mirror is entirely constructed of Lexan, stainless steel and other rust-resistant materials. Thus it is well suited for use in ocean front or other corrosive atmospheres



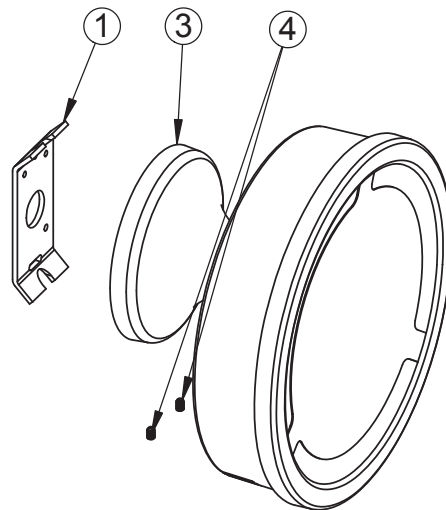
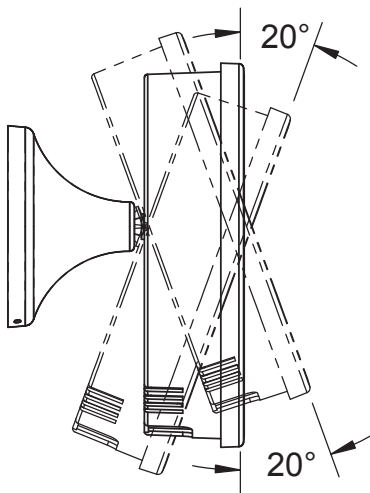
Top view
Mirror swivels left to right



Installation

- 1) Attach the backplate to the outlet box
- 2) Connect wires - green to ground, white to neutral and black to line
- 3) Place the canopy over the backplate
- 4) Secure the mirror with the 2 setscrews in the canopy

Side view
Mirror tilts up and down



IS1-H — Tilt Swivel Wall Mirror



Product Category	Baci Classic Mirrors
Special Features	Optical quality 3, 5 or 7X glass mirrors Natural white LED lighting Corrosion resistant construction 5 year warrantee
Lighting	Halo Light - High power incandescent
Lumens	120
Color Temperature	2500°K
Color Rendering Index	98
Electrical	
Watts	40
Volts	120
Hertz	60
Amps	.33
UL Listing	Furnishing - suitable for commercial or residential use in damp locations (USC)
Dimensions	Mirror body 10" diameter Canopy is 5 1/4" diameter Projection 4 3/4"
Basic Model	IS1-H-WB-3X
Body Types	White Lexan body Epoxy body Metal body
Magnification	3X 5X 7X-Call for details
Finish Options	Standard Chrome Premium Satin Nickel, Bronze or Brass Custom Polished Nickel, Copper Antique Brass, etc. Gold 24KT Gold, Kohler Vibrant Brushed Bronze, etc.

Other Models in this Family

IS1-LED LED Lighting



IS1-X Unlighted

