

RESORT 650 WALL-HUNG

Cat. No.
4-108X



Faucet Not Included



Mounting hardware

Width: 25-5/8"
Depth: 18-1/8"
Height: 4-3/4"

***Please do NOT drill hole without
template or actual product.**

Interior Dimensions:

Basin interior: 20-1/2" X 11"
Basin depth: 4-1/2"
Back of basin to center of faucet: 2-1/4"
Back of basin to center of drain: 8-1/4"
Mount holes cc: 11"
Faucet hole diameter: 1-3/8"

Features:

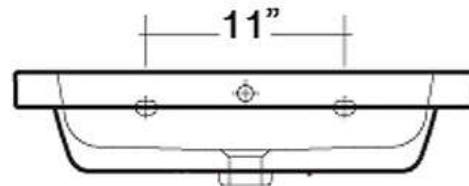
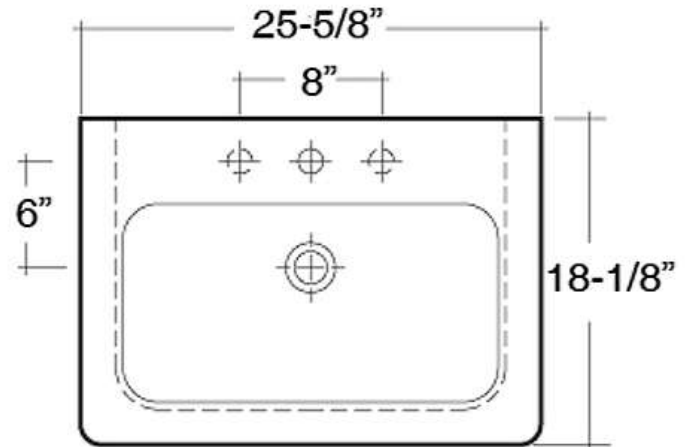
- ▶ Vitreous China
- ▶ Available for 1-hole (**4-1081WH**), **4" centerset (4-1084WH)** and **8" widespread (4-1088WH)**
- ▶ Pre-drilled overflow hole
- ▶ Mounting hardware included

Colors:

WH White

Compliance Certification

Meets or exceeds the following specifications: ASME A112.19.2 2013 and CSA B45.1-13 for plumbing fixtures.



Dimensions of fixture are nominal and may vary within the range of tolerances established by ANSI Standard A112.19.2. Dimensions and specifications subject to change without notice.