



California Faucets®

Hermosa®

TRADITIONAL WALL MOUNT TUB FILLER WITH HANDSHOWER

Features

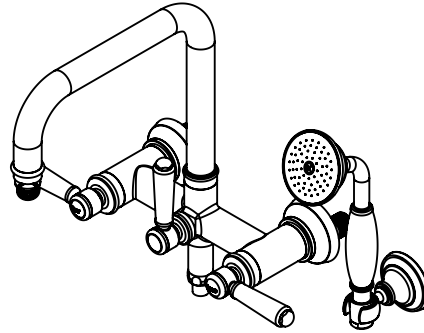
- Available in 28 finishes including 13 PVD finishes
- All brass construction
- Tub filler: Maximum flow rate: 15 gpm (60.6 L/min) at 60 psi
- Handshower: Max flow rate 2.0 gpm (7.6 L/min)
- 1/4 turn ceramic disc cartridges
- Replace "XX" with desired handle series

Codes/Standards

Product meets or exceeds the following:

- ASME A112.18.1/CSA B125.1
- CEC (1.8 gpm) / DOE (2.0 & 1.8 gpm)
- Commonwealth of MA
- EPA WaterSense (2.0 gpm)
- ADA compliant (with lever handles)
- Local codes may require installation of an upstream tempering valve

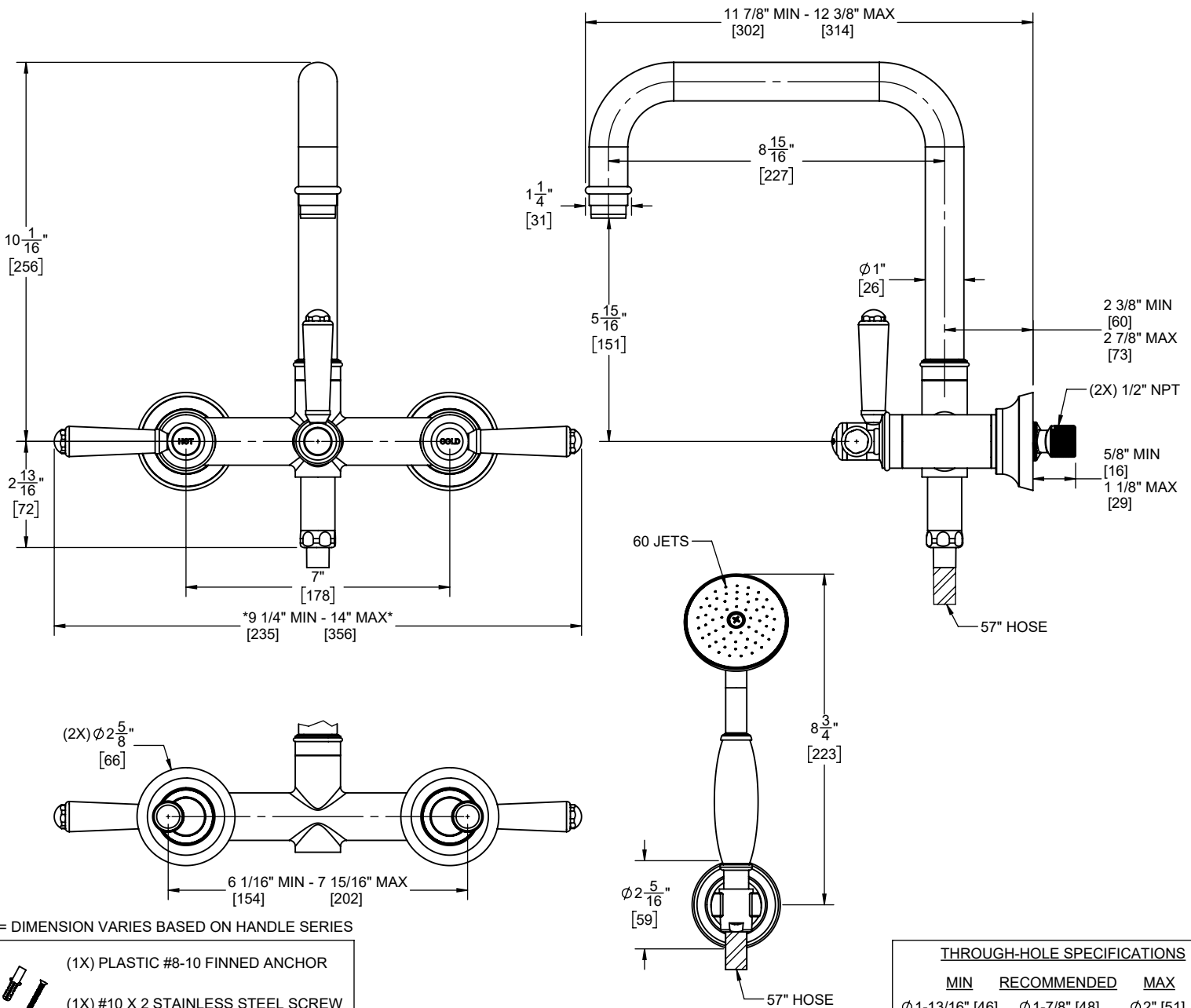
1406-XX.13M.20
 1406-XX.13M.18
 1406-XX.20
 1406-XX.18



1406-33.13M.FR shown



XX = DENOTES HANDLE SERIES



* = DIMENSION VARIES BASED ON HANDLE SERIES

- (1X) PLASTIC #8-10 FINNED ANCHOR
- (1X) #10 X 2 STAINLESS STEEL SCREW

THROUGH-HOLE SPECIFICATIONS		
MIN	RECOMMENDED	MAX
Ø 1-13/16" [46]	Ø 1-7/8" [48]	Ø 2" [51]

DIMENSIONS SHOWN TO NEAREST 1/16" [DIMENSIONS SHOWN TO NEAREST 1MM]

SPECIFICATIONS SUBJECT TO CHANGE WITHOUT NOTICE