



California Faucets®

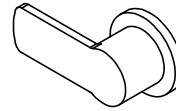
# Arpeggio™

## TWO HANDLE TUB OR SHOWER TRIM

### Features

- Solid brass construction
- Less head, arm, flange, and spout
- Requires rough valve: 2-VR or VL-R (sold separately)
- Over 30 finishes including 15 PVD finishes

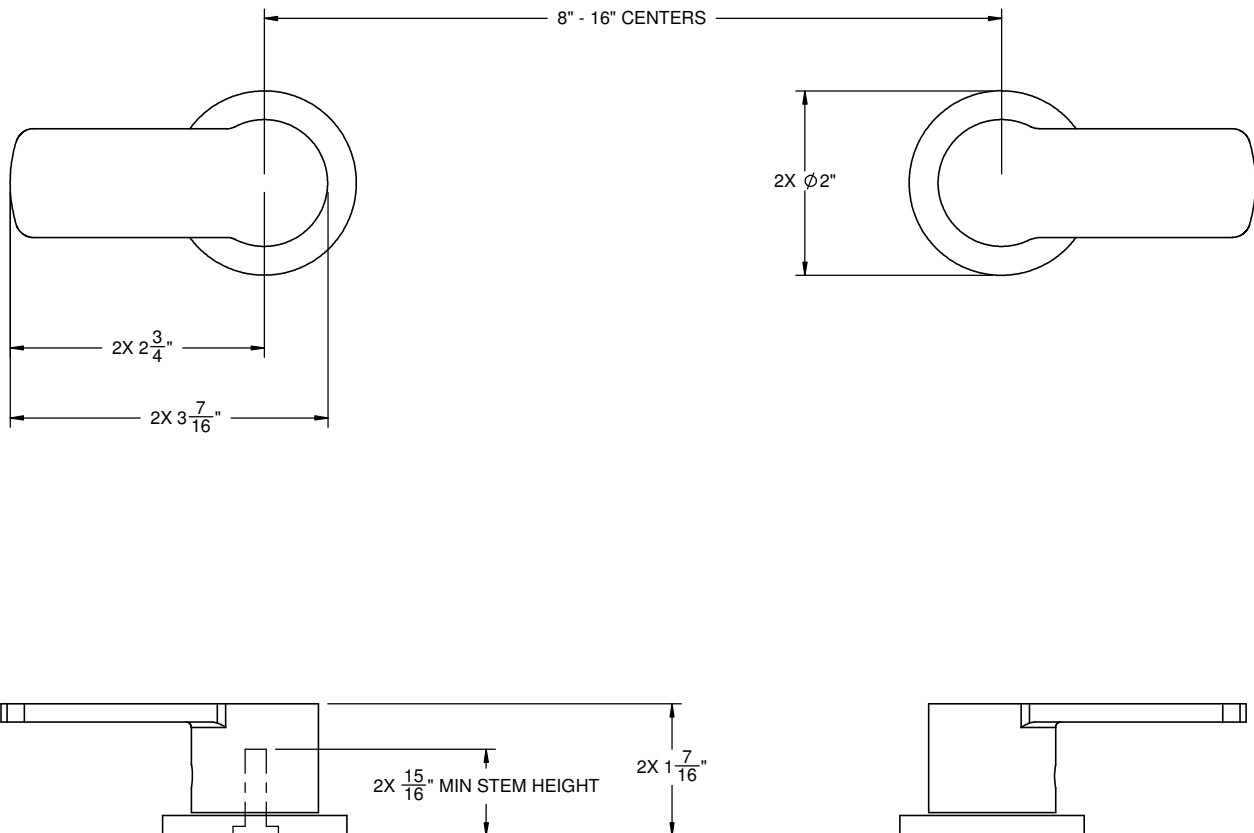
### TO-E406L



### Codes/Standards Applicable

Product meets or exceeds the following:

- ASME A112.18.1/CSA B125.1



ALL DIMENSIONS SHOWN TO NEAREST 1/16"