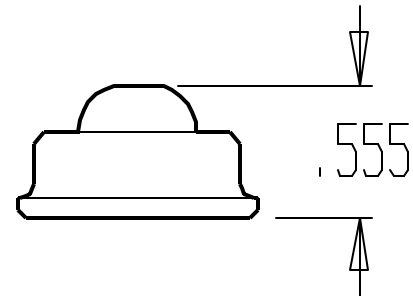
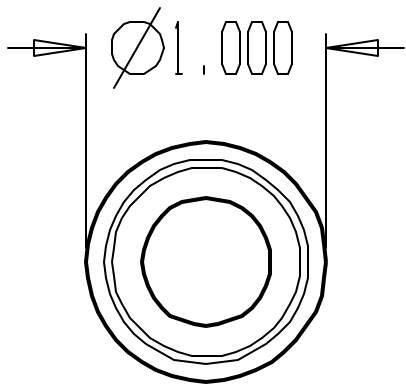


DWG NO:

SH REV

REVISIONS

| ZONE | REV | FINISHES: | DATE | APPROVED |
|------|-----|-------------------------|------|----------|
| | | 605, 606, 613, 625, 626 | | |



DON-JO MFG. INC.

DESIGNER

APPROVED

SIZE
A

DATE:
2/10/04

PART NO.
#1400

REV

SCALE

RELEASE DATE

WEIGHT

SHEET