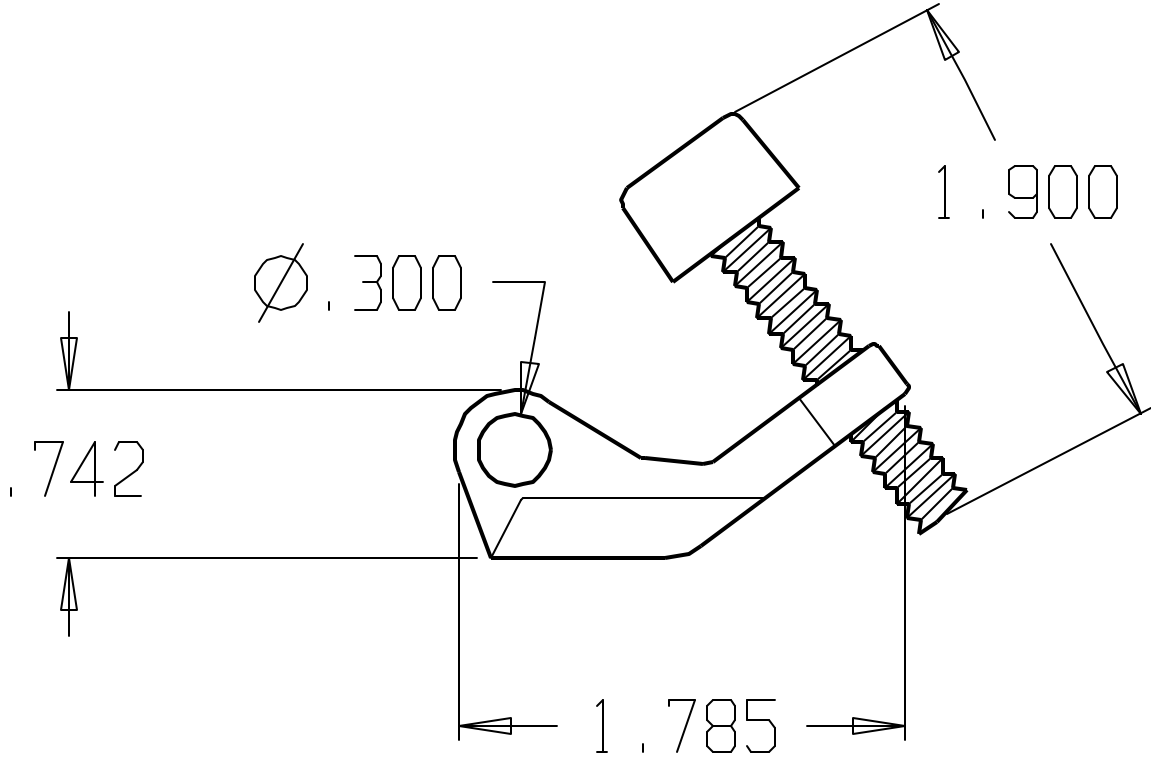


REVISIONS			
ZONE	REV	FINISHES:	DATE
		605, 609, 619, 620, 625	
		APPROVED	



DON-JO MFG. INC.

DESIGNER	SCALE	DATE:	RELEASE DATE	PART NO.	WEIGHT	REV
		A	3/23/04	#1503		
APPROVED				SHEET		