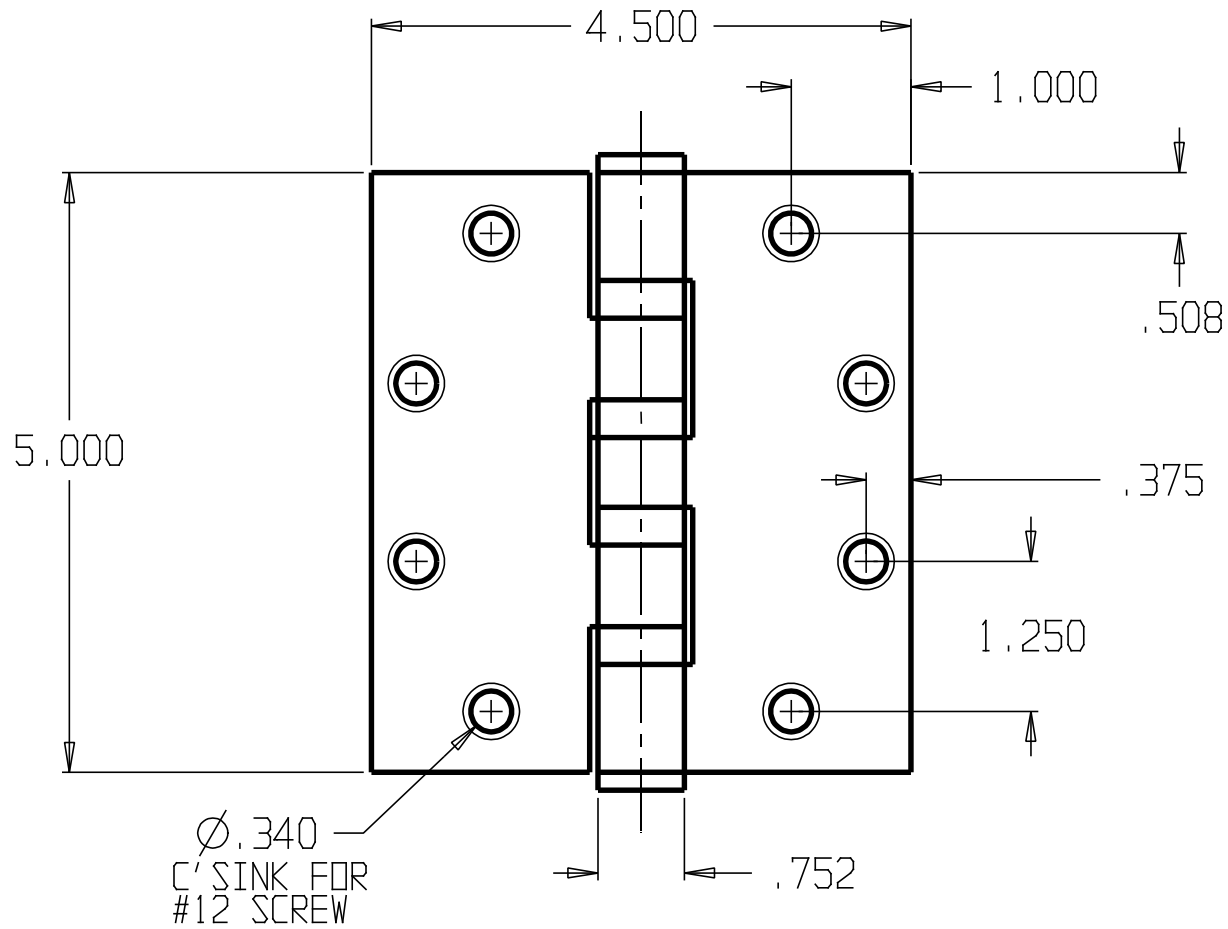


REVISIONS		
ZONE	REV	FINISHES:
		652
		GUAGE: .190



DON-JO MFG. INC.

DESIGNER	SIZE A	DATE: 1/14/05	PART NO. HWBB-75045	REV
APPROVED	SCALE	RELEASE DATE	WEIGHT	SHEET