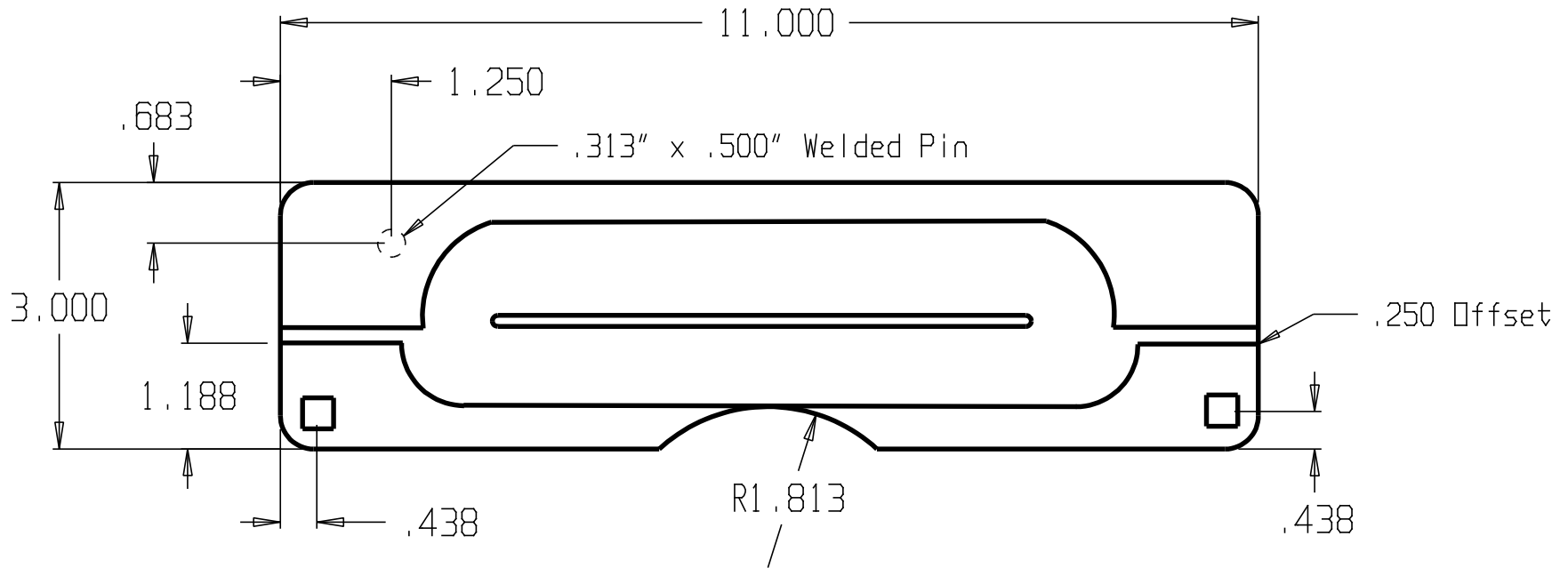


REVISIONS		
ZONE	REV	FINISHES:
		626, BP, DU & SL
		GAUGE:
		12ga. .104



DON-JO MFG. INC.

DESIGNER	SIZE	DATE:	PART NO.	REV
	A	5/28/04	PLP-211	
APPROVED	SCALE	RELEASE DATE	WEIGHT	SHEET