



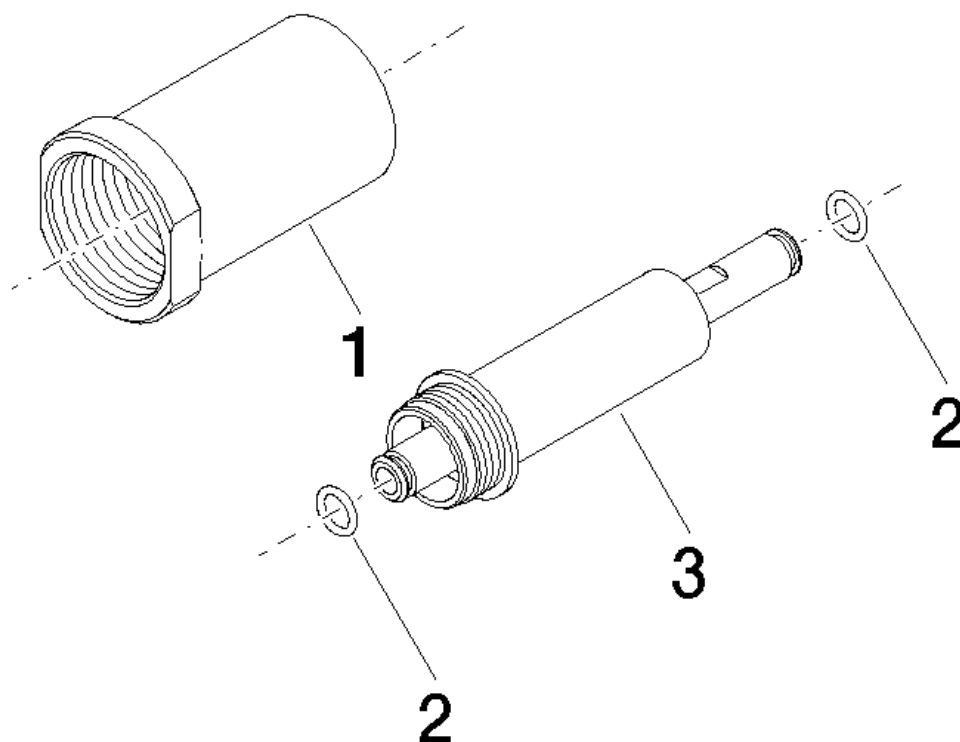
Product specifications

For wall-mounted single-lever single-hole lavatory mixer 35 003 970 90

Surfaces

- 12179970-900010

Exploded assembly drawing





Order quantity

No.	Article number	Name	Installation quantity
1	09210212990	sleeve	1
2	09141013990	seal	2
3	0924042111090	nipple	1