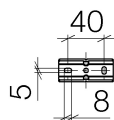
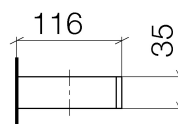
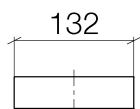
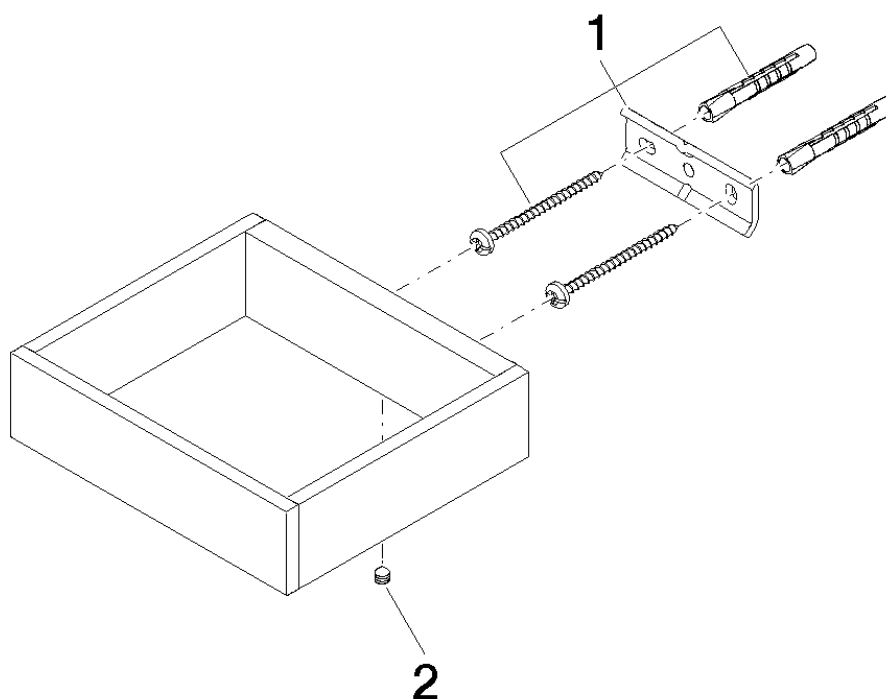


MEM Reserve tissue holder

Article number: 83590780



Exploded assembly drawing



MEM Reserve tissue holder

Article number: 83590780



Order quantity

No.	Article number	Name	Installation quantity
1	0517207180090	fixing set	1
2	0431111120090	pin	1