



Sink - Meta

Lavatory spout, wall-mounted without drain - polished chrome

Article number: 13 800 882-00 0010



- 7-1/2" Projection
- Rigid spout
- Round aerated stream
- 1-5/8" hole diameter
- Flange diameter 2-3/8"
- 1/2" connection
- Plug-in connection mounting
- Water flow rate limited to max. 1.2 gpm
- lead-free
- For Touchfree control please order eSet Touchfree WITH or WITHOUT temperature adjustment



polished chrome

Accessory is required for this item.

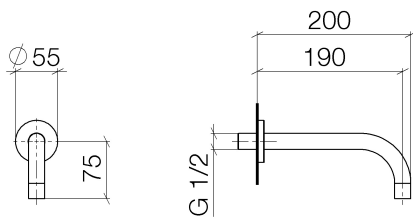


Sink - Meta

Lavatory spout, wall-mounted without drain - polished chrome

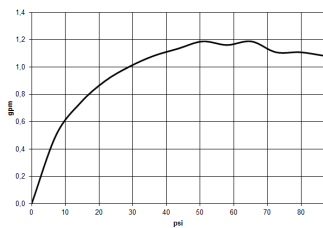
Article number: 13 800 882-00 0010

Dimensional drawing



All dimensions in mm / inch = mm x 0,0394

Flow rate chart





Sink - Meta

Lavatory spout, wall-mounted without drain - polished chrome

Article number: 13 800 882-00 0010

Other surface finishes



Brushed Durabronze
13 800 882-28 0010



Dark Platinum matte
13 800 882-99 0010

More custom finish options are available via special production (xTra Service). Please see our finish matrix for availability and pricing or contact a Dornbracht representative.

Required article



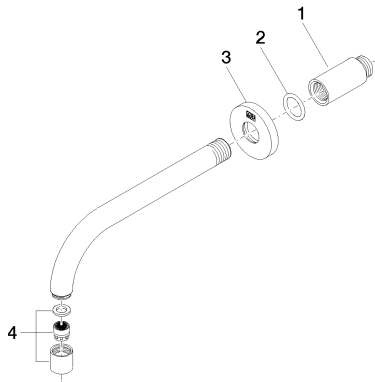
35 080 970-90 0010
Rough-in adapter -

Sink - Meta

Lavatory spout, wall-mounted without drain - polished chrome

Article number: 13 800 882-00 0010

Spare parts list



Number	Item Number	Designation	Number of units
1	09 24 03 081 10 90	extension	1
2	09 14 10 026 90	seal	1
3	09 27 22 503-00	rosette	1
4	90 23 01 019 02-00	aerator	1