



DXV MODULUS™

WIDESPREAD LAVATORY FAUCET



CALGreen

- Sleek, modern design with fluid and balanced proportions
- Features a decorative base ring with a two tone finish in either Polished Chrome or Brushed Nickel, depending on the Faucet finish selected • Modern cast brass spout and side valves
- Cast brass spout and side valves
- Ceramic disc valve cartridges
- 8" centers
- Flexible hose connections for 6"-12" installations
- Lead Free—faucet contains ≤0.25% total lead content by weighted volume
- Maximum flow rate: 1.2 gpm (4.5 L/min)
- Red and Blue (hot/cold) indicator markings on handles

CODES AND STANDARDS

Meets or Exceeds ASME A112.18.1/
CSA B125.1/NSF 61/Section 9

EPA WaterSense® High Efficiency
Lavatory Faucet Specification

Certified Compliant with 0.25% Weighted
Average Lead Content Regulations

AVAILABLE FINISHES

Polished Chrome
Brushed Nickel
Platinum Nickel

FINISH CODE

100
144
150

DESCRIPTION

Widespread Faucet

PRODUCT NUMBER

D35120802RB.XXX

ROUGH-IN DIAGRAM
SHOWN ON NEXT PAGE

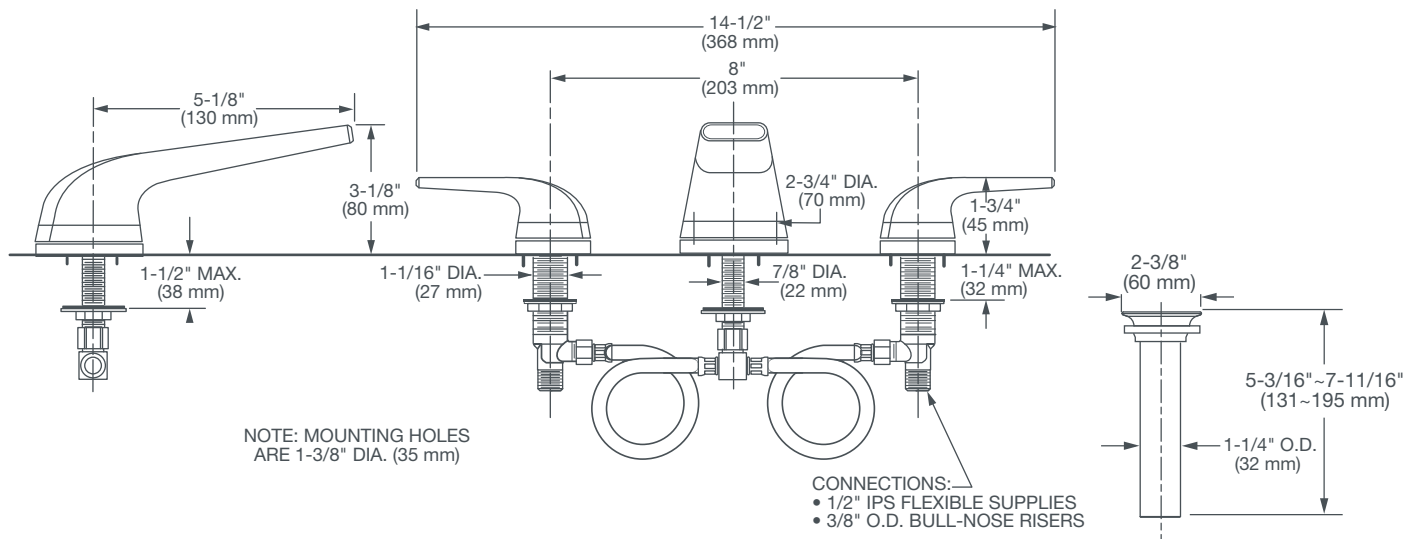


Meets the Americans with Disabilities Act
Guidelines and ANSI A117.1 Requirements
for the physically challenged.



DXV MODULUS™

WIDESPREAD LAVATORY FAUCET



IMPORTANT: These measurements are subject to change or cancellation. No responsibility is assumed for use of superseded or voided pages.

PART OF LIXIL

©2017 AS America Inc.

www.d xv.com