

KEEFE®

SINGLE LEVER AND VESSEL LAVATORY FAUCETS



- Cast brass spout and body with exposed water delivery
- Ceramic disc valve cartridge
- 3/8" Compression braided, stainless steel flexible supply hose
- Speed Connect® with 1-1/4" drain
- Lead Free—faucet contains $\leq 0.25\%$ total lead content by weighted volume
- Maximum flow rate: 1.5 gpm (5.7 L/min)
- Low flow rate: 1.2 gpm (4.5 L/min)

CODES AND STANDARDS

Meets or Exceeds ASME A112.18.1/
CSA B125.1/NSF 61/Section 9

EPA WaterSense® High Efficiency
Lavatory Faucet Specification

Certified Compliant with 0.25% Weighted
Average Lead Content Regulations

AVAILABLE FINISHES

Polished Chrome
Brushed Nickel

FINISH CODE

100
144



DESCRIPTION

1.5 gpm (5.7 L/min)
Single Control Monoblock
Lavatory Faucet
Single Control Monoblock
Vessel Faucet
1.2 gpm (4.5 L/min)
Single Control Monoblock
Lavatory Faucet
Single Control Monoblock
Vessel Faucet

PRODUCT NUMBER

D35104100.XXX
D35104150.XXX
D3510410C.XXX
D3510415C.XXX

ROUGH-IN DIAGRAM
SHOWN ON NEXT PAGE

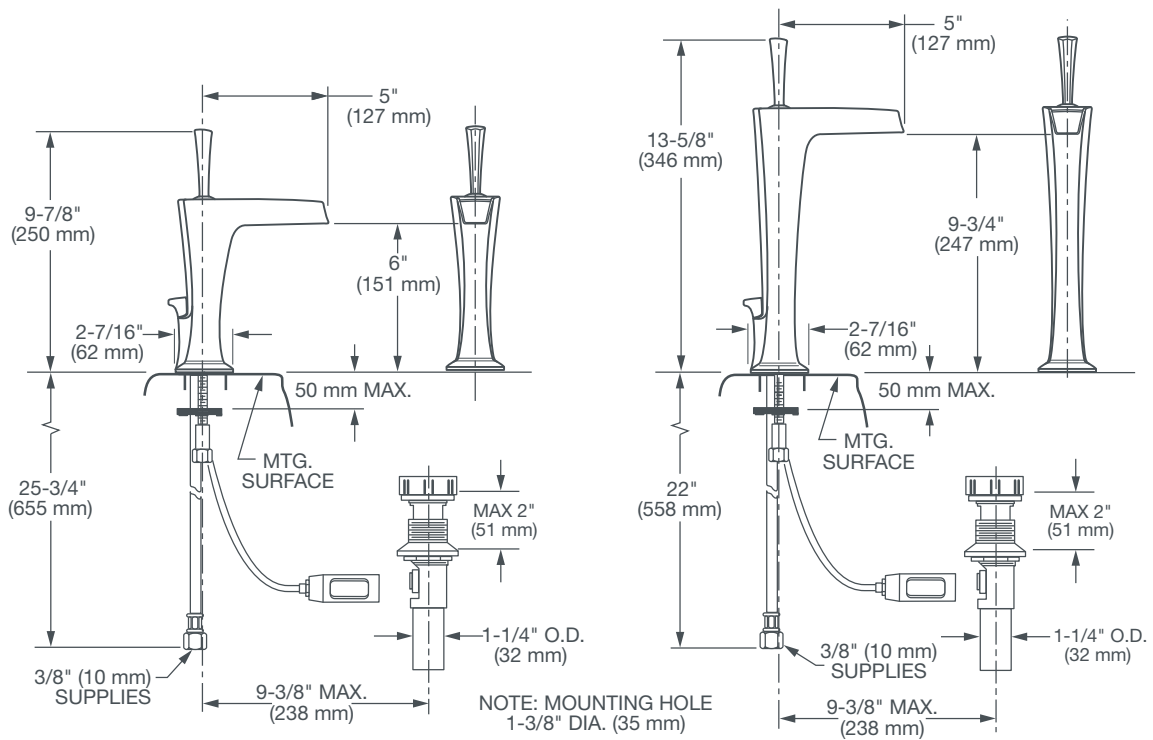


Meets the Americans with Disabilities Act
Guidelines and ANSI A117.1 Requirements
for the physically challenged.



KEEFE®

SINGLE LEVER AND VESSEL LAVATORY FAUCETS



IMPORTANT: These measurements are subject to change or cancellation. No responsibility is assumed for use of superseded or voided pages.

PART OF LIXIL