



# FITZGERALD™

## 3-HANDLE THERMOSTATIC VALVE TRIM



- 1/8" Thin profile
- Forged brass escutcheon plate
- Brass handles
- Concealed mounting hardware
- Rough-in valve sold separately

### CODES AND STANDARDS

Meets or Exceeds ASME A112.18.1/CSA B125.1

### DESCRIPTION

3-Handle Thermostatic Valve Trim Kit

### PRODUCT NUMBER

D35160537.XXX

### REQUIRED VALVE OPTIONS

3-Handle Thermostatic Rough Valve with 2 Volume Controls

D35005532.191

3-Handle Thermostatic Rough Valve with 2-Way Diverter  
*(Discrete Functions)*

D35005533.191

3-Handle Thermostatic Rough Valve with 2-Way Diverter  
*(Shared Functions)*

D35005533S.191

### AVAILABLE FINISHES

Polished Chrome  
Brushed Nickel  
Platinum Nickel

### FINISH CODE

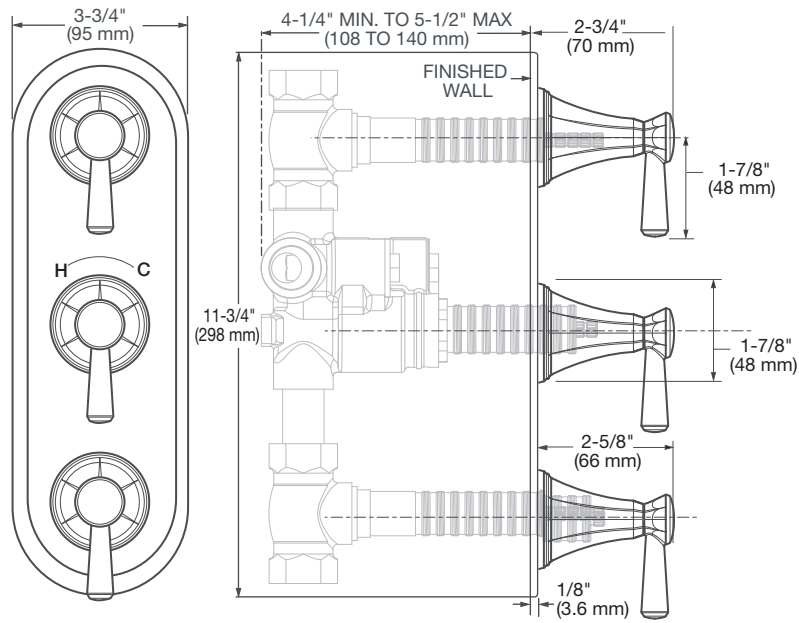
100  
144  
150

ROUGH-IN DIAGRAM  
SHOWN ON NEXT PAGE



# FITZGERALD™

## 3-HANDLE THERMOSTATIC VALVE TRIM



**IMPORTANT:** These measurements are subject to change or cancellation.  
No responsibility is assumed for use of superseded or voided pages.

PART OF LIXIL

©2018 AS America Inc.

8/18

www.dxv.com