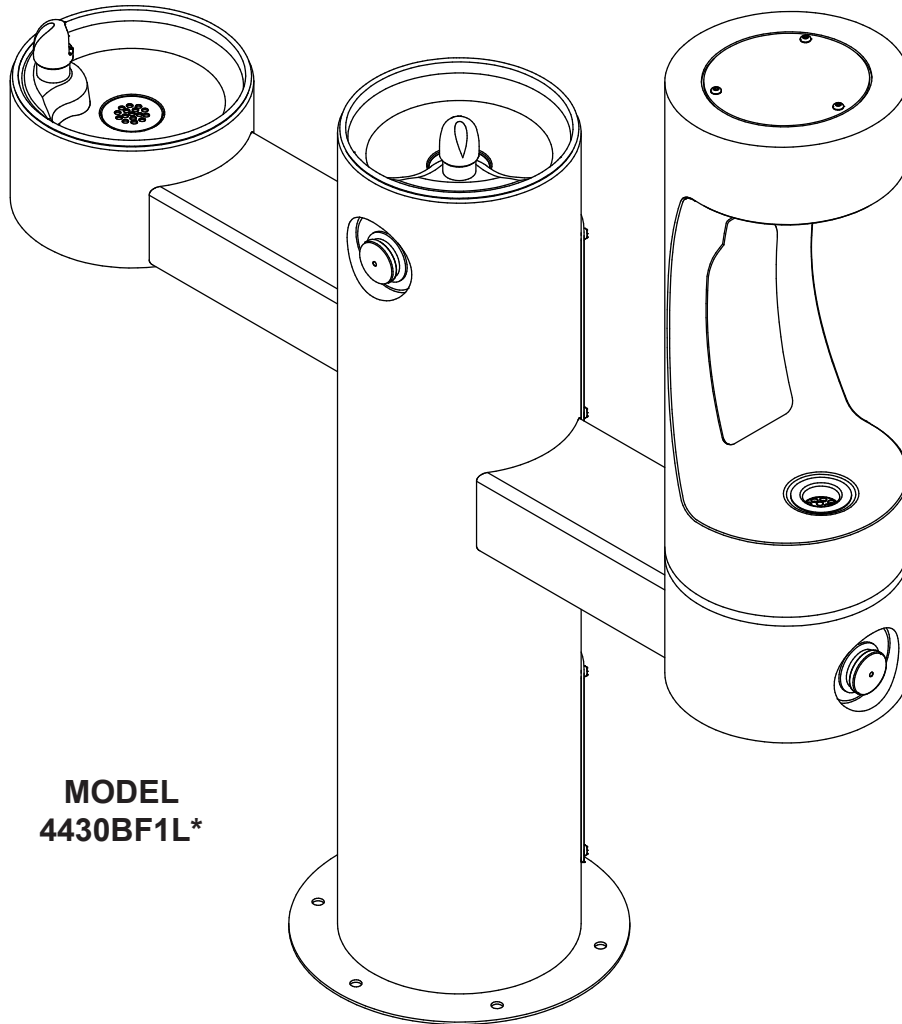


# Owners Manual

**Models 4430BF1L\*, 4430BF1U\* and 4430BF1M\***  
**Floor Mounted Tri-Level Bottle Filling Tubular Fountain**



## INSTALLER

4430BF Fountains are among the easiest to install Fountains on the market today. To assure you install these models easily and correctly, PLEASE READ THESE SIMPLE INSTRUCTIONS BEFORE STARTING THE INSTALLATION. CHECK YOUR INSTALLATION FOR COMPLIANCE WITH PLUMBING, ELECTRICAL, AND OTHER APPLICABLE CODES. After installation, leave these instructions with the Fountain for future reference.

# INSTALLATION INSTRUCTIONS

## IMPORTANT

**ALL SERVICE TO BE PERFORMED BY AN AUTHORIZED SERVICE PERSON**

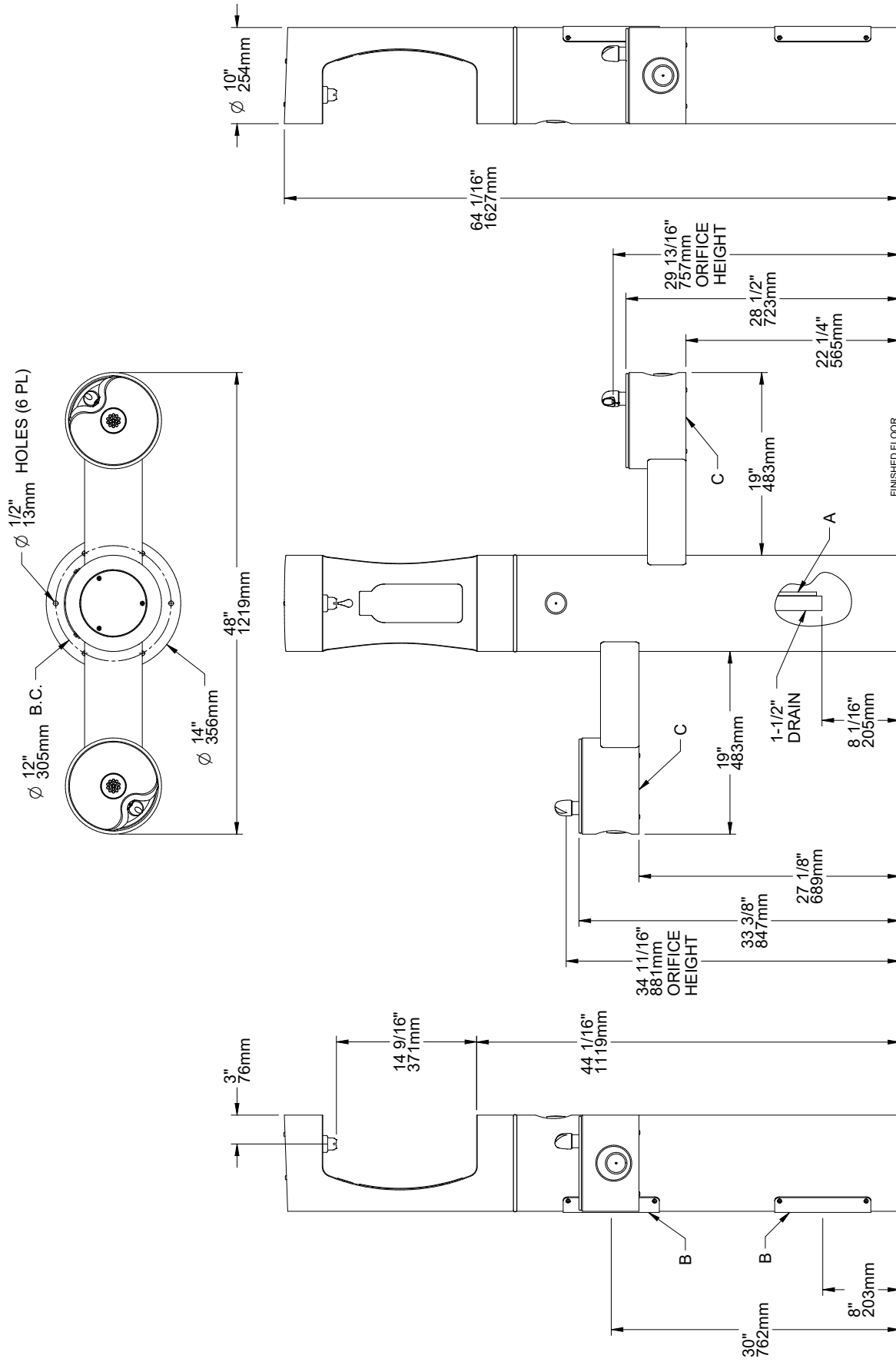
### **IMPORTANT! INSTALLER PLEASE NOTE.**

THE GROUNDING OF ELECTRICAL EQUIPMENT SUCH AS TELEPHONE, COMPUTERS, ETC. TO WATER LINES IS A COMMON PROCEDURE. THIS GROUNDING MAY BE IN THE BUILDING OR MAY OCCUR AWAY FROM THE BUILDING. THIS GROUNDING CAN CAUSE ELECTRICAL FEEDBACK INTO A FOUNTAIN, CREATING AN ELECTROLYSIS WHICH CAUSES A METALLIC TASTE OR AN INCREASE IN THE METAL CONTENT OF THE WATER. THIS CONDITION IS AVOIDABLE BY USING THE PROPER MATERIALS AS INDICATED. ANY DRAIN FITTINGS PROVIDED BY THE INSTALLER SHOULD BE MADE OF PLASTIC TO ELECTRICALLY ISOLATE THE FOUNTAIN FROM THE BUILDING PLUMBING SYSTEM.

1. This fountain is to be mounted on a smooth, flat, finished surface with adequate support structure. NOTE: Mounting structure must be capable of supporting 300 lb. load on fountain.
2. Refer to rough-in for plumbing.
3. Install shut-off valve on water supply. (Valve not furnished)
4. Locate and install fountain using 3/8" minimum fasteners, (Fasteners not furnished).
5. Prior to installing the bottle filler to the center mounting position of fountain, insert drain pipe (Item #11) by positioning the short end of drain pipe through mounting plate of bottle filler. Next, place the aesthetic collar (Item # 26) onto the center mounting position of the fountain ensuring the vertical edge of the collar is upright and the curved edge sits below the mounting surface. Mount bottle filler to fountain with collar centered between the two pieces. Secure with supplied hardware.
6. Prior to installing the bottle to the arm mount of fountain, insert the drain pipe (Item #10) into the arm tunnel and adjust drain to lean to the left side of the arm when facing the button. Next, place the aesthetic collar (Item # 26) onto the arm mounting position of the fountain ensuring the vertical edge of the collar is upright and the curved edge sits below the mounting surface. Mount bottle filler to arm with collar centered between the two pieces. Install bottle filler to arm being sure drain tube is above mounting plate of filler. Secure filler to fountain with supplied hardware.
7. Connect fountain to supply line with a shut-off valve and install a 3/8" unplated copper water line between the valve and the fountain. Remove any burrs from outside of water line. Push the tubes straight into the fittings until they reach a positive stop, approximately 3/4" (See Fig. 2). DO NOT SOLDER TUBES INSERTED INTO PLASTIC FITTINGS AS DAMAGE TO THE O-RINGS MAY RESULT.
8. Water supply 3/8" O.D. unplated copper tube. Waste 1-1/2" IPS. Contractor to supply waste trap and service stop valve in accordance with local code.
9. Connect water supply and fountain drain. Connect drain waste "Tee" to fountain drain tubes. Connect outlet of "Tee" to drainage system. Water connection and drain must comply with local codes.
10. Turn on water supply and check all connections for leaks. Threaded drain fittings may require thread sealer to create a leak free connection. Apply thread sealer to threaded connection fittings only, not the slip connection fittings.

**CAUTION:** This fountain is rated for inlet water pressure of 20-105 PSI. A pressure reducing regulator should be used if the inlet water supply exceeds 105 PSI. Any damage caused by reason of connecting this product to supply line pressures lower than 20 PSI or higher than 105 PSI is not covered by warranty.

11. Connecting lines to be made of unplated copper and should be thoroughly flushed to remove all foreign matter before being connected to fountain. This fountain is manufactured in such a manner that it does not in any way cause taste, odor, color, or sediment problems.

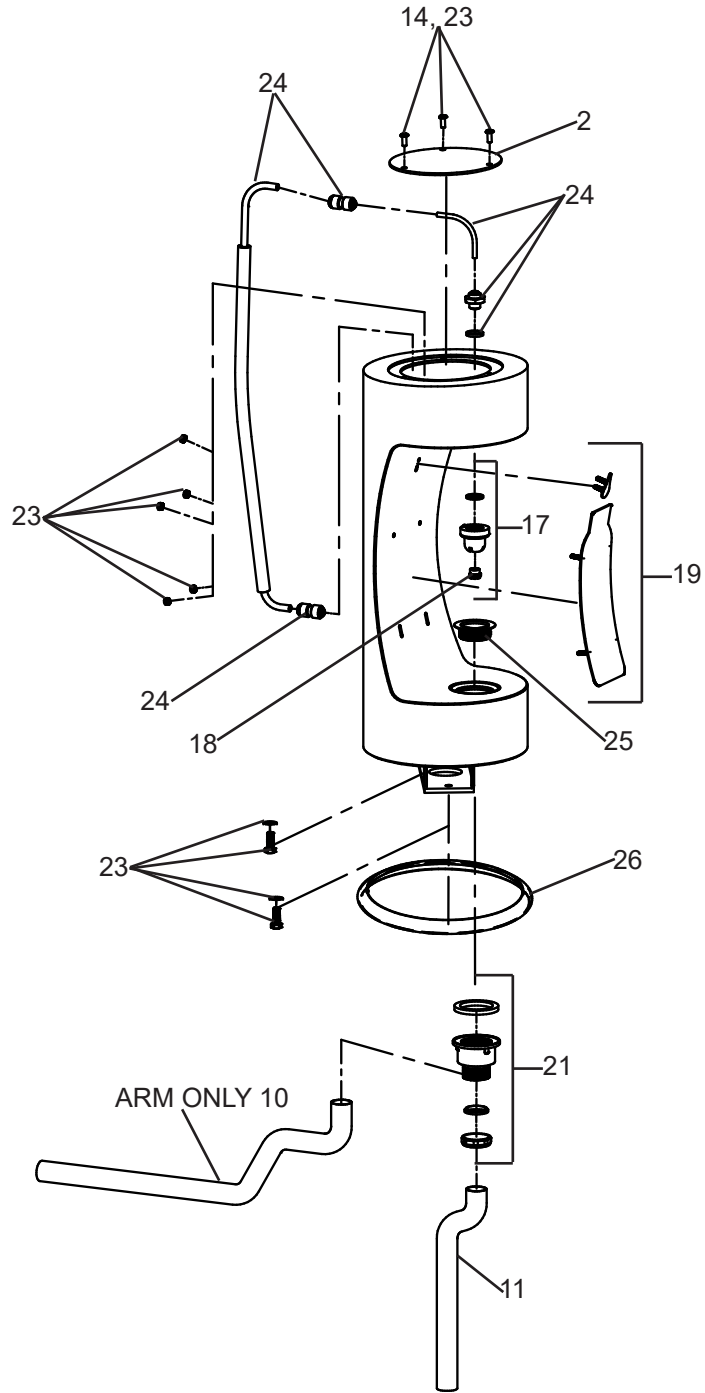


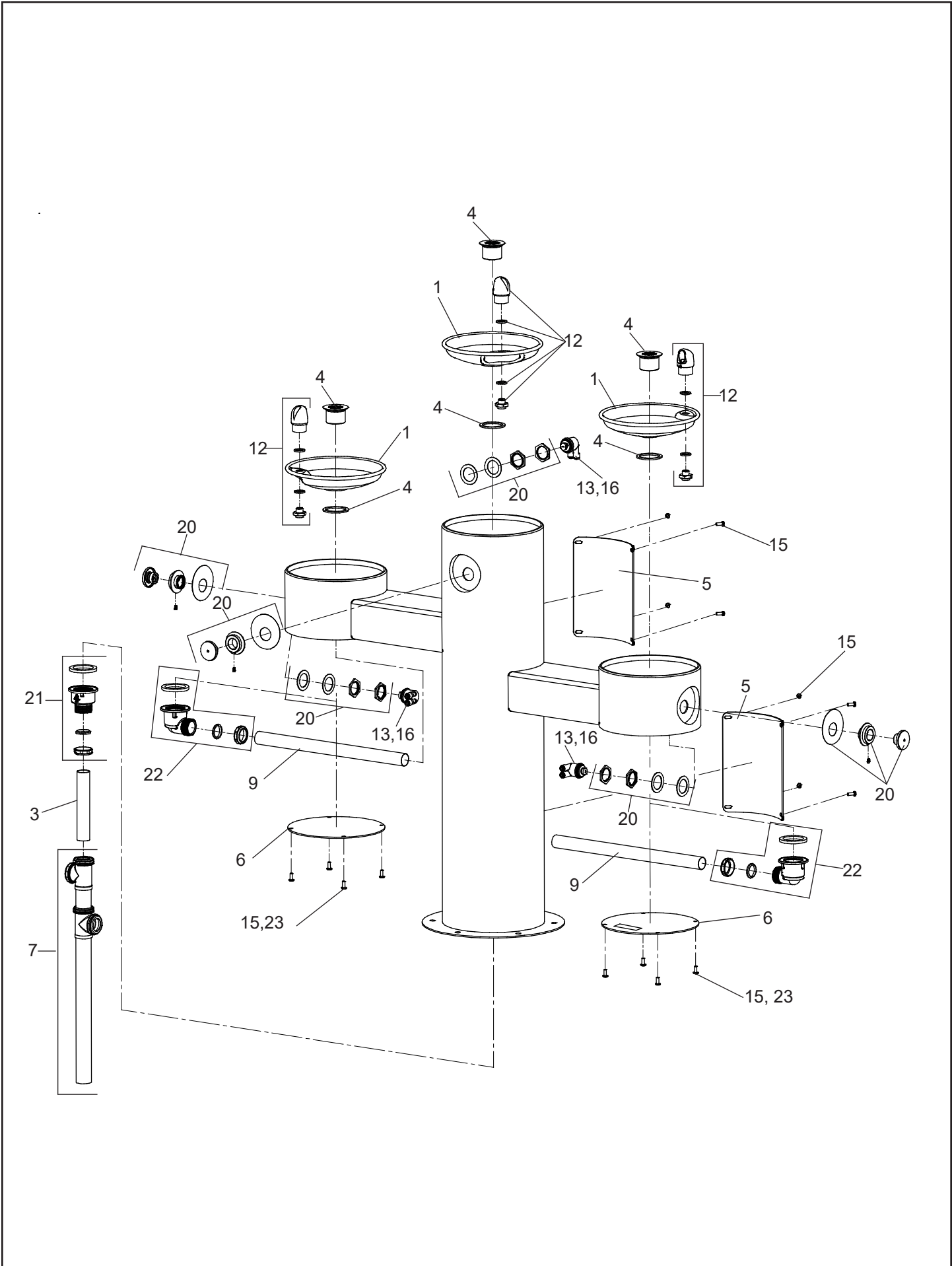
ACTUAL PRODUCT CONFIGURATION MAY VARY BASED ON MODEL ORDERED.

**LEGEND**

- A = 3/8" O.D. UNPLATED COPPER TUBE CONNECT - SHUT OFF VALVE BY OTHERS
- B = ACCESS PANEL (8" X 10")
- C = REMOVABLE BOTTOM COVER

**4430BF1U**

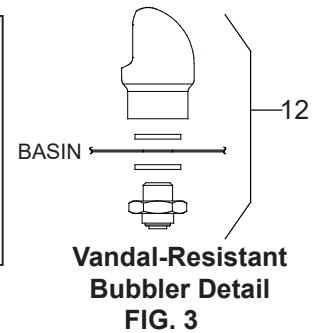
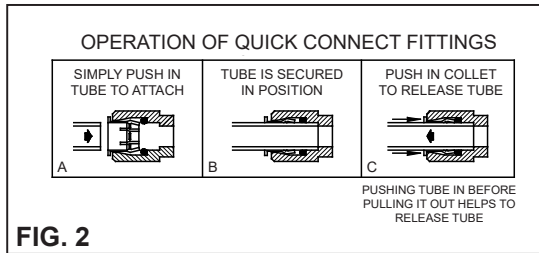
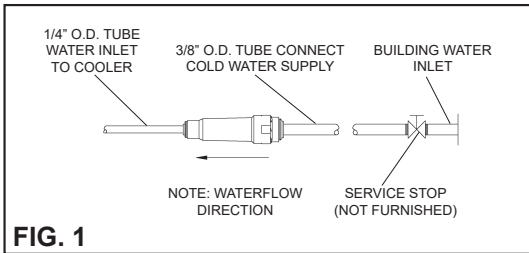




**TROUBLE SHOOTING AND MAINTENANCE**

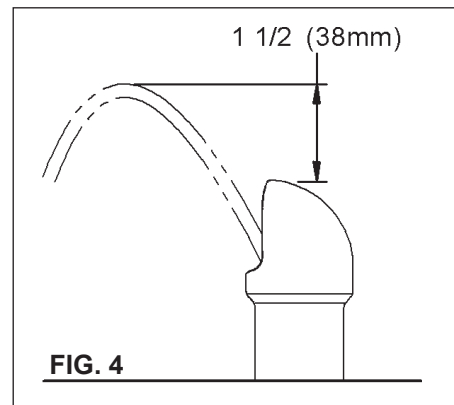
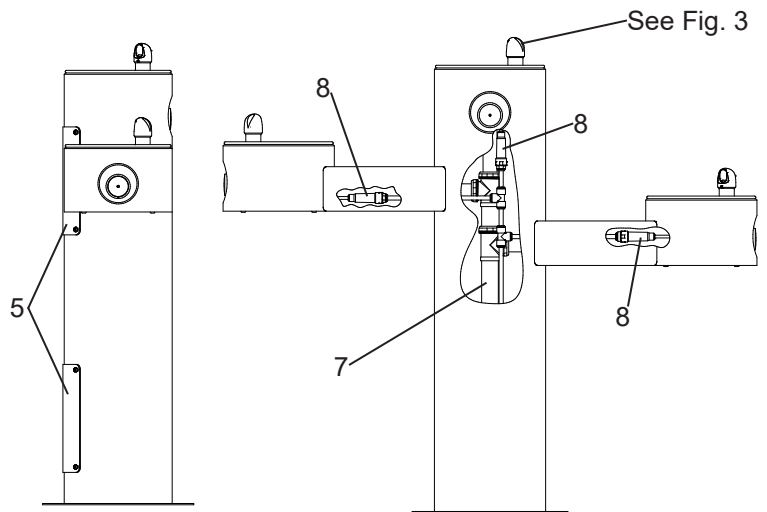
**Actuation of Quick Connect Water Fittings:**

Fountain is provided with lead-free connectors which utilize an o-ring water seal. To remove tubing from the fitting, relieve water pressure, push in on the gray collar while pulling on the tubing. (see Fig. 2) To insert tubing, push tube straight into fitting until it reaches a positive stop, approximately 3/4".



**ITEMIZED PARTS LIST**

ITEM NO.	PART NO.	DESCRIPTION
1	28467C	Basin
2	1000003814*	Cover - Round Plate (BF)
3	40551C	Tailpipe - 1-1/4" X 6-7/8"
4	0000000325	Kit - Drain Plug/Gasket
5	1000003812*	Access Panel
6	1000003813*	Bottom Cover
7	45734C	Tube - Drain
8	55996C	In - Line Strainer
9	66346C	Drain Tube
10	66816C	Tube - Drain (Arm Only)
11	66815C	Tube - Drain (BF)
12	97446C	Kit - Bubbler (VR)
13	98733C	Kit - Regulator W/Spring
14	75724C	Screw - 1/4"x20 x 3/4" LG. Pinned Torx
15	97247C	Kit - VR Screws/Bit
16	98678C	Kit - 1.0 GPM Regulator (BF Only)
17	98679C	Kit - Nozzle/Aerator/Gasket/Pin/Key
18	98680C	Kit - Aerator/Key
19	98681C	Kit - Blank Bottle Filler Trim
	1000003692	Kit - LK4430BF Bottle Filler Trim
	1000003693	Kit - 4430BF Bottle Filler Trim
20	98682C	Kit - Push Button w/Blank Nameplate
	1000003694	Kit - Push Button w/LK4430BF Nameplate
	1000003695	Kit - Push Button w/4430BF Nameplate
21	98683C	Kit - Plastic Drain
22	98684C	Kit - 90° Plastic Drain
23	98685C	Kit - 4400 Series Hardware
24	98686C	Kit - Bottle Filler Waterway
25	45931C	Outdoor Bottle Filler Drain Plug
26	1000005456	Aesthetic Collar



**STREAM HEIGHT ADJUSTMENT:**

Stream height is factory set at 35 PSI. If supply pressure varies greatly from this, insert a small straight bladed screwdriver through the access hole in the center of the push button and turn the adjustment screw. Clockwise adjustment will raise the stream and counterclockwise adjustment will lower the stream. For best adjustment, the stream should be approximately 1 1/2" above the top of the bubbler . (See Fig. 4)

\*select color option to complete part number

**\*FINISH COLOR OPTIONS – Choose color option to complete your model number, add as suffix example: 4430BF1UEVG**

Matte finish:  Evergreen = EVG

Gloss finish:

- |                                      |                                       |   |
|--------------------------------------|---------------------------------------|---|
| <input type="checkbox"/> Beige = BGE | <input type="checkbox"/> Gray = GRY   | <input type="checkbox"/> Terracotta = TER |
| <input type="checkbox"/> Black = BLK | <input type="checkbox"/> Orange = ORN | <input type="checkbox"/> White = WHT      |
| <input type="checkbox"/> Blue = BLU  | <input type="checkbox"/> Purple = PUR | <input type="checkbox"/> Yellow = YLW     |
| <input type="checkbox"/> Brown = BRN | <input type="checkbox"/> Red = RED    |   |