

ELKAY® SPECIFICATIONS

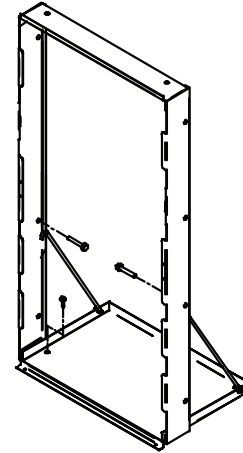
One-Level Mounting Frame Model MFWS100

GENERAL

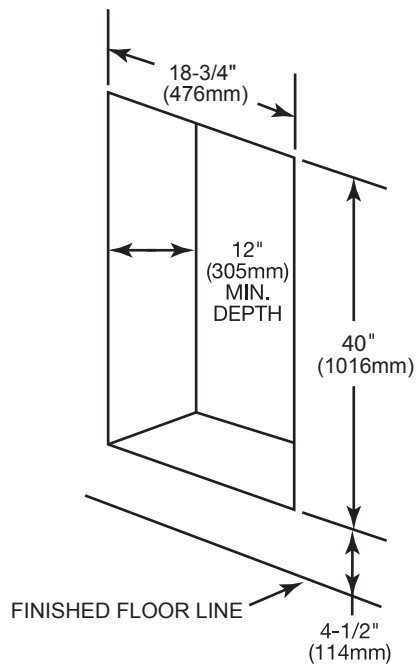
MFWS100 Mounting Frame for use with In-Wall EZH2O models and SwirlFlo® one-level water coolers.

CONSTRUCTION

16 gauge galvanized steel.



WALL OPENING



In keeping with our policy of continuing product improvement, Elkay reserves the right to change product specifications without notice.

This specification describes an Elkay product with design, quality and functional benefits to the user. When making a comparison of other producers' offerings, be certain these features are not overlooked.