

# INSTALLATION INSTRUCTIONS

For Model 6038-02

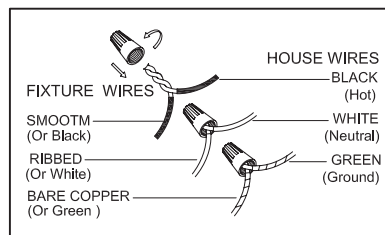
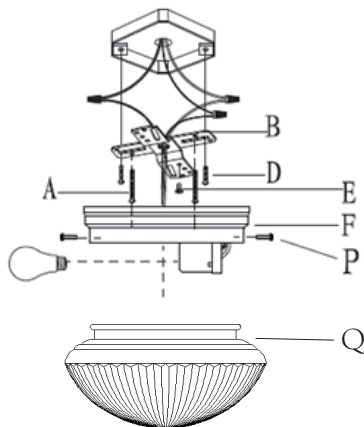
## READ AND SAVE THESE INSTRUCTIONS

These instructions are provided for your safety. It is very important that they are read carefully and completely before beginning installation of the lighting fixture. We strongly suggest that all direct wired fixtures be installed by a qualified, licensed electrician.

**WARNING! SHUT POWER OFF AT FUSE OR CIRCUIT BREAKER.**

**BEFORE INSTALLATION**

**AVERTISSEMENT! COUPER LE COURANT AU NIVEAU DES FUSIBLES OU DU DISJONCTEUR.**



## PREPARING FOR INSTALLATION

Remove all contents from the carton. See the important notes above. Shut off the power at the circuit breaker and completely remove the old fixture from the ceiling, including the old crossbar.

Crossbar (B) contains several pairs of threaded holes. Find the pair of holes that matches the spacing of the holes on the junction box and on your fixture's canopy. Screw mounting screws (A) 1/4 inch into crossbar (B). Pull the house wires through the center of crossbar (B). Place crossbar (B) over the junction box so that mounting screws (A) are vertical and aligned with the hole locations on the fixture's canopy (F). Secure crossbar (B) to the junction box by tightening the screws (D).

## CONNECTING THE WIRES

Attach the fixture's wires to the power supply wires from the junction box. Connect black to black (or smooth); white to white (or ribbed); ground to ground (green or copper). Twist the end of the wire pairs together, then twist on a wire connector. Make sure all twists are in the same direction. If there is no ground wire (green or copper) from the junction box, locate ground screw (E) on crossbar (B) and wrap the fixture's ground wire around the green ground screw (E). Use a screwdriver to secure ground screw (E) onto the crossbar. Tuck all wires neatly into the junction box.

## FINISHING THE INSTALLATION

Raise canopy (F) to ceiling allowing mounting screws (A) to protrude through key slots in canopy (F). Rotate canopy (F) clockwise until mounting screws (A) lock into narrow portion of key slots. Install light bulb (not included) in accordance with the fixture's specification. Do not exceed the recommended maximum wattage. Secure glass (Q) to the canopy (F) by tightening the screws (P).

Your installation is now complete. Please turn on the power and test the fixture.

## CLEANING TIPS

Treat the fixture gently! Regular cleaning will reduce the need for deep cleaning. For regular cleaning, turn off the light and wipe down the fixture with a clean lint-free cotton or microfiber cloth. Never spray cleaner directly onto the fixture.