

INSTALLATION INSTRUCTIONS

For Model 7082-05

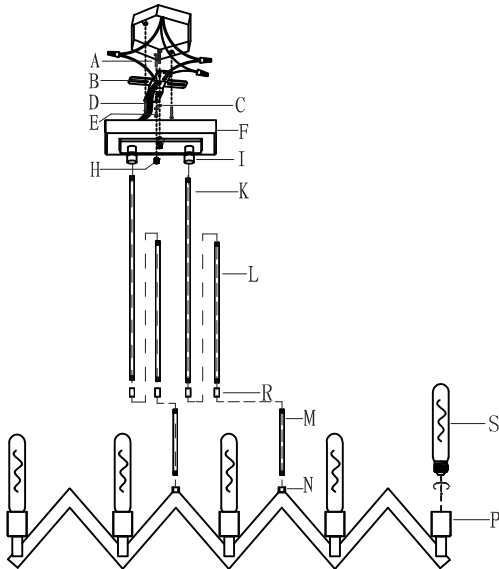
READ AND SAVE THESE INSTRUCTIONS

These instructions are provided for your safety. It is very important that they are read carefully and completely before beginning installation of the lighting fixture. We strongly suggest that all direct wired fixtures be installed by a qualified, licensed electrician.

WARNING! SHUT POWER OFF AT FUSE OR CIRCUIT BREAKER.

BEFORE INSTALLATION

AVERTISSEMENT! COUPER LE COURANT AU NIVEAU DES FUSIBLES OU DU DISJONCTEUR.



PREPARING FOR INSTALLATION

Carefully remove all contents from the carton. See the important notes above. Shut off the power at the circuit breaker and completely remove the old fixture from the ceiling, including the old crossbar. Remove the crossbar assembly from the bag. Crossbar (B) contains several pairs of threaded holes. Find the pair of holes that matches the spacing of the holes on the junction box and the fixture's canopy. Two mounting screws (A) should be attached to crossbar (B). You may need to tighten nuts (C) to hold these screws in place. Pull the house wires through the center of crossbar (B). Place crossbar (B) over the junction box so that mounting screws (A) are vertical and aligned with the hole locations on the fixture's canopy (F). Secure crossbar (B) to the junction box by tightening the screws.

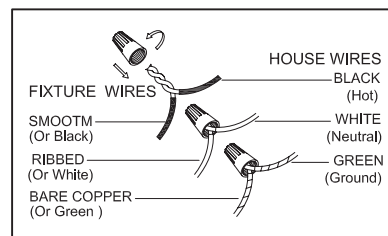
ASSEMBLING THE FIXTURE

There are two 18 inch rods (K), two 12 inch rods (L), and two 6 inch rods (M) included for each fixture. Determine the correct number of rods needed for proper hanging height. To lengthen the fixture, add additional rods. If additional rods are needed, contact the place of purchase to order. To shorten the fixture, trim the wires to the desired length, leave at least 8 to 10 inch of wire in addition to the desired length and slide any excess rods off the fixture's wires to discard. Keep in mind that you must use at least the provided

6 inch rods (M) to hang the fixture. Thread the wires through the rods and pull the wires until taut before connection the rods together with connectors (R). Screw bottom rods (M) onto nipples (N) on the fixture. Screw the nipples of the top rods into swivel posts (I) of canopy (F). Pull the fixture wires through the top of the canopy.

CONNECTING THE WIRES

Have an assistant support the fixture's weight while completing the wiring. Attach the fixture's wires to the power supply wires from the junction box. Connect black to black (or smooth); white to white (or ribbed); ground to ground (green or copper). Twist the ends of the wire pairs together, then twist on a wire connector. Make sure all twists are in the same direction. If there is no ground wire (green or copper) from the junction box, locate ground screw (E) on crossbar (B) and wrap the fixture's ground wire around the green ground screw (E). Use screwdriver to secure ground screw (E) onto crossbar (B). Tuck all wires neatly into the junction box.



FINISHING THE INSTALLATION

Push canopy (F) up to the ceiling and tighten the nuts (H) onto the exposed mounting screws (A).

Install light bulb (not included) in accordance with the fixture's specifications. Do not exceed the maximum recommended wattage.

Your installation is now complete. Turn on the power and test the fixture.

CLEANING TIPS

Treat the fixture gently! Regular cleaning will reduce the need for deep cleaning. For regular cleaning, turn off the light and wipe down the fixture with a clean lint-free cotton or microfiber cloth. Never spray