

INSTALLATION INSTRUCTIONS

For Model 7116-05

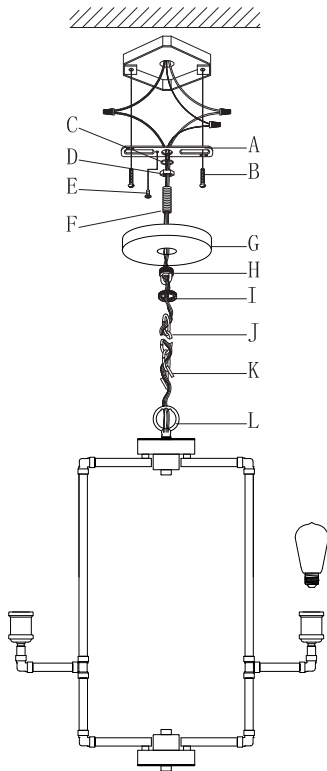
READ AND SAVE THESE INSTRUCTIONS

These instructions are provided for your safety. It is very important to read them carefully and completely before beginning installation of the lighting fixture. We strongly suggest that all direct-wired fixture be installed by a qualified and licensed electrician.

W A R N I N G ! S H U T P O W E R O F F A T F U S E O R C I R C U I T B R E A K E R

B E F O R E I N S T A L L A T I O N

AVERTISSEMENT! COUPER LE COURANT AU NIVEAU DES FUSIBLES OU DU DIS JONCTEUR.



ASSEMBLING THE FIXTURE

Determine the correct number of chains links needed for a proper hanging height. Use a pair of pliers to open and remove or add any extra chains. Screw fixture loop (L) onto the nipple at the top of the fixture body. Lace the fixture's wires through the chain (every three links or so and pull until it is taut. Once an ideal chain/wire length is achieved, attached the top end of the chain (J) to the canopy loop (H) with a pair of pliers. Connect the other end of chain (J) to the fixture loop (L). Let the canopy (G) and the canopy loop ring (I) rest on the fixture body.

CONNECTING THE WIRES

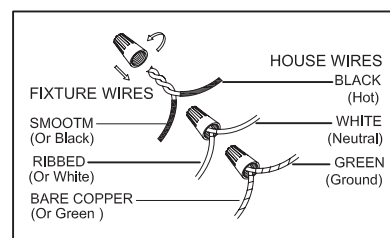
Have an assistant support the weight of the fixture while working on the wiring. Remove the extra wires. Thread wires through canopy loop (H) and nipple (F). Attach the fixture's wires to the power supply wires from the junction box. Connect black to black (or smooth); the white wire with the white (or ribbed); the ground wire with the ground (green or copper). Twist the end of the wire pairs together and twist on a wire connector. Make sure all twists are in the same direction. If there is no ground wire (green or copper) from the junction box, locate a ground screw (E) on the mounting bracket (A) and wrap the fixture's ground wire around the green ground screw (E). Use a screwdriver to tighten the ground screw (E) onto the crossbar (B). Tuck all wires neatly into the junction box.

PREPARING FOR INSTALLATION

Remove all contents from the carton. See the important notes above. Shut off the power at the circuit breaker and completely remove the old fixture from the ceiling, including the old mounting bracket.

Remove the mounting bracket kits from the bag. One end of the nipple (F) should be attached to the mounting bracket (A) with the washer (C) and the hex nut (D) in place. The other end should have canopy loop (H) attached.

Attach mounting bracket (A) to the junction box by securely tightening the mounting screws (B). Unscrew canopy loop ring (I) from canopy loop (H). Pass canopy (G) over the canopy loop (H) so that it's against the ceiling. Adjust the position of nipple (F) on mounting bracket (A) so that canopy (G) covers at least half exterior threads on the canopy loop (H) while it's securely connected to nipple (F). Once an ideal position of nipple (F) is determined, tighten up the washer (C) and hex nut (D) on the nipple (F) right underneath the Mounting bracket (A) to secure the nipple in place.



FINISHING THE INSTALLATION

Push the canopy (G) up to the ceiling and slide canopy collar loop (I) up beneath the canopy. Tightly thread the canopy collar loop (I) onto canopy loop (H) to secure the canopy (G) in place.

Install light bulb(s) (not included) in accordance with the fixture's specifications. Do not exceed the maximum recommended wattage.

Your installation is now complete. Turn on the power and test the fixture.

CLEANING TIPS

Treat the fixture gently! Regular cleaning will reduce the need of deep cleaning. For regular cleaning, turn off the lighting and wipe down the fixture with a clean lint-free cotton or microfiber cloth. Never spray cleaner directly onto the fixture.