

INSTALLATION INSTRUCTIONS

For Model 7259-01

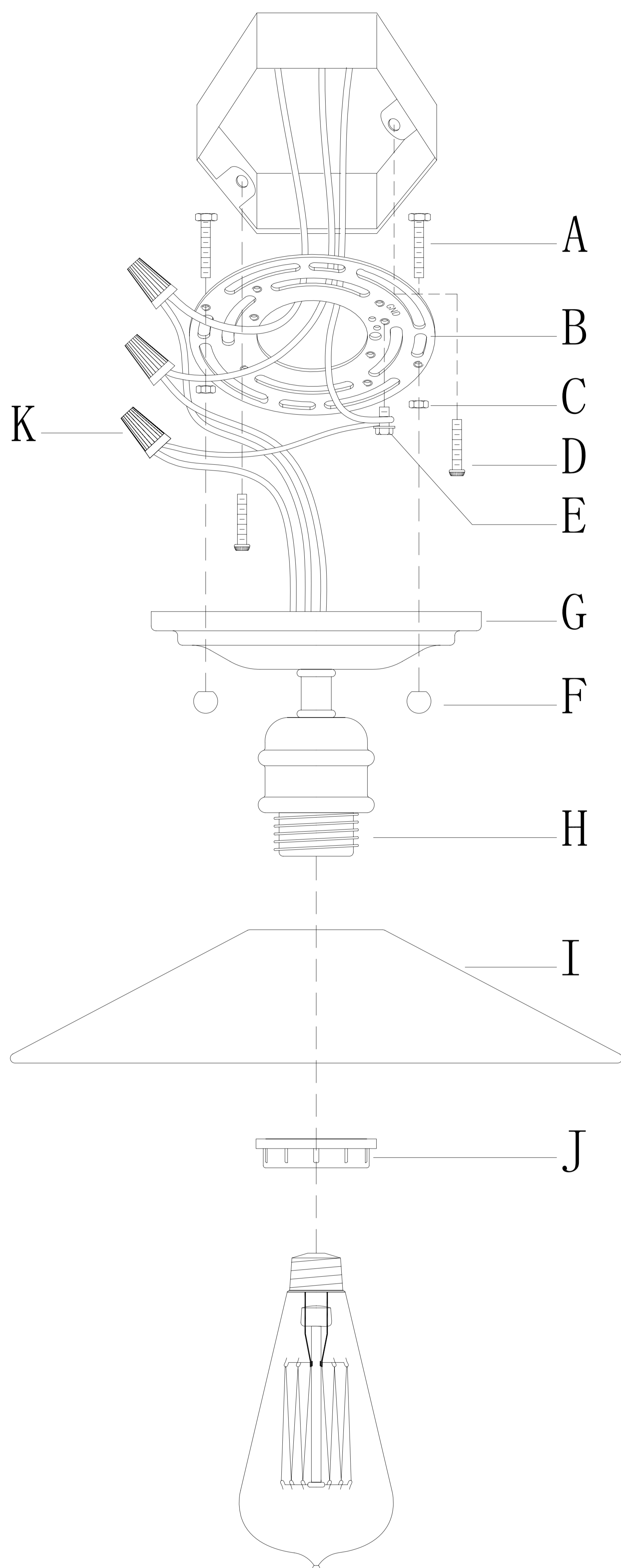
READ AND SAVE THESE INSTRUCTIONS

These instructions are provided for your safety. It is very important that they are read carefully and completely before beginning installation of the lighting fixture. We strongly suggest that all direct wired fixtures be installed by a qualified, licensed electrician.

WARNING! SHUT POWER OFF AT FUSE OR CIRCUIT BREAKER.

BEFORE INSTALLATION

AVERTISSEMENT! COUPER LE COURANT AU NIVEAU DES FUSIBLES OU DU DISJONCTEUR.



PREPARING FOR INSTALLATION

Carefully remove all contents from the carton. See the important notes above. Shut off the power at the circuit breaker and completely remove the old fixture from the ceiling, including the old mounting plate. Remove mounting plate assembly from the bag. Mounting plate (B) contains several pairs of threaded holes. Find the pair of holes that matches the spacing of the holes on the junction box and your fixture's canopy (G). Two of mounting screws (A) should be attached to mounting plate (B). You may need to tighten the nuts that hold these screws in place. Pull the house wires through the center of mounting plate (B). Place mounting plate (B) over the junction box so that mounting screws (A) are vertical and aligned with the hole locations on the fixture's canopy (G). Secure mounting plate (B) to the junction box with mounting screws (D) and a screwdriver. Tighten the screws securely.

CONNECTING THE WIRES

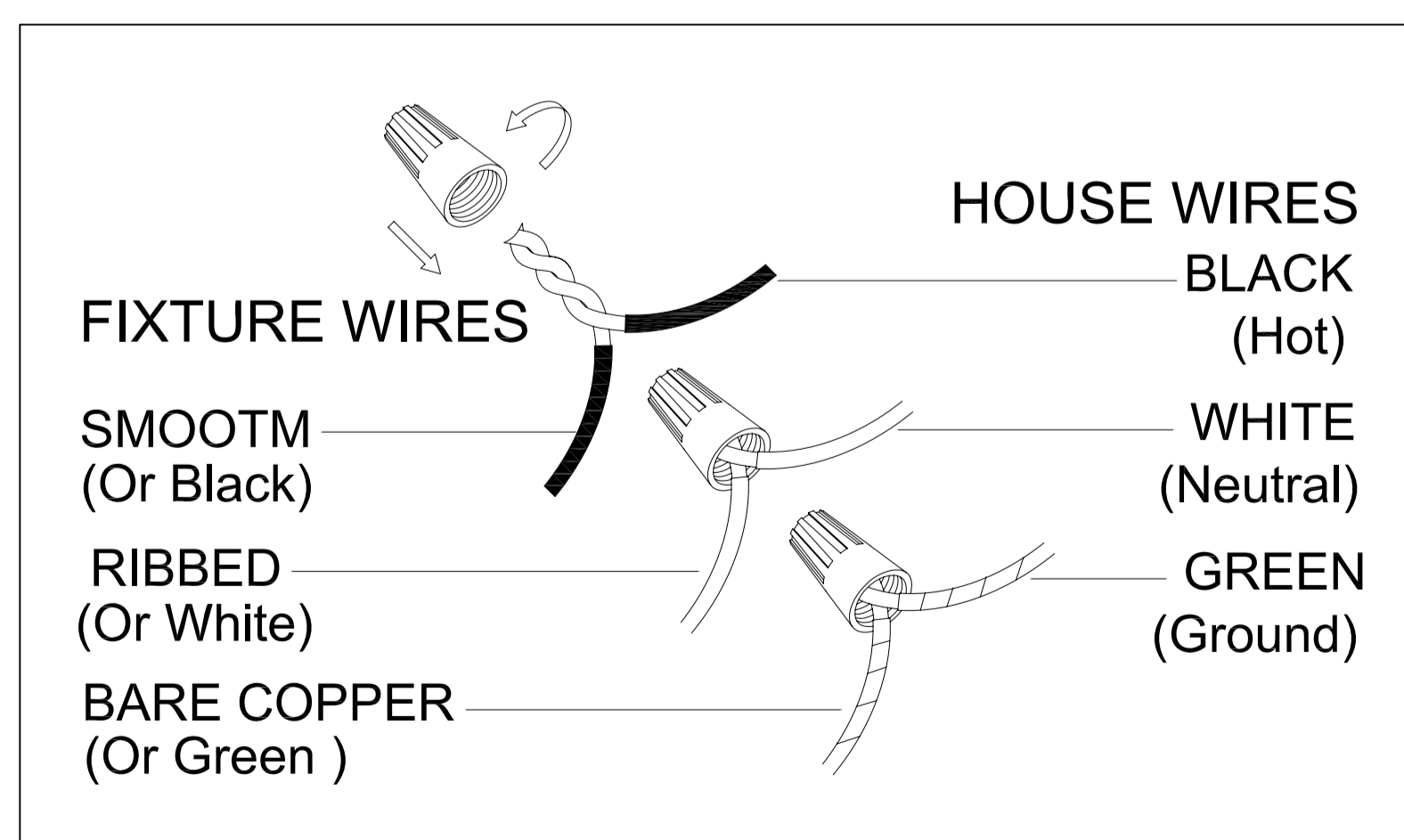
Attach the power supply wires from the junction box to the fixture's wires. Connect black to black (or smooth); white to white (or ribbed); ground to ground (green or copper). Twist the end of the wire pairs together, and then twist on a wire connector. Make sure all twists are in the same direction. If there is no ground wire (green or copper) from the junction box, locate ground screw on mounting plate (B) and wrap the fixture's ground wire around the green ground screw. Use a screwdriver to secure the ground screw onto the mounting plate. Tuck all wires neatly into the junction box.

FINISHING THE INSTALLATION

Raise canopy (G) to mounting plate (B) and position mounting screws (A) so that they protrude through the openings of canopy (G). Secure canopy (G) in place with decorative nuts (F).

Slide hood (I) over the socket (H) and secure in place with socket ring (J). Install light bulb (not included) in accordance with the fixture's specifications. Do not exceed the maximum recommended wattage.

Your installation is now complete. Turn on the power and test the fixture.



CLEANING TIPS

Treat the fixture gently! Regular cleaning will reduce the need for deep cleaning. For regular cleaning, turn off the light and wipe down the fixture with a clean lint-free cotton or microfiber cloth. Never spray cleaner directly onto the fixture.