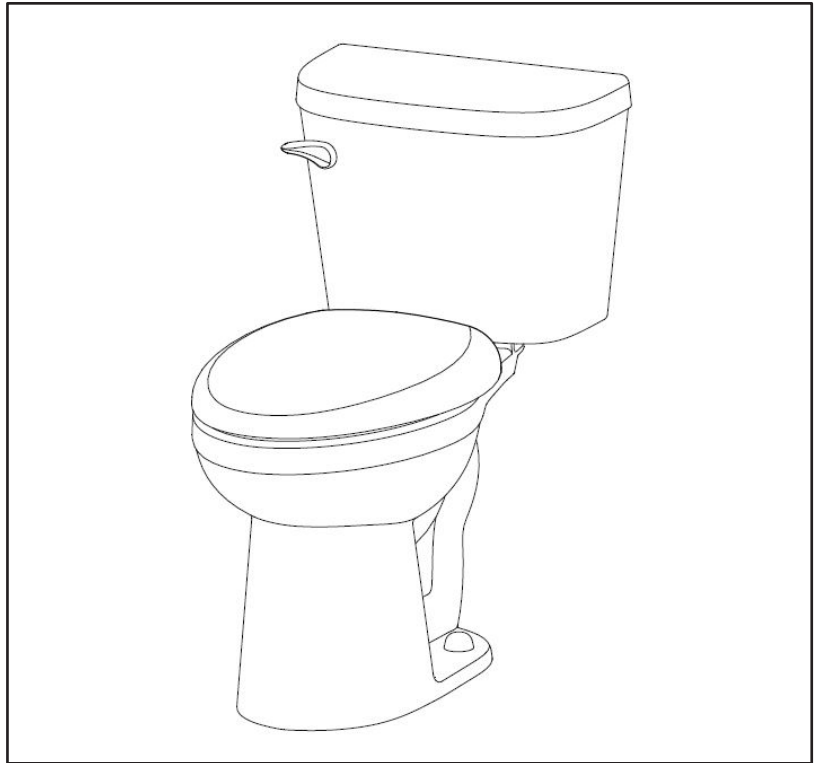


MAXWELL® 1.28 Round Front Toilet

10" Rough-in

Features:

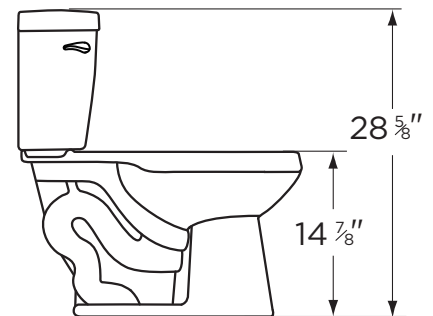
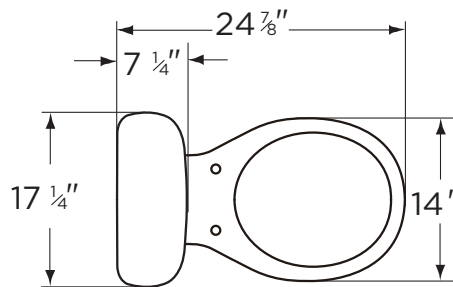
- 1.28 gpf/4.8 Lpf high efficiency two-piece toilet
- Round Front bowl
- Dual-fed siphon jet
- Pilot fill valve
- 3" flush valve
- 2" glazed trapway
- Color matched front tank lever (white only)
- Available in White
- 2 bolt caps
- Seat not included



Dimensions:

- Height 28 5/8"
- Width 17 1/4"
- Depth 24 7/8"
- Rough-in 10"
- Water Surface from Rim 6"
- Trapway 2"
- Water Surface 9 1/8" x 7"
- Water Seal 2 1/4"
- Shipping Weight 69.5 lbs

Specifications: Bowl—#MX-21-952 Round Front Bowl Tank—#28-995



THIS FIXTURE QUALIFIES ACCORDING TO ASME TEST PROCEDURES AS A HIGH-EFFICIENCY WATER CLOSET WITH AN AVERAGE CONSUMPTION OF 1.28 gpf (4.8 Lpf) OR LESS.

HIGH EFFICIENCY TOILET
HET



www.gerberonline.com

Job Name	
Date	
Model Specified	
Quantity	
Customer	
Contractor	
Architect/engineer	

