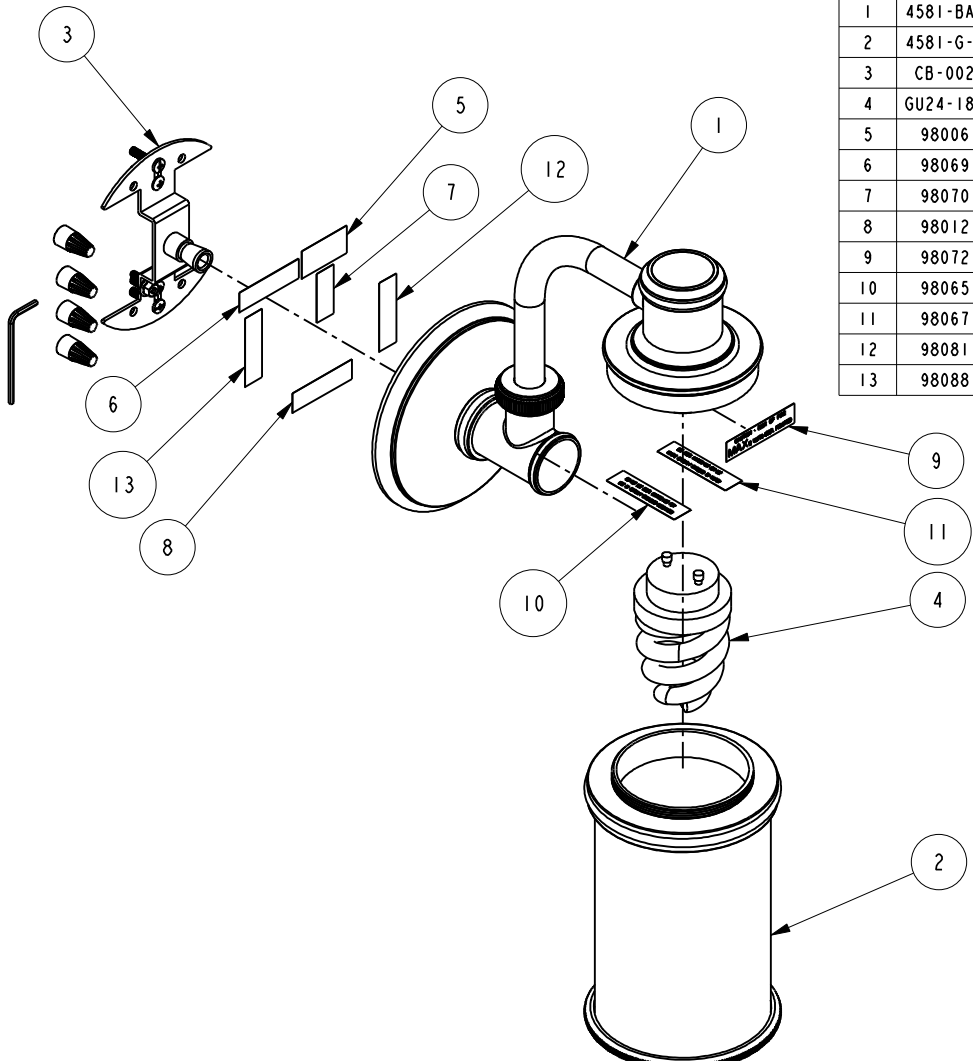


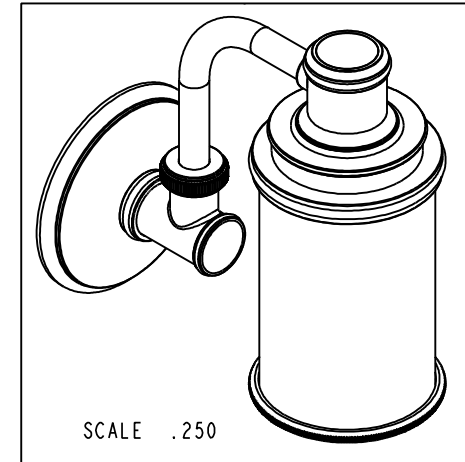
NOTES:

(N1) 1. FIT / FORM / FUNCTION SHALL FOLLOW PS-E.008.



BILL OF MATERIAL (CURRENT LEVEL)

ITEM	PT/ASSY	DESCRIPTION	TYPE	QTY.
1	4581-BAW	SINGLE SCONCE BODY WIRED	ASSEMBLY	1
2	4581-G-E	4581-G-E	ASSEMBLY	1
3	CB-002	LIGHT MOUNTING PACK	ASSEMBLY	1
4	GU24-18W	GU24 COMPACT FLUORESCENT SPIRAL MAX. DIA. 2 3/8" MAX. LENGTH 4"	PART	1
5	98006	LABEL, UL LISTED	PART	1
6	98069	LABEL, PNXXX, SUITABLE FOR DAMP LOCATIONS	PART	1
7	98070	LABEL, MONTH YEAR E191501	PART	1
8	98012	LABEL, WALL MOUNT ONLY	PART	1
9	98072	LABEL, 18 WATT MAX SBCFL PERMITTED	PART	1
10	98065	LABEL, DO NOT USE SBCFL MARKED NOT FOR USE IN TOTALLY ENCLOSED LUMINAIRE	PART	1
11	98067	LABEL, USE SBCFL MARKED NOT FOR USE WHERE DIRECTLY EXPOSED TO WATER	PART	1
12	98081	LABEL, 120V / 60H / 18W	PART	1
13	98088	LABEL, MIN 75 C SUPPLY CONDUCTORS	PART	1



TESTING	-	-	-
ASSEMBLY	-	-	-
PLATING	-	-	-
POLISHING	-	NEXT ASSY	USED ON
MACHINING	-	APPLICATION	
TOOLING FIXTURE #	REMOVE ALL BURRS AND SHARP EDGES		

UNITS ARE: INCHES [MM]
 TOLERANCES ARE:
 FRACTIONS DECIMALS ANGLES
 $\pm 1/16"$ $.X \pm .1$ [2,5] $\pm 1^\circ$
 $.XX \pm .06$ [1,3]

(X.XXX) DENOTES CRITICAL DIMS.
 ALL THREADS ARE CRITICAL

BRASSTECH 2001 CARNEGIE AVE.
 INCORPORATED SANTA ANA, CA 92705
 (949) 417-5207

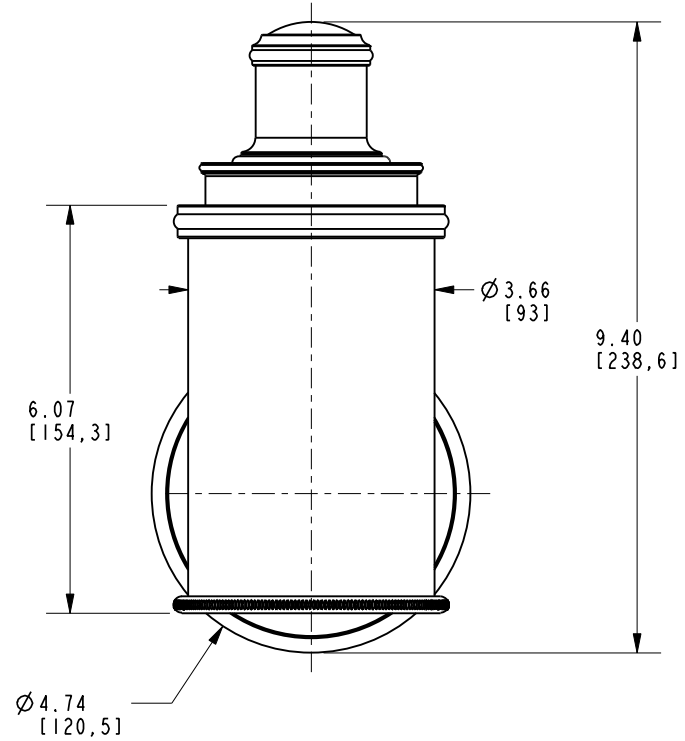
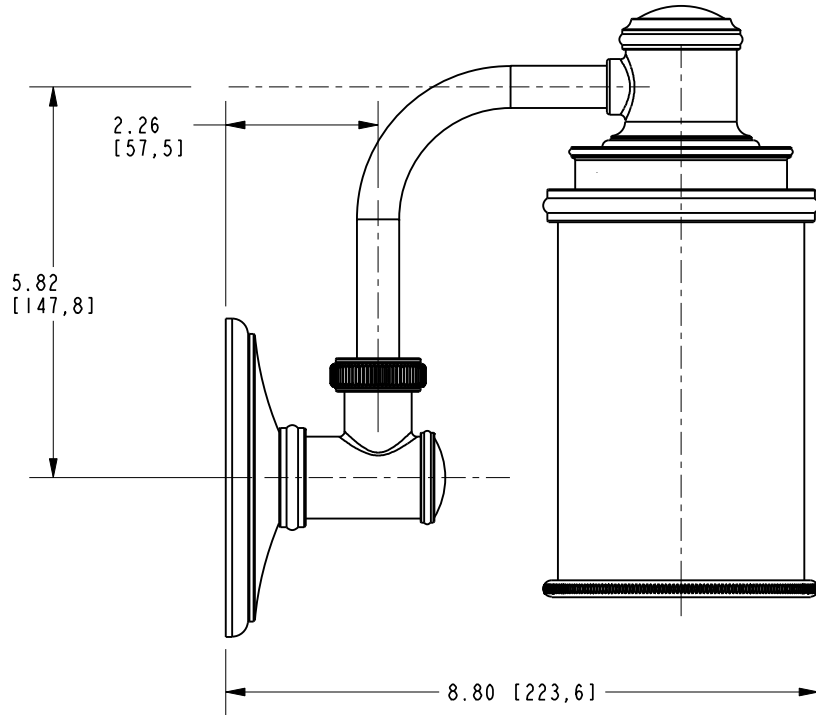
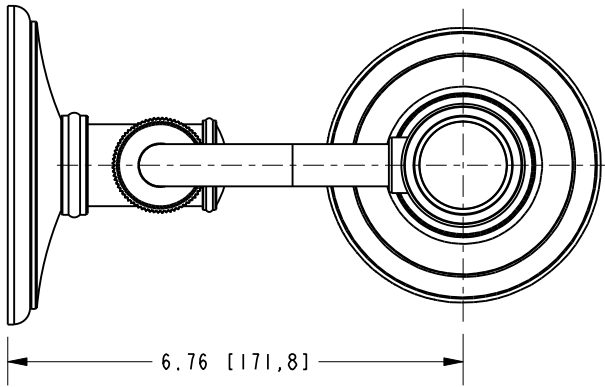
SINGLE SCONCE

ZONE	REV	DESCRIPTION	DATE	APPROVED
-	C	EN-3127	08/29/16	R.S
-	B	EN-1427	11/27/07	-
-	A	EO-0916	11/27/07	-

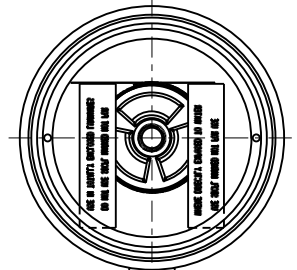
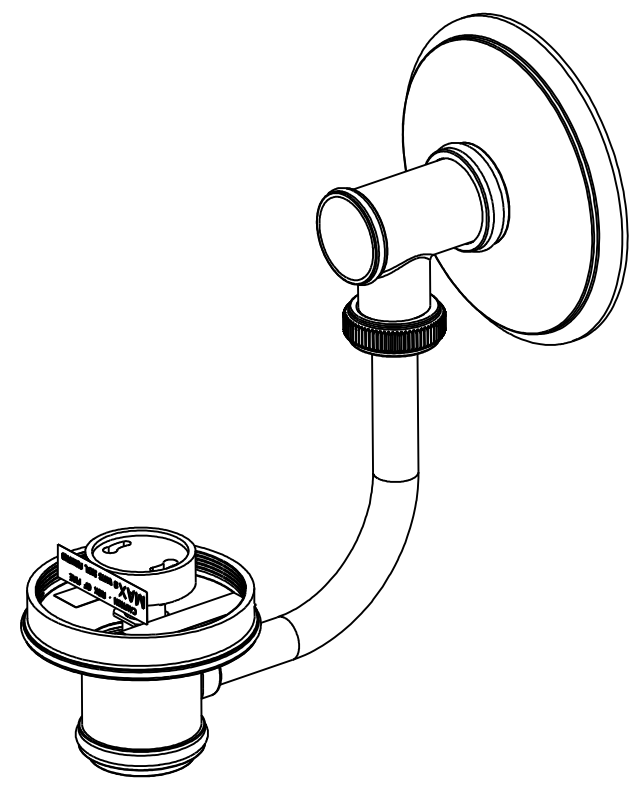
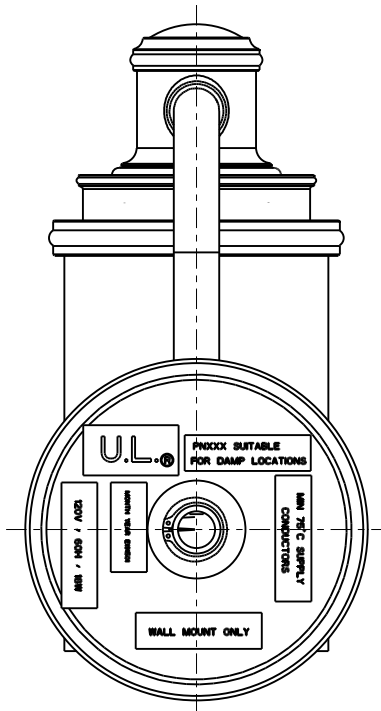
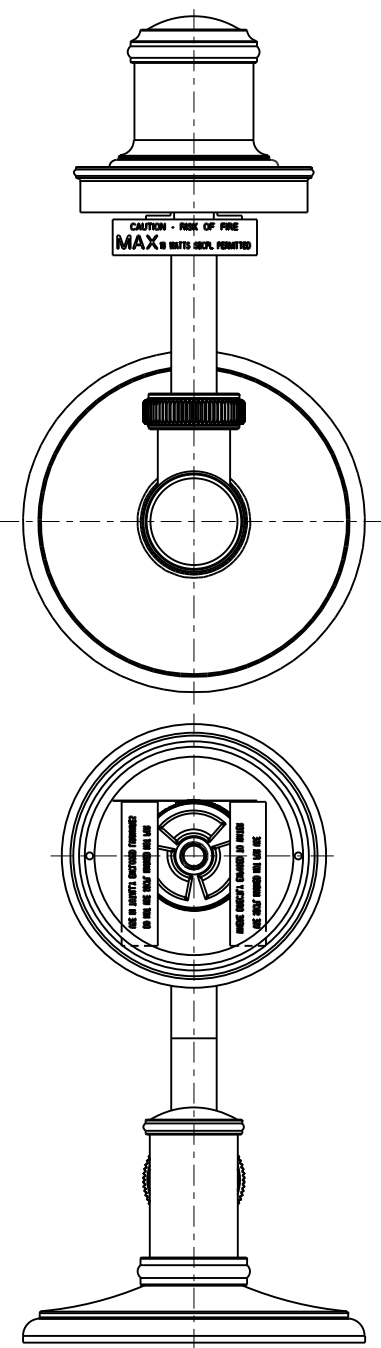
COPYRIGHT 2005 BRASSTECH, INC.
 THESE DRAWINGS AND THE DESIGNS
 DEPICTED HEREIN ARE THE PROPRIETARY
 PROPERTY OF BRASSTECH. ANY USE
 OR REPRODUCTION IS SUBJECT TO
 THE EXPRESS APPROVAL OF BRASSTECH.
 UNAUTHORIZED USE IS STRICTLY
 PROHIBITED. ALL RIGHTS RESERVED.

DRAWN AMARISH 08/29/16
 CHECKED RAVINDRA 08/29/16
 APPROVED R.S 08/29/16

DWG NO.	4581	REV	C
SCALE	.250	REF.	-
SHEET	1	OF	3



BRASSTECH		2001 E. CARNEGIE AVE.	
INCORPORATED		SANTA ANA, CA 92705	
		(949) 417-5207	
DWG NO.	4581	REV C	
SCALE .350	REF. -	SHEET 2 OF 3	



BRASSTECH		2001 E. CARNEGIE AVE.
INCORPORATED		SANTA ANA, CA 92705
		(949) 417-5207
DWG NO.	4581	REV C
SCALE .375	REF. -	SHEET 3 OF 3