

# HAMILTON SINKLER

## FP207PAM Revival Modern Pocket Door Pull Mortise Passage Set

### Standard Finishes:

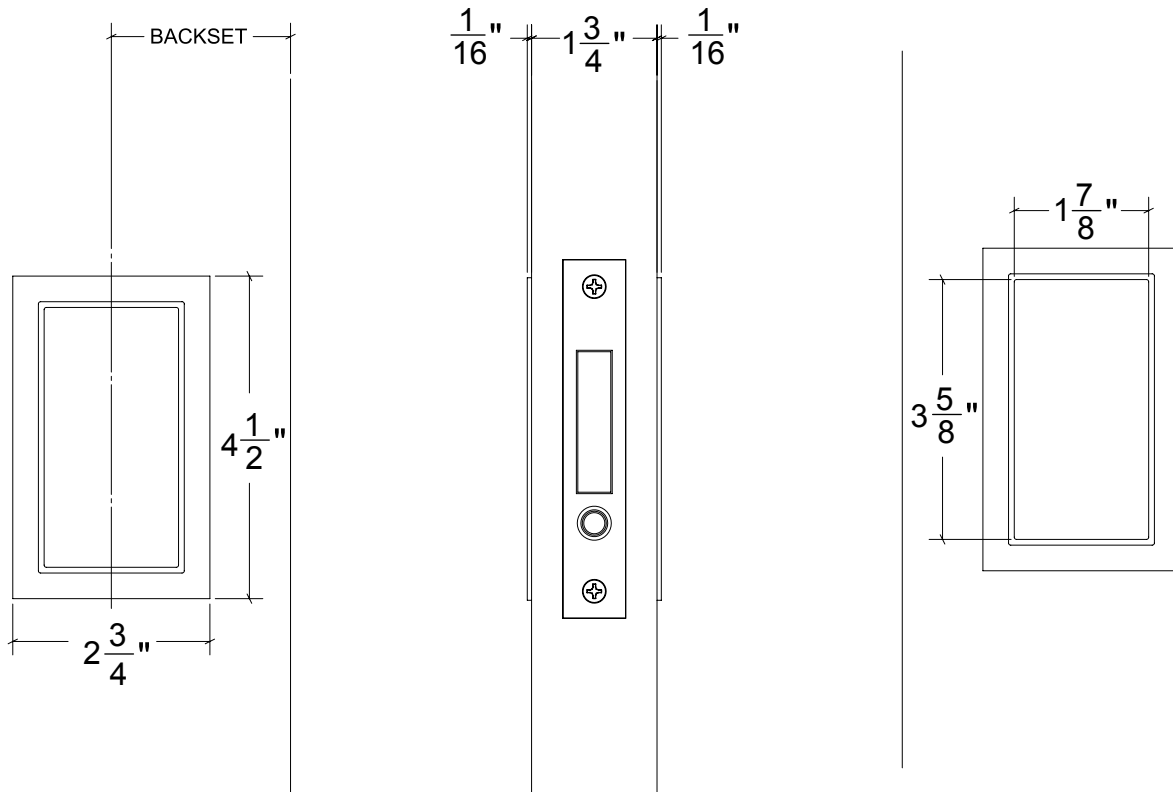
- Bright Antique Brass
- Brushed Nickel
- Oil Rubbed Bronze
- Polished Chrome
- Polished Nickel
- Polished Brass Unlacquered

### Special Order Finish:

- Satin Brass

### Base Material:

Solid Brass



Minimum door thickness required is 1-3/4" when using with pocket lock

# HAMILTON SINKLER

## FP207PAM Revival Modern Pocket Door Pull Single Trim Only

### Standard Finishes:

- Bright Antique Brass
- Brushed Nickel
- Oil Rubbed Bronze
- Polished Chrome
- Polished Nickel
- Polished Brass Unlacquered

### Special Order Finish:

- Satin Brass

### Base Material:

Solid Brass

