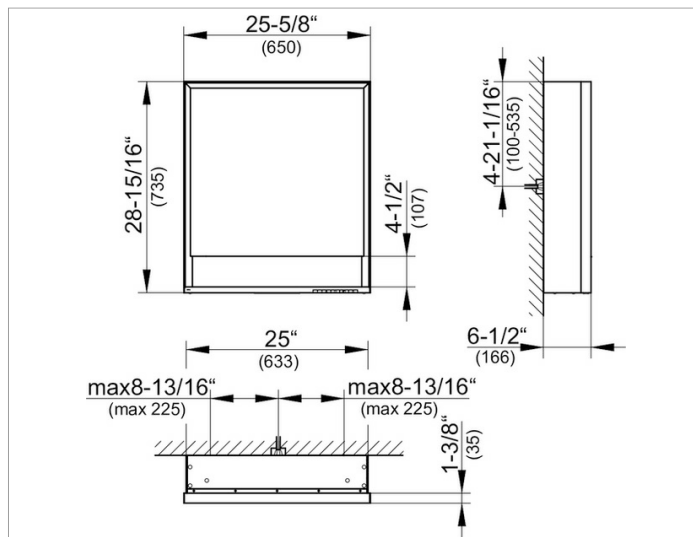


Royal Lumos
14301171151 Mirror cabinet

PRODUCT



DRAWING



PRODUCT ATTRIBUTES

wall mounted,
adjustable light color from 2700 kelvin (warm white) to 6500 kelvin (daylight),
1 hinged double sided crystal mirrored door,
Body: aluminum silver anodized
Body panels and interior rear wall mirrored
Operation:
key panel with capacitive touch sensor,
integrated extension function for e.g. light switch
Illumination:
frame lighting and washbasin/shelf light separately,
infinitely dimmable and can be switched on/off
LED 54 watt (lifespan > 30.000 hours)
EEK: A++, A+, A, 54 kWh/1000h

EQUIPMENT

- 1 socket
- 2 adjustable glass shelves
- storage space across full width
- soft-closing door

SURFACE

silver anodized/right hand

DIMENSION

25,59 x 28,94 x 6,5 "

SPECIFICATIONS

KEUCO Royal Lumos Mirror cabinet 14301171151
High quality Mirror cabinet in elegant design

wall mounted,
adjustable light colour from 2700 kelvin (warm white) to 6500 kelvin (daylight),
1 hinged double sided crystal mirrored door,
Body: aluminium silver anodized
Body panels and interior rear wall mirrored

Operation:
key panel with capacitive touch sensor,
integrated extension function for e.g. light switch

Illumination:
frame lighting and washbasin/shelf light separately,
infinitely dimmable and can be switched on/off
LED 54 watt (lifespan > 30.000 hours)
infinitely dimmable, lamps non-exchangeable

- 1 socket
- 2 adjustable glass shelves
- storage space across full width
- soft-closing door

25-5/8" x 28-15/16" x 6-1/2"

silver anodized/right hand

Warranty: KEUCO products are covered by a 5-year manufacturer's warranty, in effect from the date of purchase. During this time, proven product defects will be remedied free of charge. Warranty claims must be filed in writing, including a detailed description of the defect immediately after a defect has occurred. For a copy of our detailed product warranty policy, please contact us at office-usa@keuco.com.

Installation: KEUCO products must be installed by a qualified professional in accordance with the respective installation guidelines and any applicable federal / local building codes and regulations.