

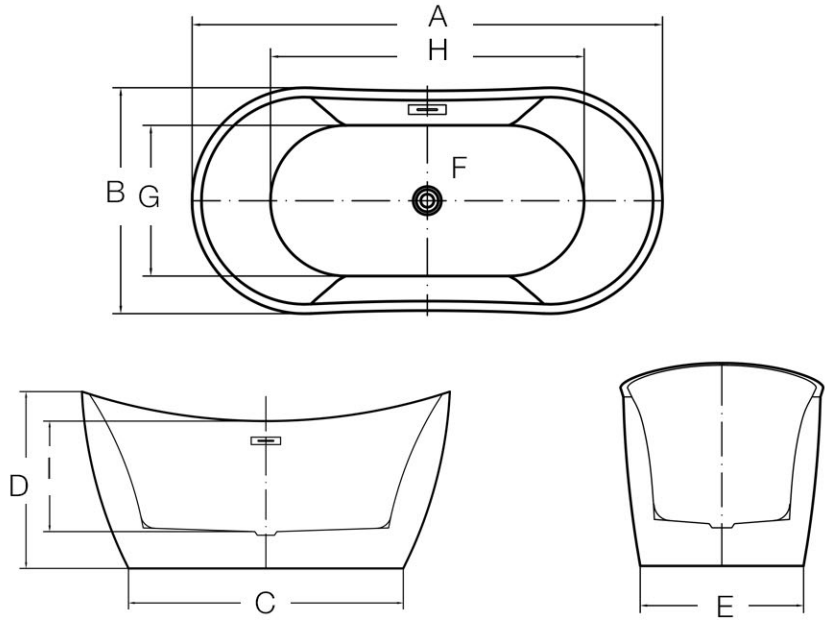


MAIDSTONE

www.MaidstoneSupply.com

Acrylic Double Slipper Freestanding Tub Part No: 220CA

TECHNICAL INFORMATION



DIMENSIONS (INCHES)

	A	B	C	D	E	F	G	H	I
59	59	28 ¹¹ / ₃₂	44	28 ¹¹ / ₃₂	22 ²⁷ / ₃₂	2	18 ⁵⁷ / ₆₄	39 ³ / ₈	17 ²³ / ₃₂
67	67	28 ¹¹ / ₃₂	49 ³⁹ / ₆₄	28 ¹¹ / ₃₂	22	2	18 ⁵⁷ / ₆₄	43 ¹⁹ / ₆₄	17 ²³ / ₃₂
71	71	29 ¹ / ₈	47 ¹ / ₄	28 ³ / ₄	22 ⁵⁵ / ₆₄	2	17 ²³ / ₃₂	44 ³ / ₃₂	17 ²³ / ₃₂

	59	67	71
EMPTY (LB)	71	73	86
CAPACITY (GAL)	48	53	57

Approximate Measurements

Contact Maidstone for additional information and specifications. For complete warranty information and a list of dealers visit www.MaidstoneSupply.com. All products and specifications are subject to change without notice. Maidstone is not responsible for typographical and/or dimensional errors. Typographical errors are subject to correction.

Note: Rough-in dimensions may vary +/- 1/2" and are subject to change. No responsibility is assumed by Maidstone.