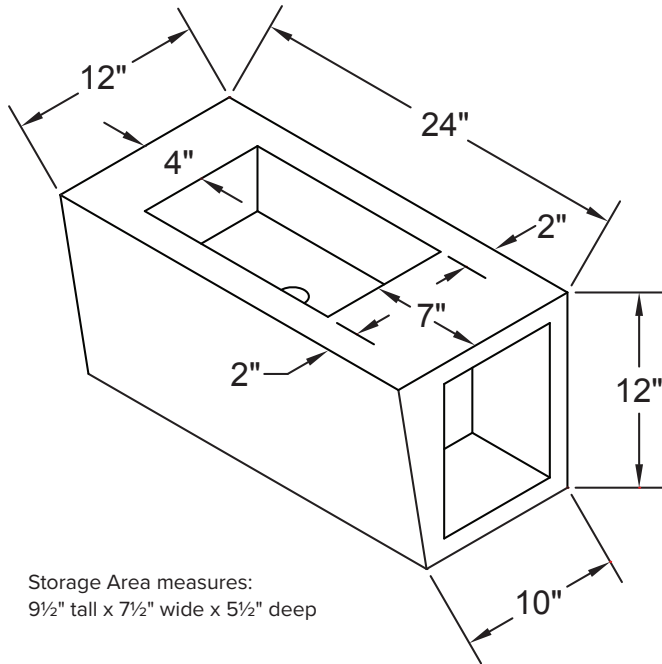
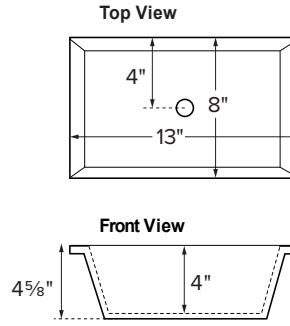


Petra 9 Wall-Mounted Vanity

MODEL MTCS-VWM809
24" x 12" x 12" Bowl: 13" x 8"
WALL-MOUNTED
SculptureStone®



Storage Area measures:
9½" tall x 7½" wide x 5½" deep



Left hand bowl shown, right hand bowl is mirror image.

LENGTH	FINISH	PART #	PRICE	
24" x 12" x 12"	Matte	VSWM2412MT	\$3,850	Crate / Handling Fee Applies
	Gloss	VSWM2412GL	\$4,565	

ORDERING AND INSTALLATION

- Comes without an overflow. Check local codes.
- Designed for wall-mount faucet or deck-mount beside bowl opposite storage shelf
- Unit comes without faucet holes. Specify up to 3 holes.
- 1.5" drain opening.
- Includes wall-mount cleat. Wall fasteners not included.
- Rear access opening for installation.
- Custom sizes are not available.
- One-piece construction using Engineered SculptureStone® (ESS) material.
- This material is non-porous, stain-, mold- and mildew-resistant.
- Approximately 70% of the material is organic, including minerals mined from the earth, making it "Green".
- Five-Year Limited Residential Warranty.

• Before discarding packaging, check for accessories that may be inside.
• All product measurements are ±1/2".
• Specifications and configurations are subject to change without notice.
• Measurements herein supersede all others published prior to publication date below.

Options <small>Must be ordered at time of purchase</small>	
Standard Color (CWH) White Color Upgrade (CBI) \$310 Biscuit	
Integrated Overflow Front Bowl Installation (CIOF) \$250	
Faucet Holes - comes standard without faucet holes 1-3 Holes (CFH) \$85	
Countertop Options Backsplash (CBSM) \$385 Sidesplash Left (CSL) \$285 Right (CSR) \$285	Textured Front Rippled (CTXR) \$205
Accessories	
Teak Sink Tray Slatted (TKST1) \$190 Solid (TKST2) \$220	
Sink Bottom Cover matching material color Matte (BCSMT) \$280 , Gloss (BCSGL) \$390 Packaging / Handling Fee Applies	
Upcharge, Ext. Color for Sink Bottom Cover Matte (SSCOLSBM) \$260 Gloss (SSCOLSBG) \$260	
Must specify color code: Sapphire Blue (SB), Blue Lagoon (BL), Terracotta (TC), Onyx (OX), Stratus Gray (TG), Stormgray (SG)	

Drain Kit *Ships with sink*

Finger Touch Drain

Without Overflow

- Chrome (DKFGCN) **\$185**
- Brushed Nickel (DKFGBNN) **\$190**

With Overflow

- Chrome (DKFGC) **\$185**
- Brushed Nickel (DKFGBN) **\$180**

Grid Drain

Without Overflow

- Chrome (DKGDCN) **\$115**
- Brushed Nickel (DKGDBNN) **\$180**

With Overflow

- Chrome (DKGDC) **\$130**
- Brushed Nickel (DKGDBN) **\$180** Toe Tap

Fixed Drain Without Overflow

Chrome (DKFDC) **\$300**

See Product Manual for details.
MTI's Customer Service
Monday-Friday 8am-6pm EST
800-783-8827 or service@mtibaths.com

