

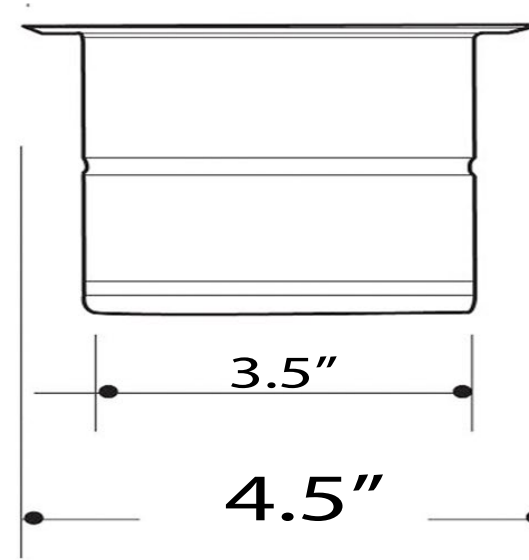
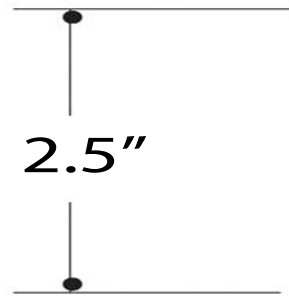
# Accessories Collection

Garbage disposal trim & strainer drain/extended drain flange



MODEL:

**3.5EDF-MBL**



## FEATURES

- Stainless steel construction / Matte black finish
- For use with ISE type disposal units with 3-3/8" I.D. (installation required)
- This collar is for thicker fireclay sink applications
- Extended Flange only - stopper/strainer is not included
- Diameter fits standard 3.5" kitchen sink drain openings

