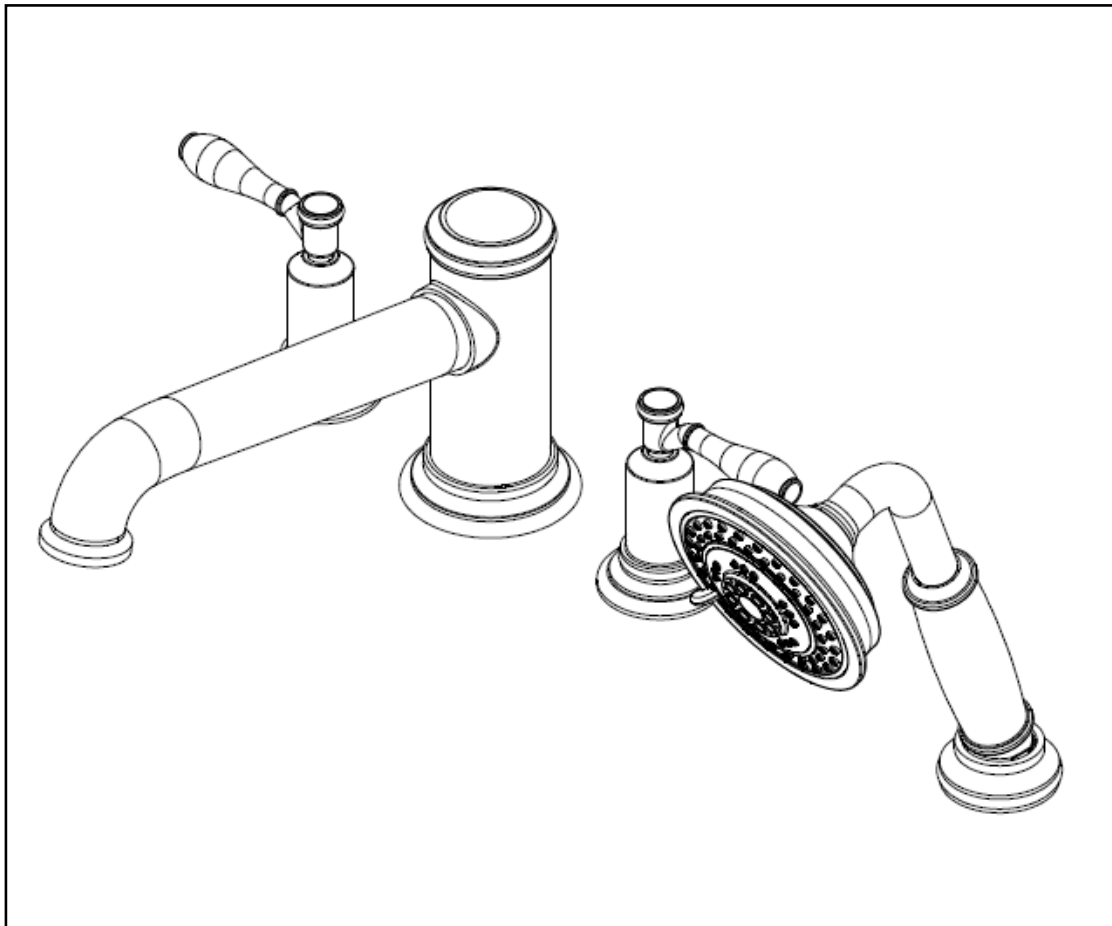


ROMAN TUB 3 VALVE AND TRIM INSTALLATION INSTRUCTIONS

Valve Model No`s	1-570
Trim Kit for Model No's	3-2557



NEWPORT BRASS

Flawless Beauty. From Faucet to Finish.™

2001 CARNEGIE AVE, SANTA ANA CA 92705

(949) 417-5207

WWW.NEWPORTBRASS.COM

We recommended Installation of this product by a Professional Plumbing Contractor

Note: Use plumbers tape or equivalent to seal all threaded joints.

Warning: To prevent severe damage to valve body, any solder/braze process must be performed a min. of 4" from ports.

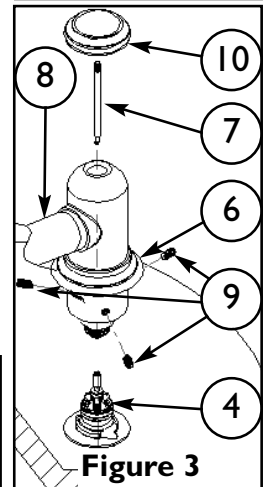
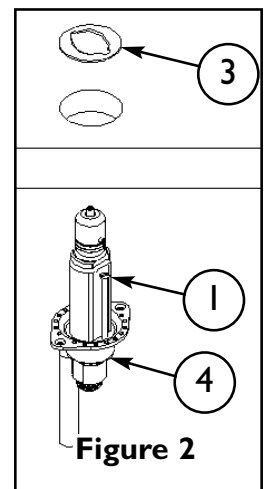
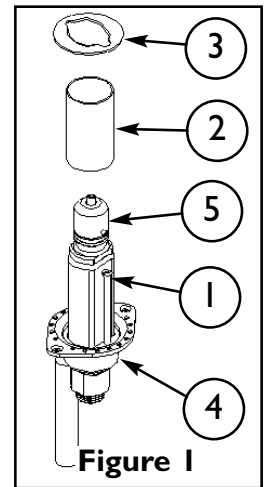
It is strongly recommended that an access panel(s) is built into the roman bath surround. Access panels allow for ease of trim installation and future possible repairs.

Diverter Installation (Finished Deck (Standard) Installation)

Note: Intended for surfaces up to 2-1/2" (63.5mm) thick.

Drill 1-3/8" (35mm) hole in deck.

- Loosen SCREWS (1) until cardboard TUBE (2) is free. Rotate WASHER (3) 90° and remove. Remove cardboard TUBE (2) and discard. See Figure 1.
- Diverter protective COVER (5) should remain on Diverter until spout is ready to install. (Remove by dis-engaging set screw.)
- Install Diverter (4) through hole from underside of deck. Note: Hot side of end valve is labeled. Replace WASHER (3) and rotate 90° to expose SCREWS (1). Secure into place by tightening SCREWS (1). See Figure 2.



Spout Installation

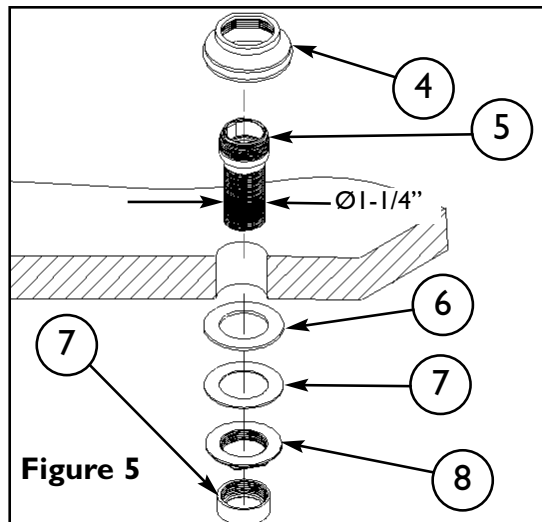
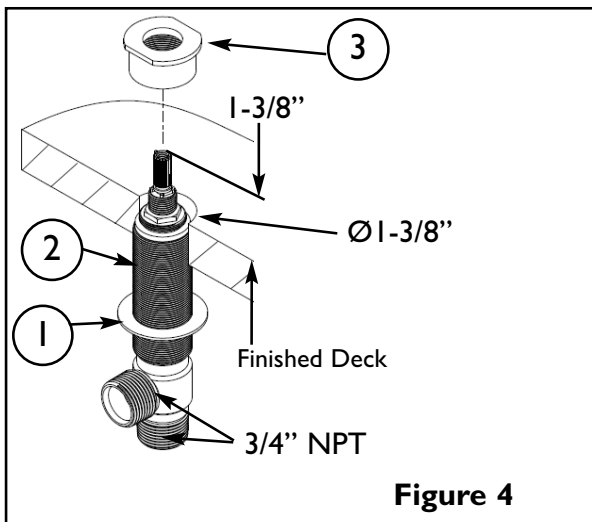
- Slide spout base RING (6) onto SPOUT (8).
- Thread diverter ROD (7) onto KNOB (10). Slide ROD (7) through SPOUT (8).
- Place SPOUT (8) over VALVE (4). Rotate KNOB (10) to thread lower end of ROD (7) to VALVE (4). Secure into place with SETSCREWS (9), 3 places.
- Slide base RING (6) down and flush with deck. See Figure 3.

Valve Installation

- Place flange NUT (1) on valve BODY (2).
- Insert BODY (2), (blue cold & red hot), through hole from below mounting surface. Adjust and secure with inverted flange NUT (3) so that the top of valve stem is 1-3/8" above the mounting surface. See Figure 4.

Deck Flange Installation (The maximum distance between mounting holes is 18")

- Attach deck FLANGE (4) onto NIPPLE (5).
- Insert NIPPLE (5) through hole in mounting surface.
- Place rubber WASHER (6), brass WASHER (7) and flange NUT (8) onto NIPPLE (5) and tighten.
- Attach plastic SLEEVE (9) onto end of NIPPLE (5). See Figure 5.



Trim Installation

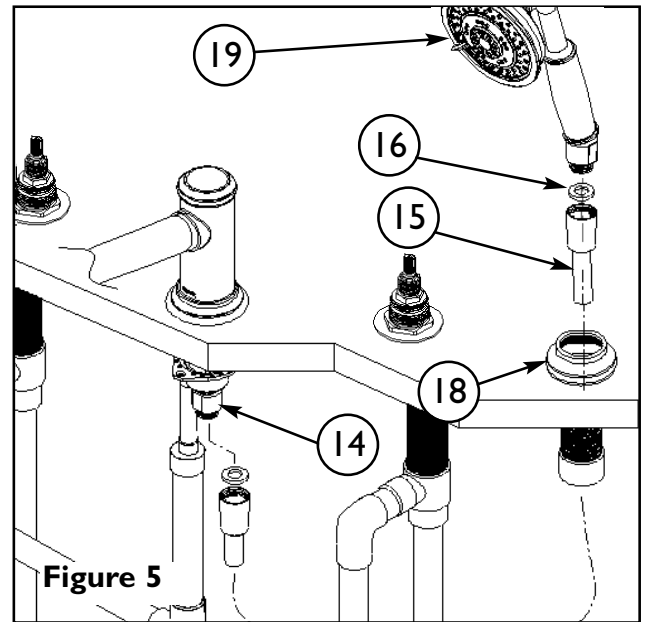
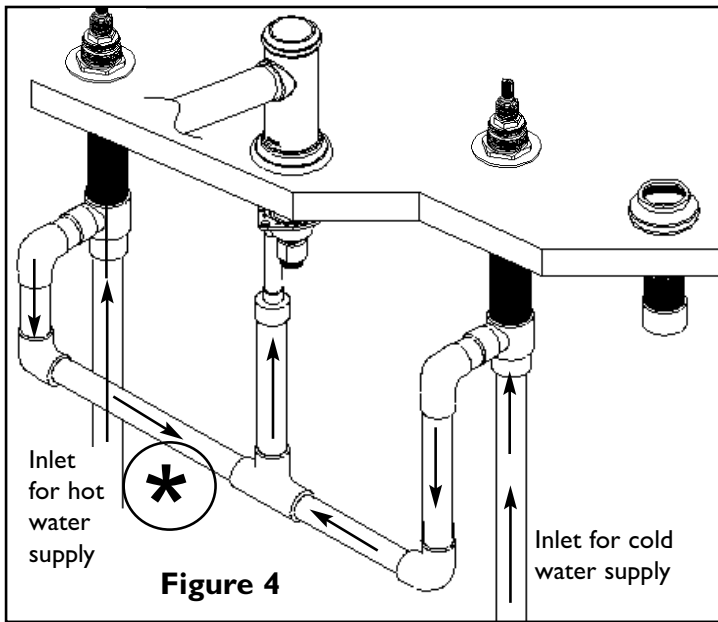
- Utilizing 3/4" copper pipe, make connections between spout, valves & water supply. See Figure 4.

Warning: To prevent severe damage to valve body, any solder/braze process must be performed a min. of 4" from ports.

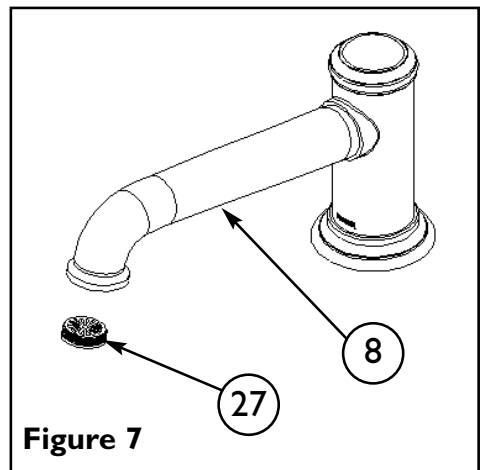
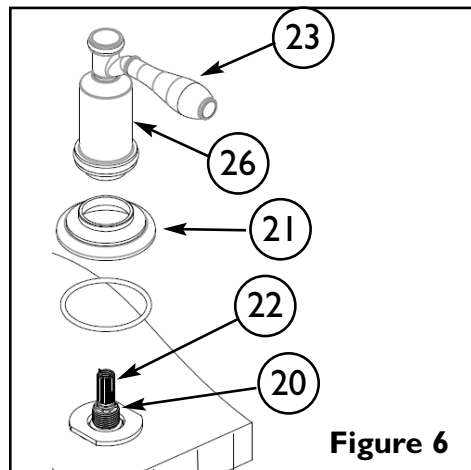
- Apply thread sealant and insert a rubber WASHER (16) into each end of HOSE (15).
- Attach one end of HOSE (15) to diverter OUTLET (14). Pull other end through deck FLANGE (18) and attach to hand SHOWER (19). Place hand SHOWER (19) into deck FLANGE (18). See Figure 5.
- Place o-ring and ESCUTCHEON (21) over VALVE STEM (22). Secure and position handle LEVER (23) into place by first engaging VALVE STEM (22), and then threading BONNET (26) onto CARTRIDGE (20). **Note:** Any adjustments for rotational alignment must be made to the valve BODY (2), not to the CARTRIDGE (20). Repeat for all handles. See Figure 6. (Cartridge Bonnet factory torque is 14-16 ft-lbs.)

Using a thin blade screwdriver, remove AERATOR (27) from SPOUT (8). Turn on water supply,

- and flush both valves until water is clear. Check for leaks and make any final adjustments required. Re-attach AERATOR (27) to the SPOUT (8). See Figure 7.



***** Note: Some states require a ASSE 1016 approved Tempering Valve installation with this product. See the following disclaimer for proper installation.



Disclaimer Regarding Roman Tub with Hand Spray

To conform to local codes and ordinances, all Roman tub with hand spray products should be used in concert with an ASSE 1016 approved tempering valve to reduce the hot water supply to a safe temperature not exceeding 110°F (43°C).

Important: Water temperatures in excess 110°F (43°C) are dangerous and may cause scalding, severe injury or death!

Tempering valve should be installed and adjusted by a licensed contractor per the valve manufacturer installation instruction, and in accordance with local codes and ordinances. In general, key characteristics to ensure a tempering valve to work best with Roman tub with hand spray products shall be as follows:

- Tempering valve should be used prior to the Roman tub product to reduce the hot water supply to a safe temperature.
- To ensure sufficient water flow through the tub spout, tempering valve should be capable to handle a flow rate of 10 gpm or more.
- Tempering valve should include inlet filter washer and check valves in both the hot and cold water inlets to protect against cross flow.

Pressure - Temperature - Flow Rate

Minimum supply pressure static: 30psi (207 kPa)

Inlet temperature: hot inlet, 120°F – 180°F (49°C – 82°C)

cold inlet, 39°F – 85°F (4°C – 29°C)

Temperature out: Field range: 80°F -120°F (27°C – 49°C), adjustable. Accurate within +/-3°F (1.7°C)

Maximum temperature: 200°F (93°C)

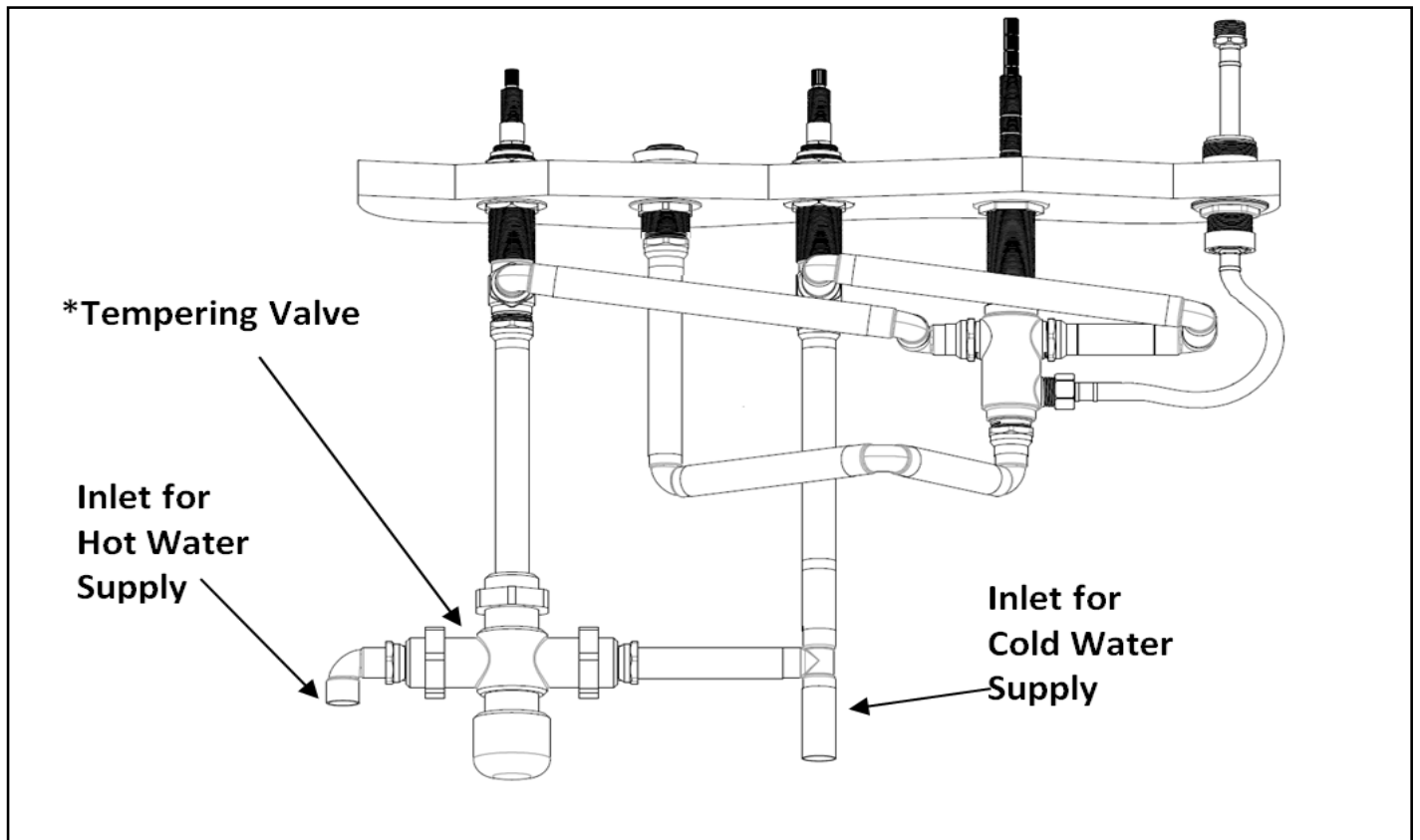
Maximum pressure: 150psi (10.3 bar)

Minimum flow: 0.5 gpm (1.9 lpm) @ 0.8psi (0.55 kPa)

Maximum flow: 20 gpm (76 lpm) @ 125psi (862 kPa)

***Note:** Valve should be installed in a location where it is accessible for cleaning or service. Due to the effects of various water conditions, periodic verification of outlet water temperature is required.

NWP-I-570



NWP-I-570

EN-3271

REV A

1/8/18