

**Features**

- Solid brass construction
- Complements Keaton product series

**Towel Bar**  
**36-01**

**Codes / Standards Compliance**

Meets or exceeds the following at date of manufacture:

- All applicable US Federal and State material regulations

**Colors / Finishes**

- 10B: Oil Rubbed Bronze
- 15: Polished Nickel
- 15S: Satin Nickel - PVD
- 26: Polished Chrome
- Other: Refer to the Newport Brass catalog for additional color/finish options.



**Specified Model**

| Model | Description   | Colors   Finishes            |                             |                              |                             |                                |
|-------|---------------|------------------------------|-----------------------------|------------------------------|-----------------------------|--------------------------------|
| 36-01 | 18" Towel Bar | <input type="checkbox"/> 10B | <input type="checkbox"/> 15 | <input type="checkbox"/> 15S | <input type="checkbox"/> 26 | <input type="checkbox"/> Other |

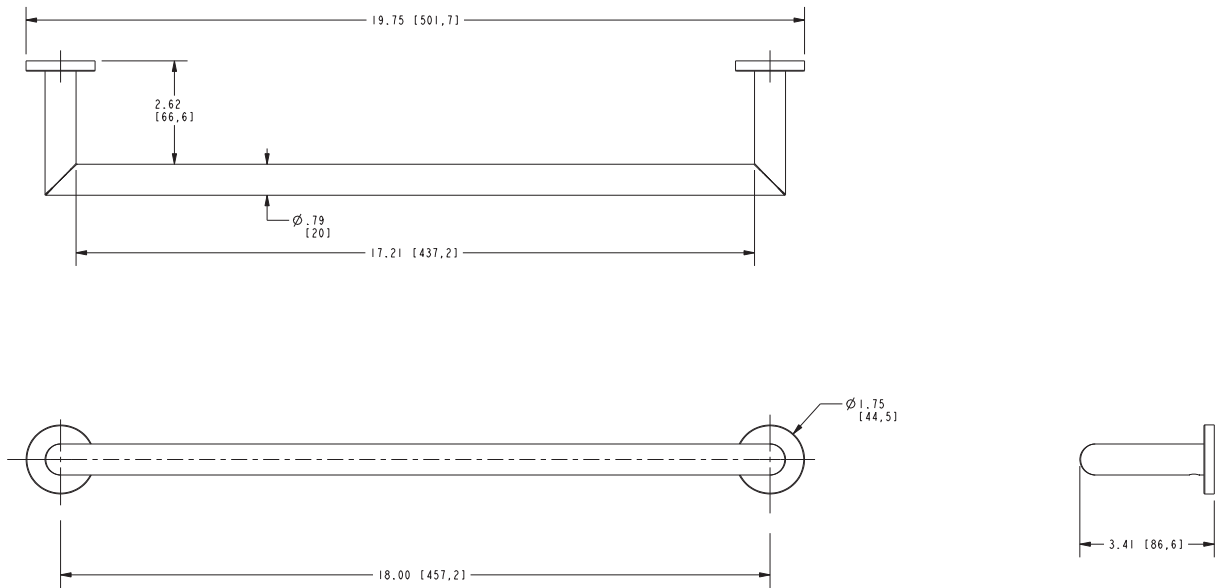
**Product Specification** Add "Color / Finish" suffix to Model number, below.

The Towel Bar shall be made of solid brass construction. Towel Bar shall complement Newport Brass Keaton product series. Towel Bar shall be Newport Brass Model 36-01/\_\_\_\_\_ .

# 36-01

## PRODUCT DIMENSIONS *(Units are in inches)*

Product Dimensions are provided for reference only. For specific product installation guidelines, please reference the Installation Instructions of the product being installed.



### Keaton Towel Bar 36-01