

MODERN Product Data

Knob and Lever Latchsets

- Will fit 2 1/8" bore.
- For residential and commercial use.
Consult with OMNIA for commercial applications.
- 2 3/8" and 2 3/4" backsets available.
- Supplied for 2 3/8" backset and 1 3/8" door thickness unless otherwise specified.
- All lever latchsets are ADA approved.

Concealed Screw Roses

Modern 2 9/16" dia. x 3/8" proj.
Square 2 9/16" sq. x 7/16" proj.

Roses have been specifically designed for use with the knobs and levers with which they are shown in this catalog. Each set consists of solid brass knobs or levers, concealed screw finished roses, metal thru-bolting rose cassette, latch, strike, dust box, faceplate, spindle, all necessary mounting screws, installation template and instructions.

About Our Tubular Latch

- All dimensions are standard to fit existing bores for replacement installations.
- Tough, non-rusting materials used throughout. Face covers and strikes are solid brass. No. 013 "T" strike supplied as a standard or No. 014 "Full Lip" strike as an option. No. 019 4 7/8" ASA strike also available for an additional charge. Specify when ordering.
- Critical interior parts are made of solid brass.
- For over fifty-five years OMNIA's latches have been opening and closing millions of doors all around the world.
- 28° rotation to retract latch.



DRAWINGS NOT TO SCALE

Knob Latches

- 105KPA38: 2 3/8" backset, passage knob latch
105KPA34: 2 3/4" backset, passage knob latch
106KPR38: 2 3/8" backset, privacy knob latch
106KPR34: 2 3/4" backset, privacy knob latch

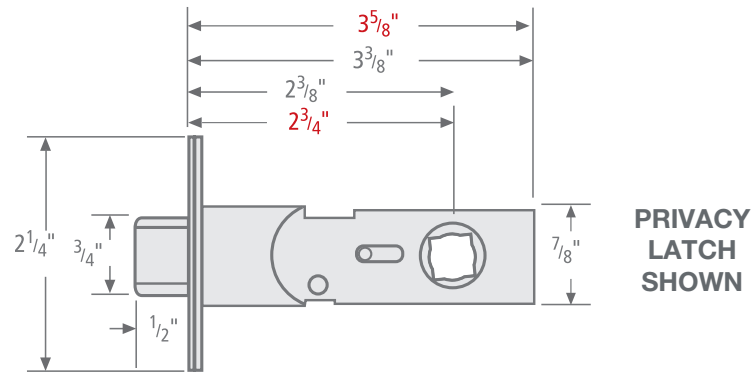
Lever Latches

- 105LPA38: 2 3/8" backset, passage lever latch
105LPA34: 2 3/4" backset, passage lever latch
106LPR38: 2 3/8" backset, privacy lever latch
106LPR34: 2 3/4" backset, privacy lever latch

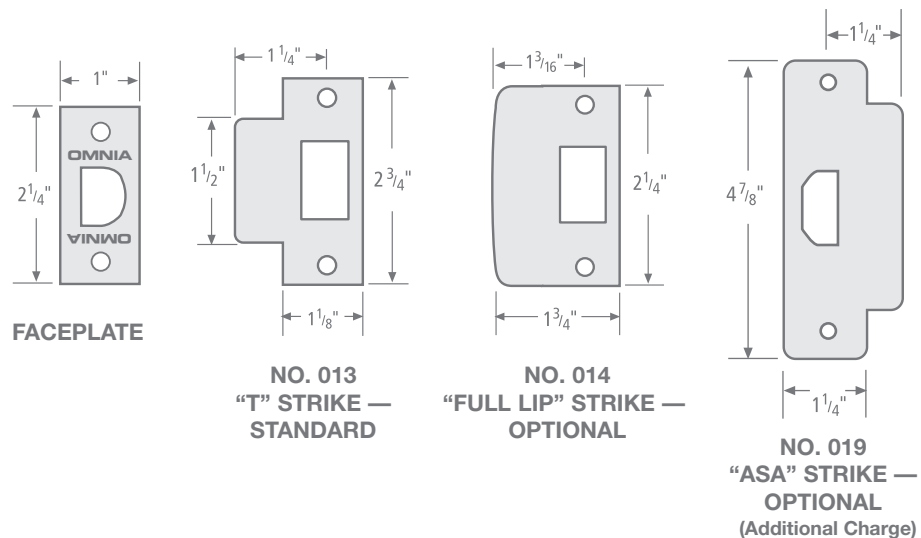
The above part numbers should be used when ordering latch only.



All OMNIA lever latchsets meet ADA accessibility requirements.



SPECIFY 2 3/8" OR 2 3/4" BACKSET.



MODERN Product Data

Sub-Rose Cassette Features

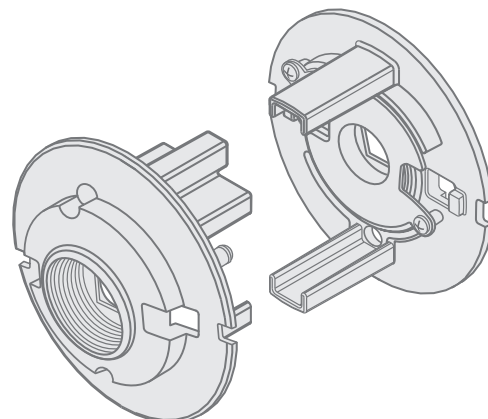
Metal sub-roses feature self-aligning thru-bolts. Spring-assisted outside and inside. Three spring tensions are available: Knob Strength, Lever Strength and Heavy Duty Lever Strength.

#982/K Sub-Rose Cassette: Knob Strength Spring

#982 Sub-Rose Cassette: Lever Strength Spring

#982/HD Sub-Rose Cassette: Heavy Duty Lever Strength Spring

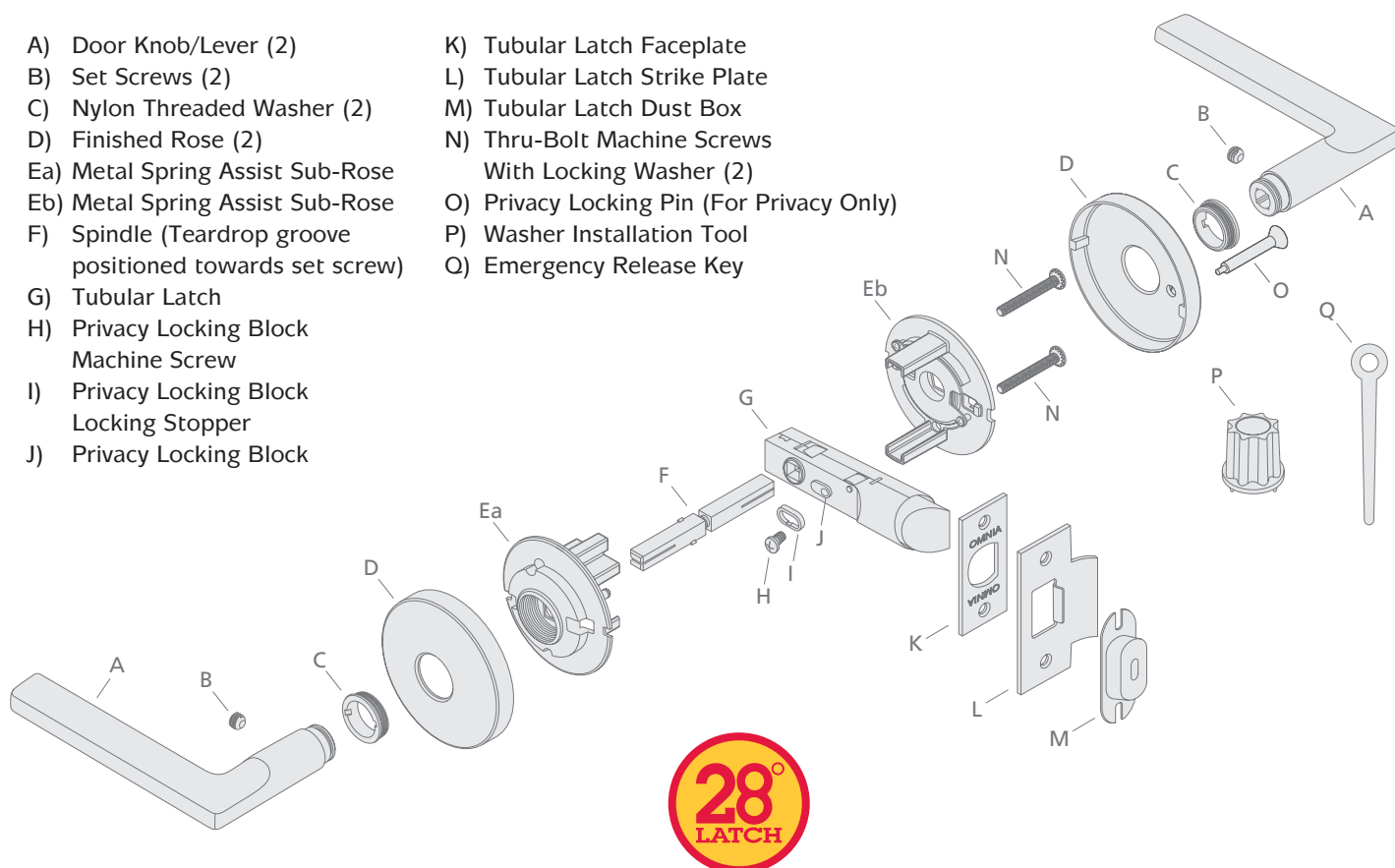
#982/PD Sub-Rose Cassette: Pair Dummy



Component parts Ea & Eb as shown below.

Latchset Components – Exploded To Show Detail

- | | |
|---|---|
| A) Door Knob/Lever (2) | K) Tubular Latch Faceplate |
| B) Set Screws (2) | L) Tubular Latch Strike Plate |
| C) Nylon Threaded Washer (2) | M) Tubular Latch Dust Box |
| D) Finished Rose (2) | N) Thru-Bolt Machine Screws |
| Ea) Metal Spring Assist Sub-Rose | With Locking Washer (2) |
| Eb) Metal Spring Assist Sub-Rose | O) Privacy Locking Pin (For Privacy Only) |
| F) Spindle (Teardrop groove positioned towards set screw) | P) Washer Installation Tool |
| G) Tubular Latch | Q) Emergency Release Key |
| H) Privacy Locking Block Machine Screw | |
| I) Privacy Locking Block Locking Stopper | |
| J) Privacy Locking Block | |



DRAWINGS NOT TO SCALE

MODERN Product Data

Functions

- **Passage:** Latch operates by lever (or knob) from either side of door.
- **Privacy:** Latch operates by lever from either side of door. Push button on interior rose engages privacy; emergency release hole is on exterior rose. Turning inside lever will release privacy and retract latchbolt. For bathroom or bedroom.

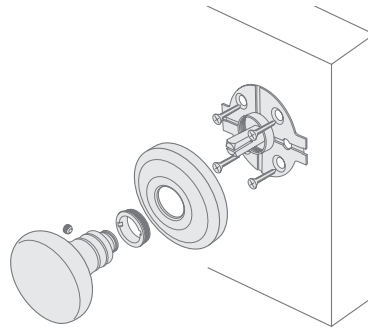
- **Pair Dummy:** Trim on both sides of door. Lever with thru-bolted, concealed screw rose set.
- **Single Dummy:** Lever trim on one side of the door only. Available for surface mounting or thru-bolting.

Dummy applications not recommended for commercial use.

Single or Pair Dummy Roses —

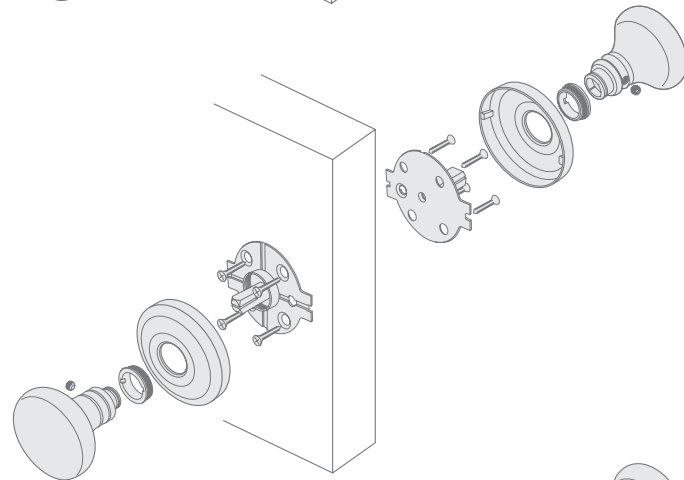
Single Dummy Rose

1. **Surface Mounted, Concealed Screws**
No screws are exposed. Shipped unassembled.



Pair Dummy Rose Options

1. **Surface Mounted, Concealed Screws**
No screws are exposed. Shipped unassembled.
2. **Dummy for 2 1/8" Bore, Concealed Screws**
No screws are exposed. Shipped unassembled.



Applies to:
 OMNIA MODERN
 OMNIA TRADITIONS
 The CLASSICO Collection

DRAWINGS NOT TO SCALE

