

## Pressure Balance Tub and Shower Set

DPB2130



### TECHNICAL DETAILS

ADA Compliance: Yes  
 Access Hole Diameter: 5"  
 Handle Turn Angle: 115°  
 Spout Reach: See List Below  
 Type of Connection: Female 1/2" NPT Connection  
 Installation Type: Wall Mounted  
 Primary Material: Brass  
 Valve Material: Ceramic  
 Shower Flow Restriction: 1.8 GPM  
 Spout Flow Restriction: Full Flow  
 Water Pressure Maximum: 85 PSI  
 Water Pressure Minimum: 20 PSI  
 Water Pressure Recommended: 60 PSI

### PRODUCT FEATURES

- Style: Contemporary
- Collection: Basic
- Temperature Controlled By Pressure Balance
- Lever Handle

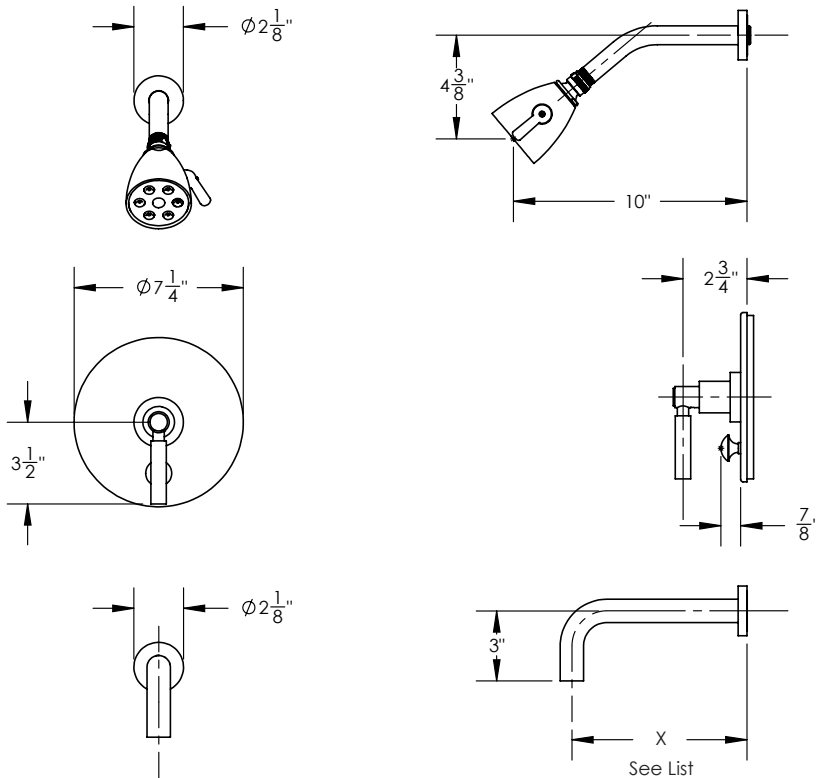
### CODES & STANDARDS



ASME A112.181/ CSA B1251, ASME 112.18.2/ CSA B125.2, ANSI NSF, CEC, Watersense 61 Sect. 9, State of MA.

### WARRANTY

Mechanical Warranty: 10 Years from date of purchase.  
 Finish Warranty: See catalog for further information.



### DIFFERENT SPOUT SIZES

DPB2130	X = 7 1/2"
DPB2130-10	X = 10"
DPB2130-12	X = 12"
DPB2130-14	X = 14"