

## Drake® WASHLET®+ C2 Two-Piece Toilet - 1.6 GPF

### FEATURES

- Concealed supply connection for seamless installation
- TORNADO FLUSH® system, (1.6 GPF/6.0 LPF)
- CEFIONTECT® ceramic glaze minimizes waste from sticking to porous ceramic surfaces.
- 12" Rough-in, supply line sold separately
- Universal Height
- Chrome plated trip lever
- Elongated front bowl and WASHLET+ C2 and tank set
- EWATER+® auto-cleans wand
- On-demand remote function cleans wand with EWATER+
- PREMIST® of bowl before each use
- Convenient arm control panel

### MODELS

- MW7763074CSFG (#01)  
With CEFIONTECT ceramic glaze, WASHLET+ C2
- C776CEFGT40  
Elongated bowl with CEFIONTECT
- ST776SA  
Tank and cover only
- SW3074T40  
WASHLET+ C2

### OPTIONAL COMPONENTS

- THU808(#01, #03, #11, #12, #51, #PN, #BN, #RB)-A  
Trip Lever - Cotton, Bone, Colonial White, Sedona Beige, Ebony, Polished Nickel, Brushed Nickel, Oil Rubbed Bronze)

### COLORS/FINISHES

- #01 Cotton



**TORNADO FLUSH**



**EWATER+**



**CEFIONTECT**



**UNIVERSAL HEIGHT**

### PRODUCT SPECIFICATION

The two-piece TORNADO FLUSH toilet shall be 1.6 GPF/6.0 LPF. Universal Height Toilet with CEFIONTECT glaze finish. Toilet shall have high-profile tank, elongated front bowl and chrome trip lever. Toilet shall be TOTO Model MW7763074CSFG#01.

See TOTO Specification sheet SW3074T40 for details on required WASHLET.

### CODES/STANDARDS

- Meets and exceeds ASME A112.19.2/CSA B45.1
- Certifications: IAPMO(cUPC®)
- Code Compliance: UPC, IPC, NSPC, NPC Canada, and others
- ADA compliant (when installed with trip lever located on the approach side)



# MW7763074CSFG

## Drake® WASHLET®+ C2 Two-Piece Toilet - 1.6 GPF

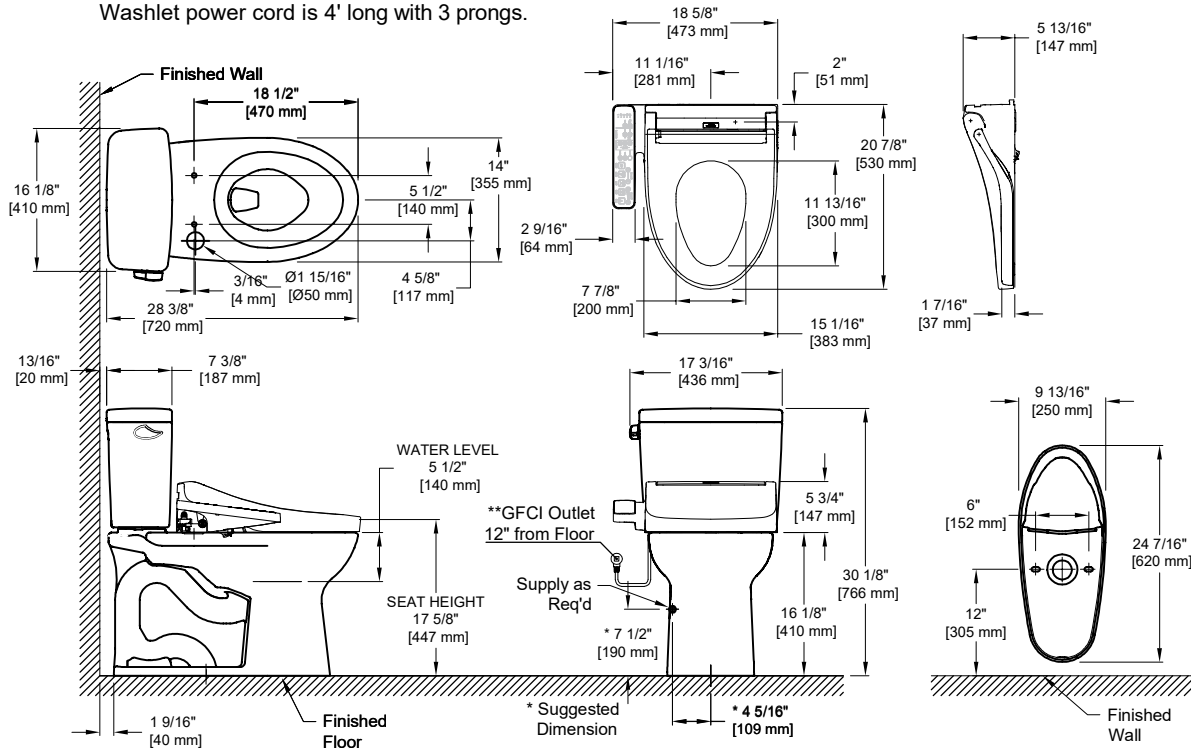
### SPECIFICATIONS

<b>Water Use</b>	1.6 GPF (6.0 LPF)
<b>Flush System</b>	TORNADO FLUSH®
<b>Min. Water Pressure</b>	8 psi (Flowing)
<b>Water Surface</b>	9" x 6-7/8"
<b>Trap Diameter</b>	2-1/8"
<b>Rough-in</b>	12"
<b>Trap Seal</b>	2-1/8"
<b>Warranty</b>	One Year Limited Warranty
<b>Material</b>	Vitreous China
<b>Shipping Weight</b>	C776CEFGT40 62 lbs. ST776SA 32 lbs.
<b>Shipping Dimensions</b>	C776CEFGT40 30-1/8" L x 15-1/4" W1 x 10-7/8" W2 x 17-3/4" H ST776SA 18-3/4" L x 8-7/8" W x 16-1/4" H

See SW3074T40 Specification Sheet for details on included WASHLET.

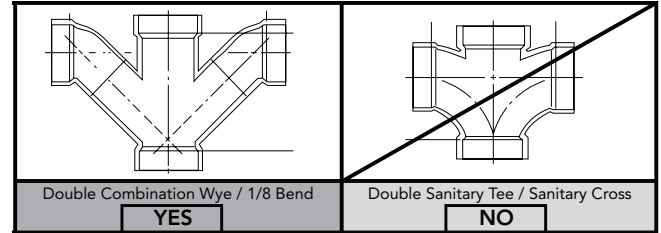
### DIMENSIONS

\*\*GFCI outlet of 120V, 10amps.  
Washlet power cord is 4' long with 3 prongs.



### INSTALLATION NOTES

Back-to-Back Toilet Installations:  
TOTO recommends the use of a nationally listed, double sanitary tee-wye only, in vertical waste stacks, in accordance with the stipulations noted in the majority of nationally recognized plumbing codes.



To maintain adequate wall gap between the back of the tank and wall, mount the floor flange at a nominal 12" rough-in distance.

**TOTO®**

These dimensions and specifications are subject to change without notice