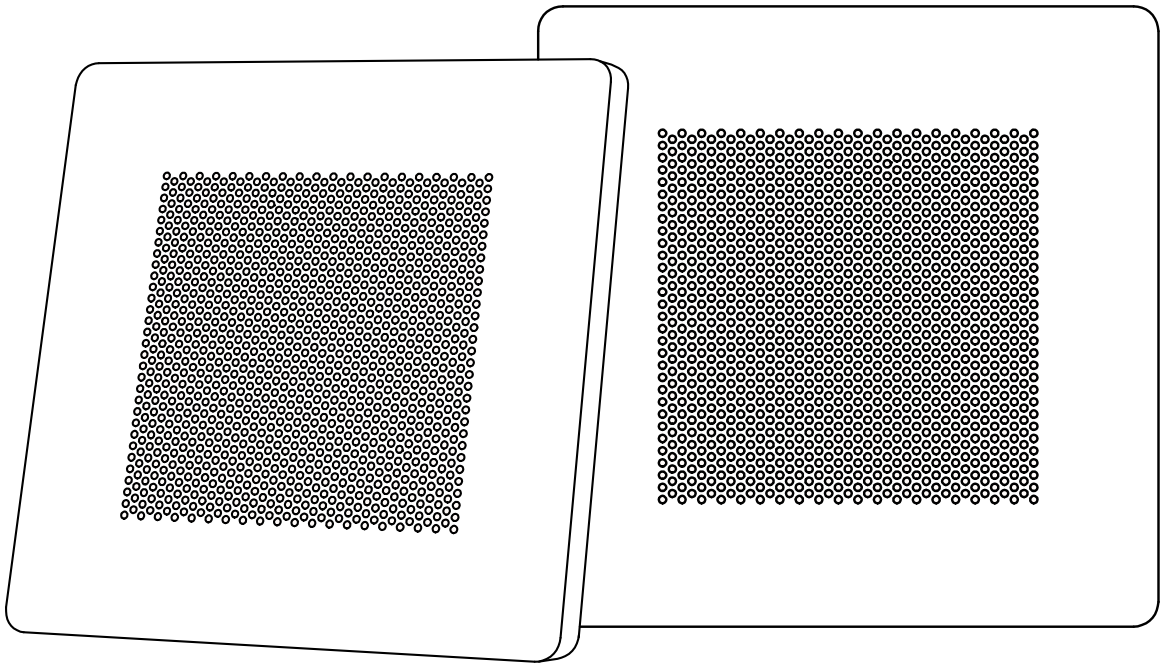


Self Powered Bluetooth Speakers



Installation Manual

For Tutorials and Troubleshooting visit www.thermasol.com/solutions

SPBS-XX



OVER 60 YEARS OF STEAM SHOWER INNOVATION

1 Important Information Before You Install

PLEASE REVIEW WARNINGS BELOW AND LEAVE THIS MANUAL WITH HOMEOWNER

DO NOT USE THIS PRODUCT UNLESS YOU HAVE CONSULTED WITH YOUR DOCTOR AND RECEIVED WRITTEN PERMISSION TO DO SO. USE OF THIS PRODUCT MAY BE HAZARDOUS TO YOUR HEALTH.

PLEASE CONSULT YOUR PHYSICIAN BEFORE USING. IF YOU ARE PREGNANT, ELDERLY, HAVE HIGH BLOOD PRESSURE, DIABETES, SUFFERING FROM HEART DISEASE, ARE INTOXICATED, OR NOT IN GOOD HEALTH, DO NOT USE THIS STEAM BATH.

STEAM IS HOT! DO NOT TOUCH OR GO NEAR THE STEAMHEAD FROM THE TIME THE UNIT IS "ON," UP TO ONE HOUR AFTER IT HAS SHUT OFF. SEVERE BURNS WILL OCCUR IF YOU COME IN CONTACT WITH THE STEAMHEAD OR STEAM EMITTING FROM THE STEAMHEAD.

NEVER ATTEMPT TO FILL AROMA RESERVOIR ON THE STEAMHEAD WHEN UNIT IS IN THE "ON" POSITION. SEVERE BURNS WILL OCCUR.

DO NOT USE THERMASOL AROMATHERAPY OILS, SKIN CARE PRODUCTS OR ANY PRODUCT ASSOCIATED WITH YOUR THERMASOL UNIT WITHOUT CONSULTING WITH YOUR ALLERGIST OR DOCTOR BEFORE USE. THESE PRODUCTS MAY BE HAZARDOUS TO YOUR HEALTH.

DO NOT USE STEAM ROOM WHILE UNDER THE INFLUENCE OF ALCOHOL OR DRUGS, AS THIS CAN BE HAZARDOUS TO YOUR HEALTH.

YOUR SHOWER MAY BE A SLIP-AND-FALL HAZARD. CHECK WITH YOUR CONTRACTOR OR FLOORING MANUFACTURER REGARDING THE SAFE USE OF YOUR FLOORING IN A STEAM APPLICATION. SLIPPING AND FALLING INTO THE STEAMHEAD ITSELF OR INTO THE STREAM OF STEAM EMITTING FROM THE STEAMHEAD WILL CAUSE SERIOUS BURNS OR PHYSICAL INJURY.

IF YOU ARE FEELING UNCOMFORTABLE, DIZZY, FAINT, OR STARTING TO FALL ASLEEP, IMMEDIATELY EXIT THE STEAM ROOM.

DO NOT USE STEAM ROOM IF YOU ARE UNDER THE AGE OF 16 UNLESS SUPERVISED BY AN ADULT.

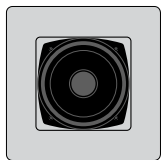
THERMASOL STEAM BATH GENERATORS ARE NOT DESIGNED TO BE USED FOR SPACE HEATING PURPOSES.

THERMASOL STEAM BATH GENERATORS ARE FOR INDOOR USE ONLY. THEY SHOULD NEVER BE LOCATED OUTSIDE THE HOME.

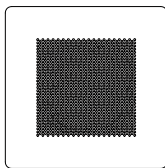
ALL PRODUCTS MUST BE INSTALLED IN ACCORDANCE WITH INSTALLATION INSTRUCTIONS PROVIDED. FAILURE TO DO SO MAY INVALIDATE WARRANTY AT MANUFACTURER'S DISCRETION. ©2019 THERMASOL.

2 Tools and Materials

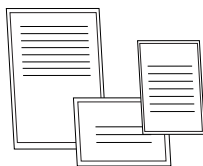
Parts Enclosed:



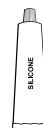
Bluetooth Speaker
Item SPBS-XX



Speaker Grill



Installation instructions



Silicone x2

Compatible with:

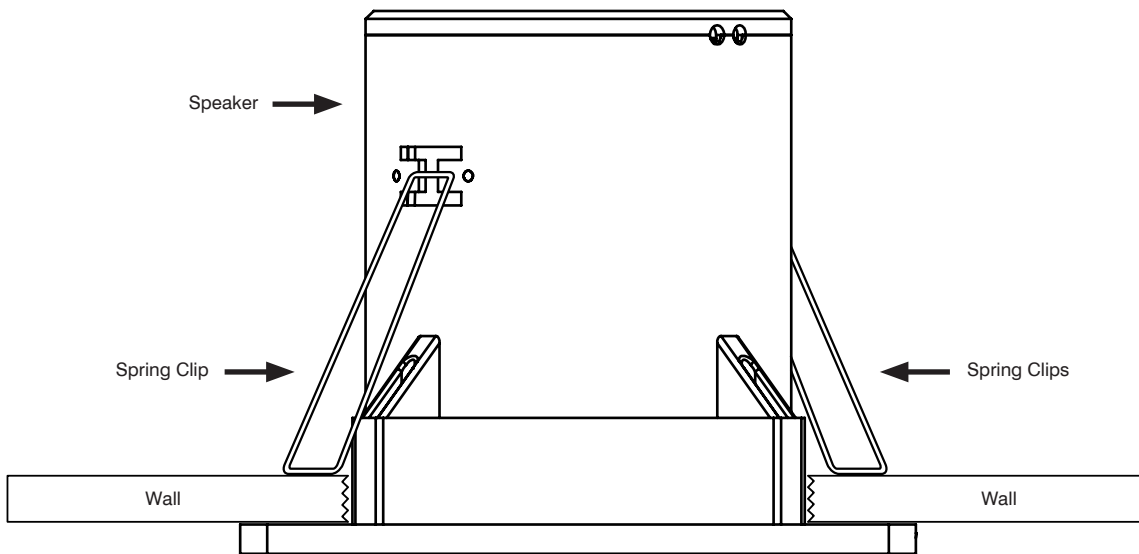
ThermaTouch 7" and 10" and any bluetooth audio enable device.

Materials included:

- Primary speaker
- Secondary speaker
- Speaker Grills
- 6' speaker wire
- 110VAC power plug- cord

Materials needed:

- 110V Power Plug
- Tile/Mason Saw
- Temperately tape



Installation Profile View

3 Cutting Template

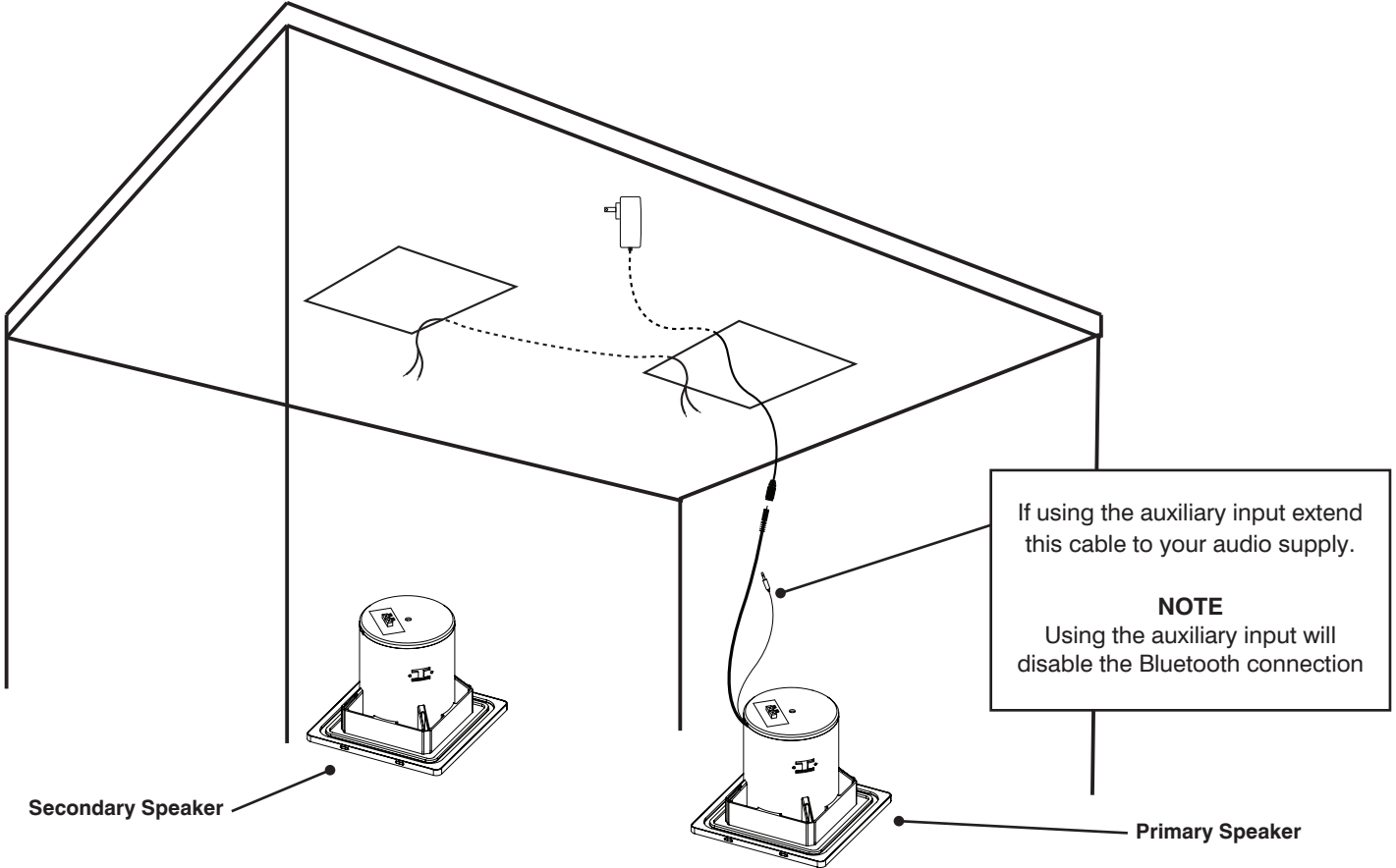
After completing the shower construction, use the template included in these instructions (page 5):

- After choosing the desired location, use the printed template on page 7, tape the template to the ceiling. Carefully cutout template with tile/mason saw.
- Then proceed cutting the cutout

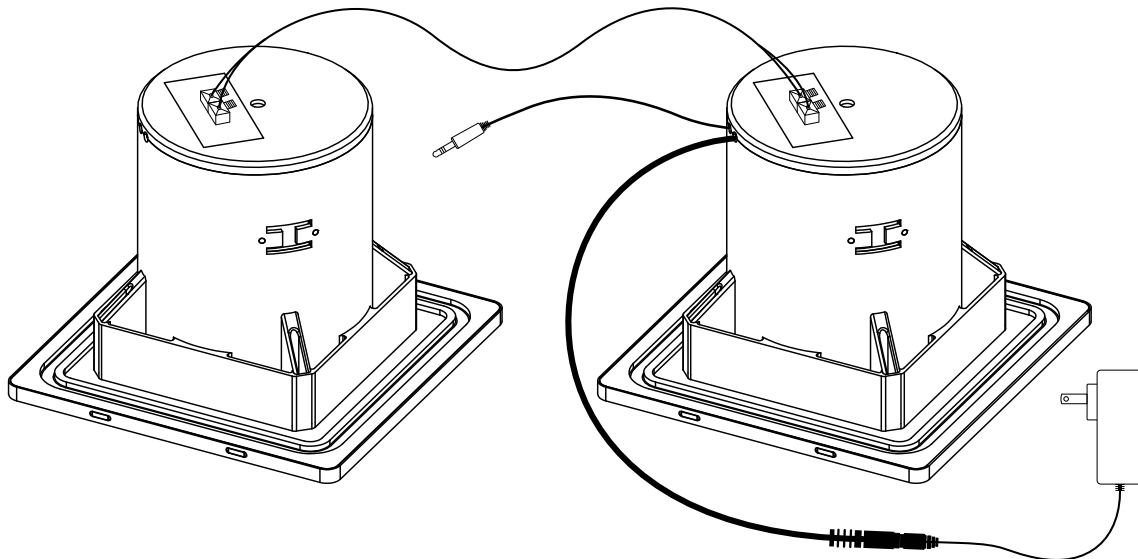
Note: Template must be printed out at actual size.

4 Placing and Sealing Speakers

A Run the speaker wires and power cable through the cutouts and connect to the speakers.



B Connect speaker wires and power adapter to speakers.

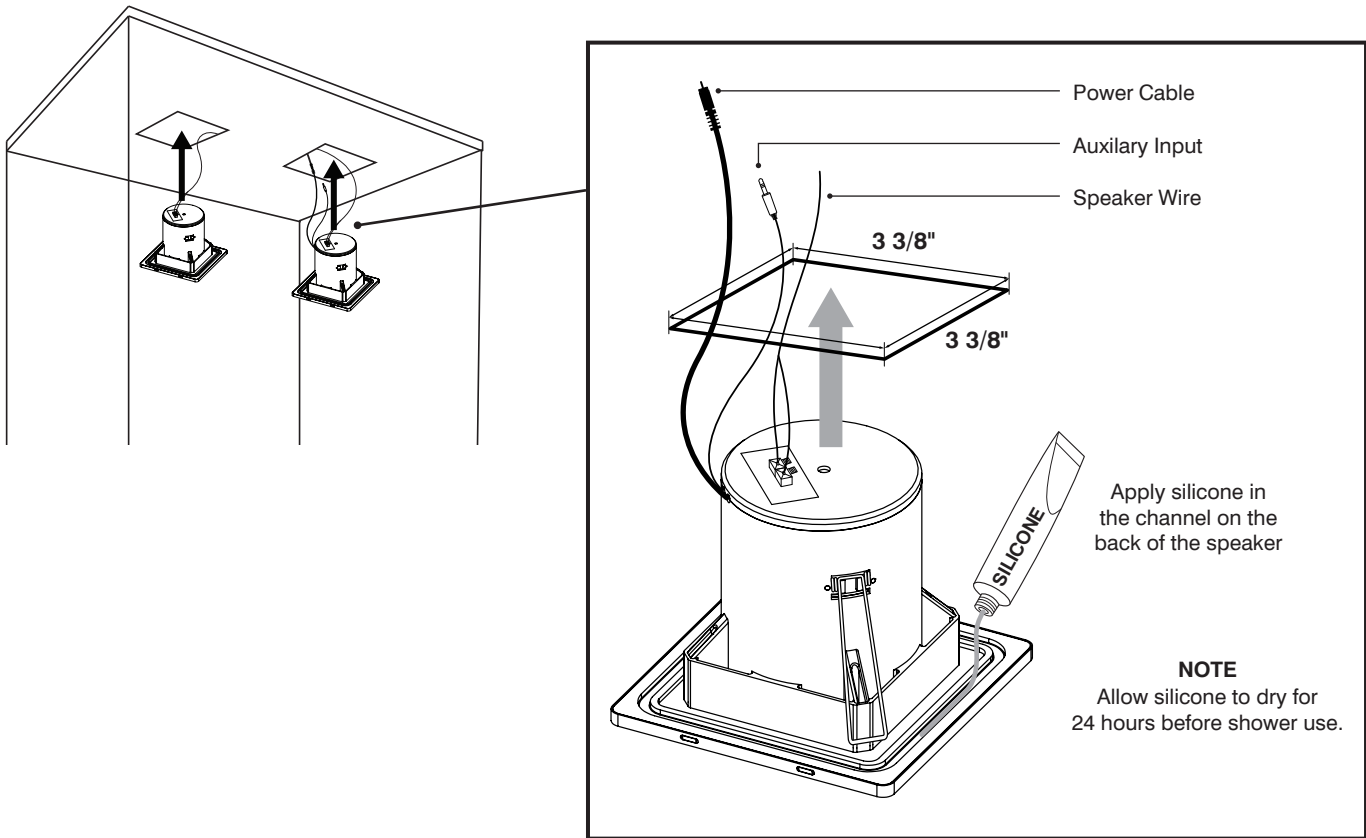


4 Placing and Sealing Speakers

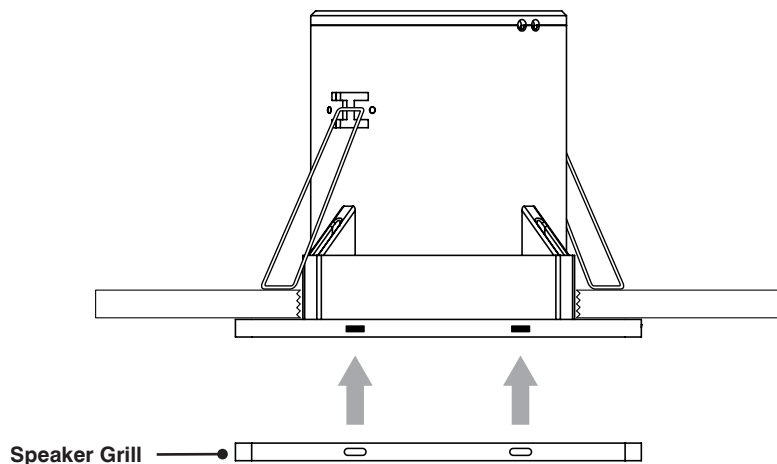
- C** Apply the supplied silicone in the channel on the back of the speaker and insert the speaker into the cutout, sealing it to the wall. Allow silicone to dry for 24 hours before use.

NOTE

TEST SPEAKERS WITH YOUR AUDIO SYSTEM BEFORE SEALING THEM INTO PLACE WITH SILICONE



- D** Once the silicone has dried for 24 hours, align the slots in the grill with the tabs on the speakers and snap into place



5 Pairing Your Device

Enable your Bluetooth device, search for the device named "Thermasol".

Click pair, you will hear an audio tone once paired.

Template must be full
scale 1:1 when printed



3.375" x 3.375"



3.375" x 3.375"



1958 STEAM WAY ROUND ROCK, TX 78665
PHONE: 800.776.0711 | FAX: 800.556.5257 | WWW.THERMASOL.COM