

Installation Instructions

for Deck Mounted Lotion/Soap Dispensers



Applicable for the MLD2, MLD3, MLD4, MLD5, MLD6, MLD6, & MLD7 models.
The MLD2 will be used as an example in this manual.

IMPORTANT INFORMATION

Thank you for choosing Watermark! We appreciate your commitment to Watermark quality products. Before you install the product, please fully review these installation instructions.

Before installation, unpack the product and inspect it for any damage. Make sure all the parts are present. If not installing immediately, place the product back into its protective packaging.

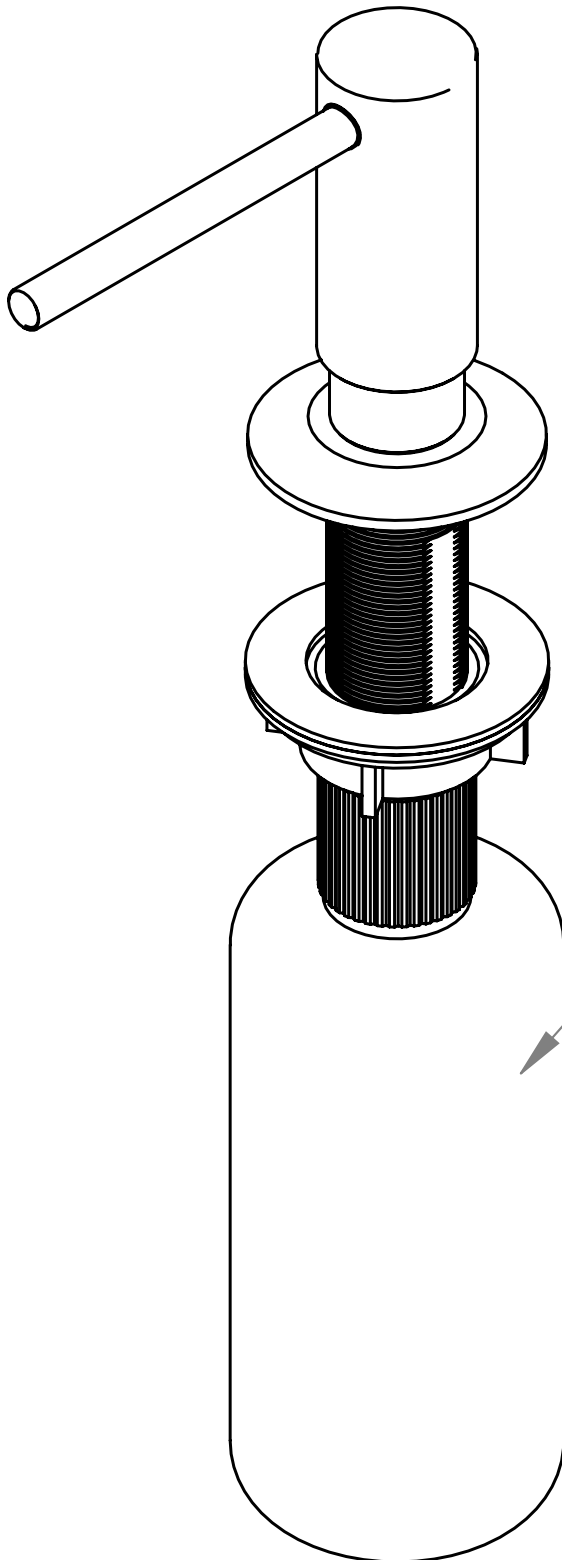
The appearance of the product may be different than what is shown in this installation manual, but the installation procedure will be the same.

Installation considerations:

- Professional installation by a licensed plumber is strongly recommended.
- Product should be installed according to local codes and regulations.
- When installing:
 - Use Teflon tape or pipe sealant for threaded connections.
 - DO NOT use plumber's putty on any brass components. This may cause the finish to tarnish and void the warranty. Alkoxy silicone is recommended instead.
 - Flush the lines before and after installation (if applicable).
 - If the lines are sweated, do not overheat casting, which may damage mechanisms.
- Copper adaptors may be required to complete installation.

If you encounter any issues, please contact our technical support team at the number listed at the bottom of this page or email us at: technical@watermark-designs.com

PARTS BREAKDOWN



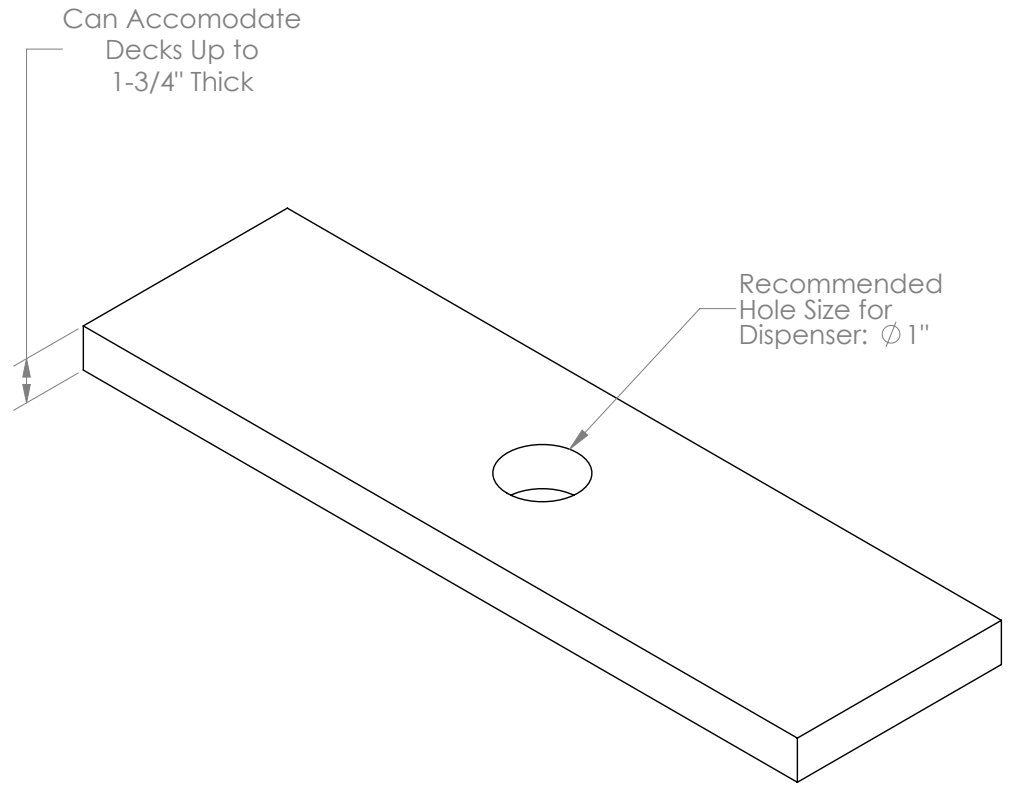
1x Soap Dispenser
Assembly

Soap Bottle

You will need:
- Soap/Lotion
(Not Included)

1. Prepare the mounting surface

Make a holes following the requirements shown on the drawing.

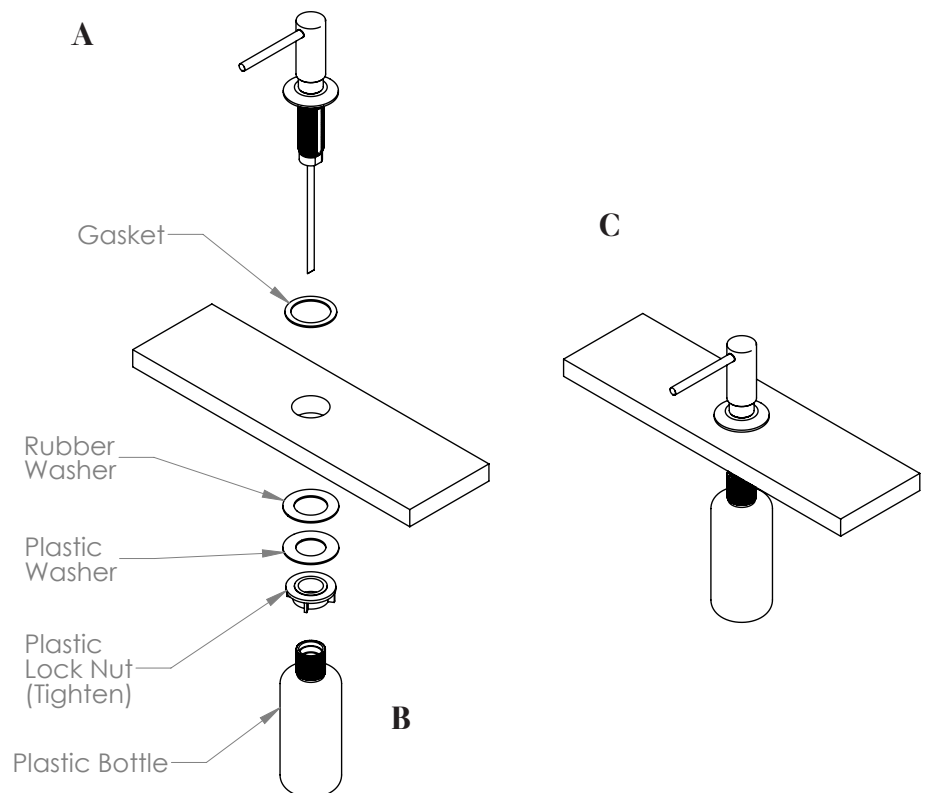


2. Install the dispenser

[A] Insert the dispenser assembly into the hole on the mounting surface. Attach the rubber and plastic washers and thread plastic lock nut to the nipple at the bottom of the assembly. Tighten the lock nut against the bottom of the mounting surface to secure the dispenser.

[B] Attach and screw in the plastic bottle to the bottom of the nipple.

[C] Completed installation.

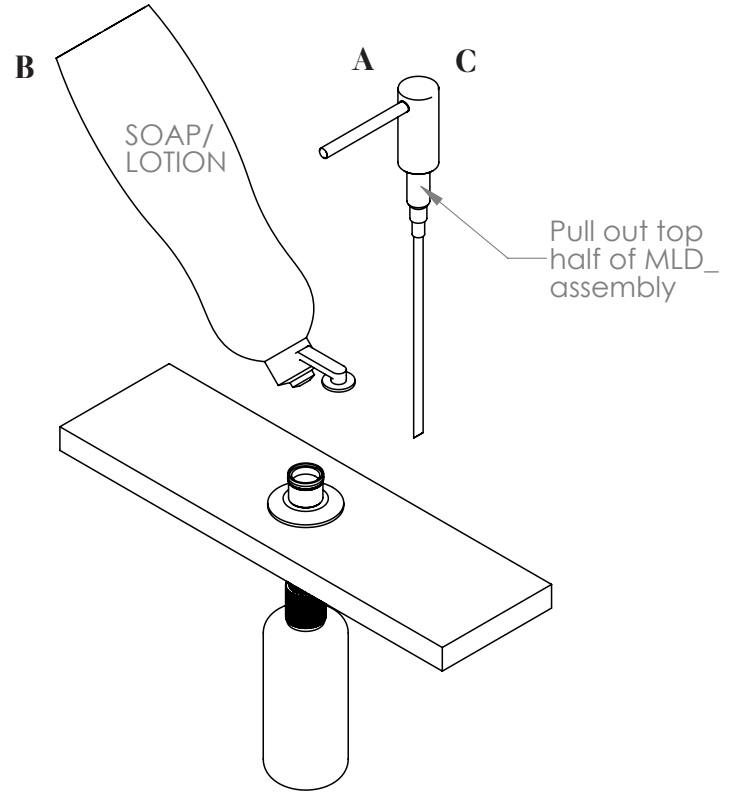


3. Filling (or refilling) the soap/lotion

[A] Pull off the top half of dispenser. The plastic components are press fit and should separate smoothly.

[B] Pour the desired liquid into the bottle.

[C] Put the top half of the dispenser over the bottom half and press downwards. The plastic components should fit into place after applying some pressure.



Additional Notes:

- Avoid overfilling the dispenser bottle. Refer to diagram [A] for maximum capacity of bottle.

- Dispenser can also be refilled by unscrewing the bottle from underneath the mounting surface, filling the bottle, then screwing the bottle back onto the dispenser.

