

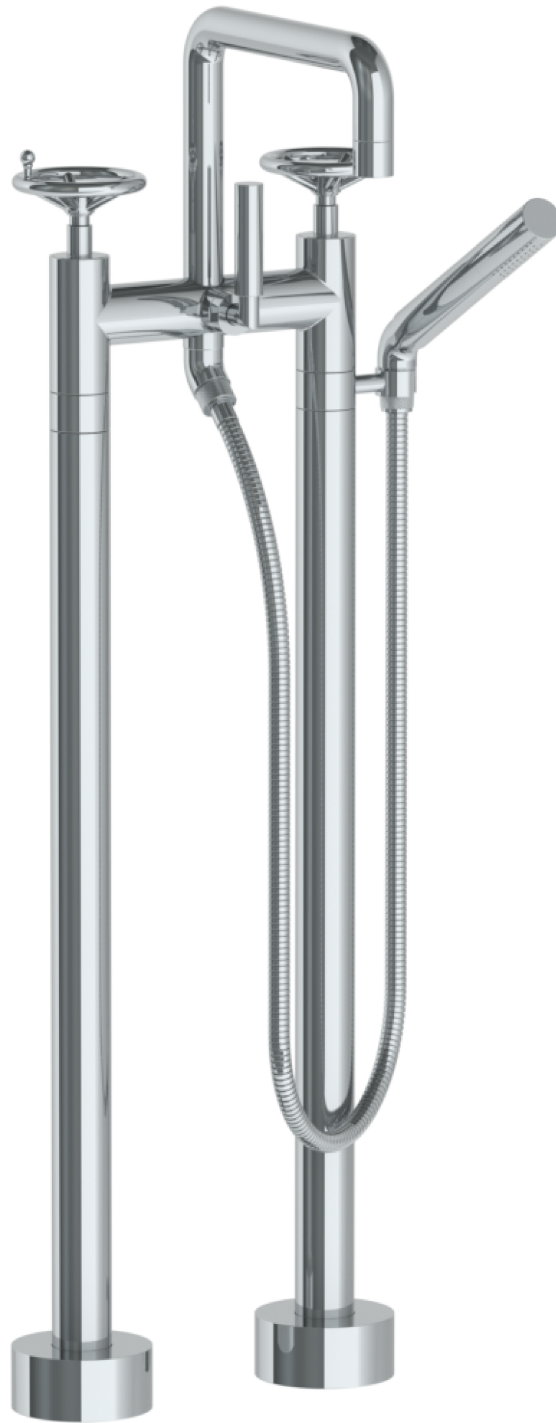
### **31-8.26.3-BKA.1**

Floor Standing Bath Set with Slim Hand Shower

Requires Floor Mount Rough SS-FL8.3

Hand Shower Flow Rate: 1.75 GPM

Note: Some building codes may require pressure balance valves for anti-scald



Meets the applicable requirements of ASME A112.18.1-2005/CSA B125.1-05, entitled "Plumbing Supply Fittings"

**WATERMARK** DESIGNS 8/16/2019

350 Dewitt Ave Brooklyn NY 11207 USA T 718 257 2800 F 718 257 2144 info@watermark-designs.com

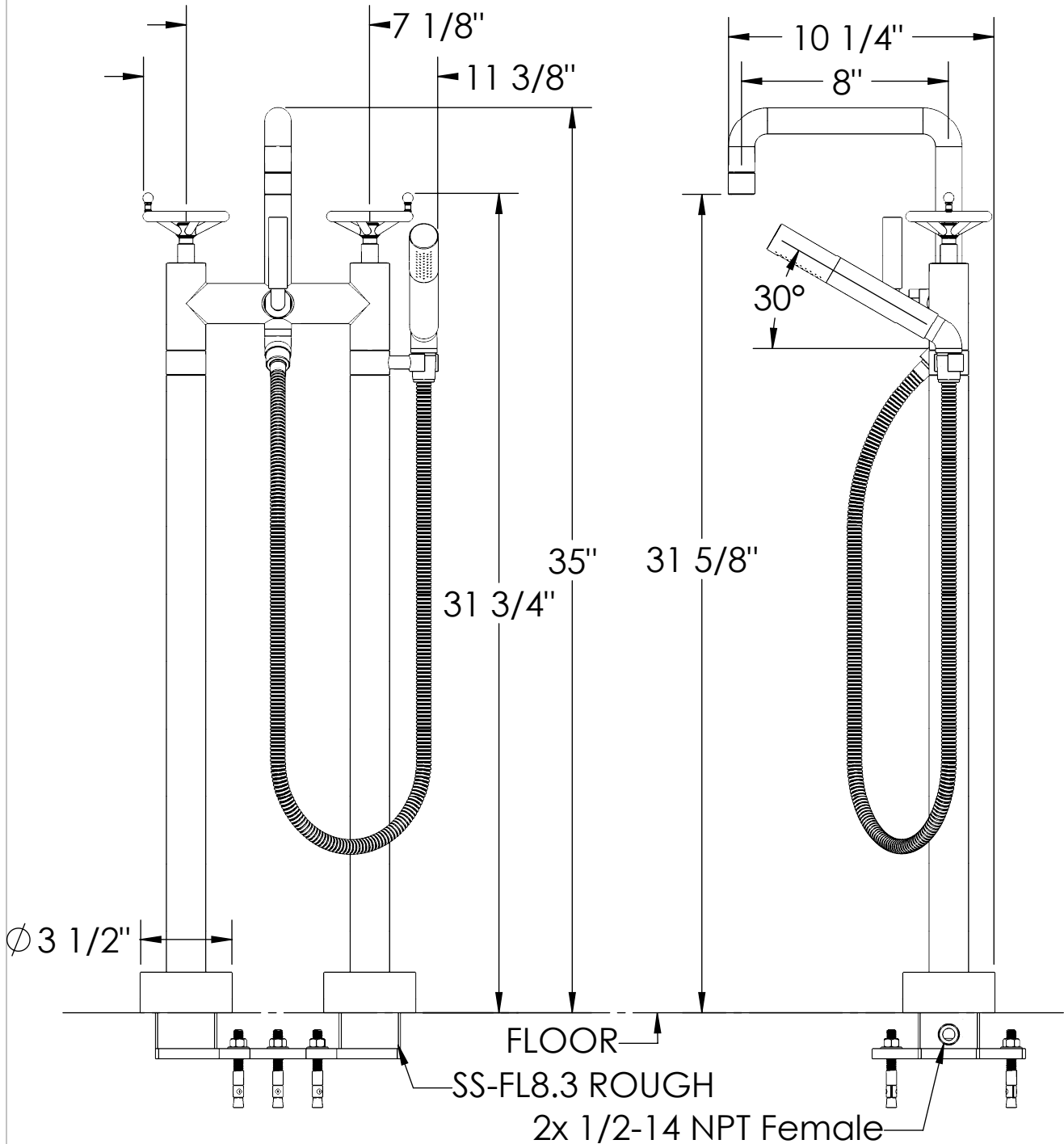
### 31-8.26.3-BKA.1

Floor Standing Bath Set with Slim Hand Shower

Requires Floor Mount Rough SS-FL8.3

Hand Shower Flow Rate: 1.75 GPM

Note: Some building codes may require remote pressure balance valves for anti-scald



Meets the applicable requirements of ASME A112.18.1-2005/CSA B125.1-05, entitled "Plumbing Supply Fittings"

# **WATERMARK** DESIGNS 8/16/2019