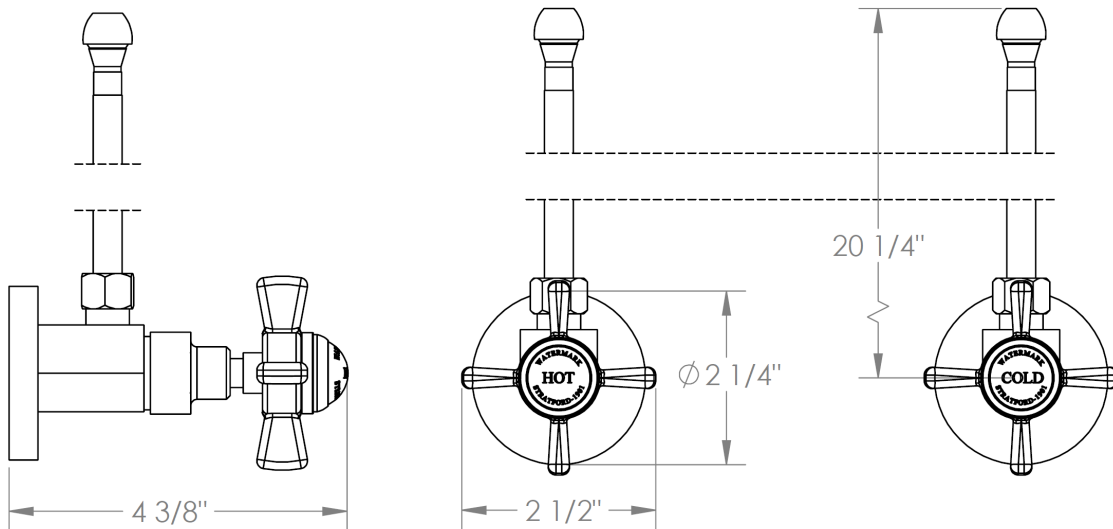


**34-MAS2-S1**

Lavatory Angle Stop Kit – 1/2" IPS x 3/8" OD Compression



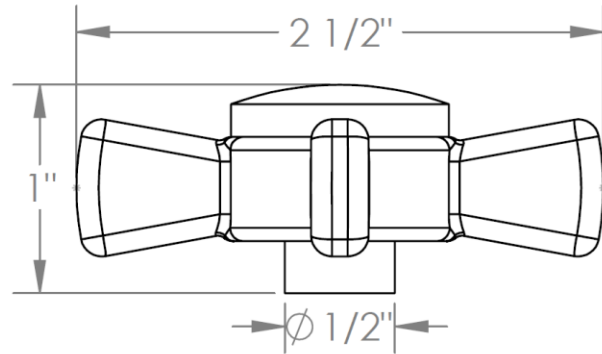
Meets the applicable requirements of ASME A112.18.1-2005/CSA B125.1-05, entitled "Plumbing Supply Fittings"

**WATERMARK DESIGNS 8/28/2018**

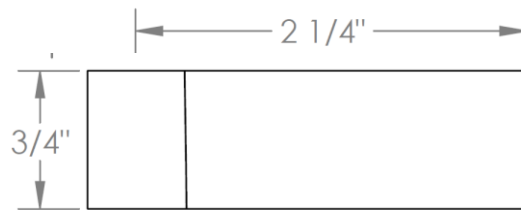
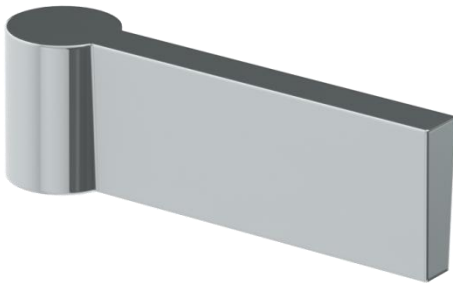
350 Dewitt Ave Brooklyn NY 11207 USA T 718 257 2800 F 718 257 2144 info@watermark-designs.com

## Haley Handle Options

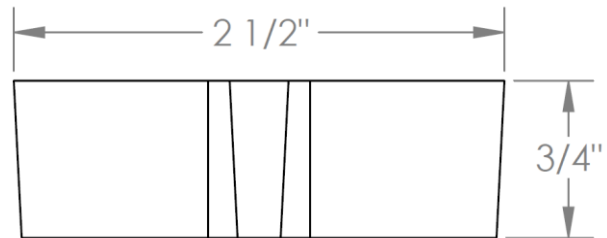
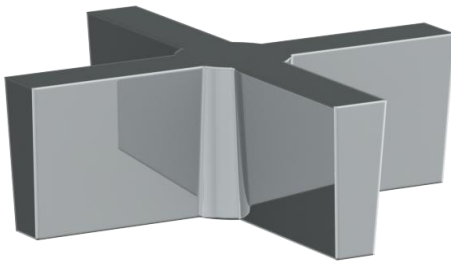
### B9M – SISTINA



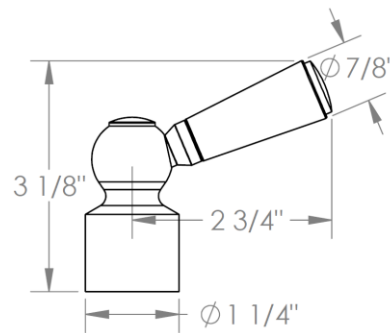
### DD2 – ASTAIRE



### DD3 – GARBO



### H4 – HARMONIE

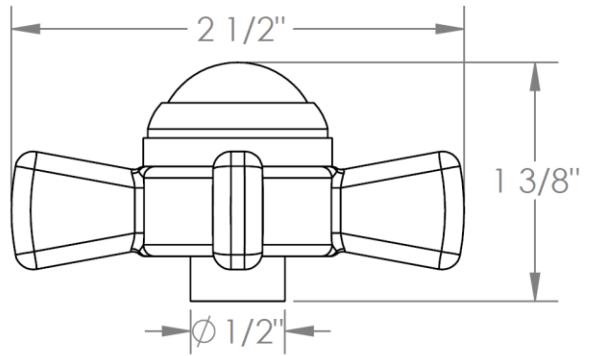


**WATERMARK DESIGNS 8/29/2018**

350 Dewitt Ave Brooklyn NY 11207 USA T 718 257 2800 F 718 257 2144 info@watermark-designs.com

**Haley Handle Options**

**S1 – PRESTON**



**S1A – NOTTINGHAM**

