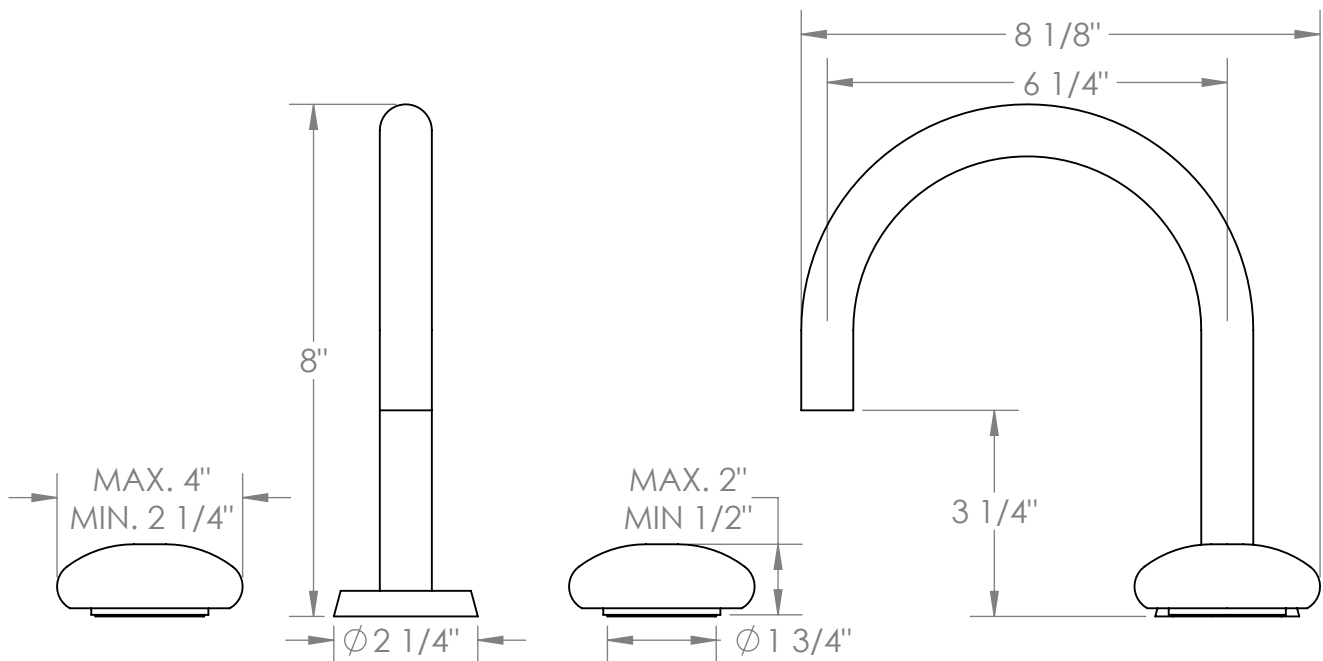


36-2S-WM

Deck Mounted 3 Hole Gooseneck Square Lavatory Set with Short Spout
Includes MPU5 soft-touch drain
Flow Rate: 1.2 GPM



Meets the applicable requirements of ASME A112.18.1-2005/CSA B125.1-05, entitled "Plumbing Supply Fittings"