

38-1EX4-_-EV4

Deck Mounted 4" Extended Lavatory Monoblock

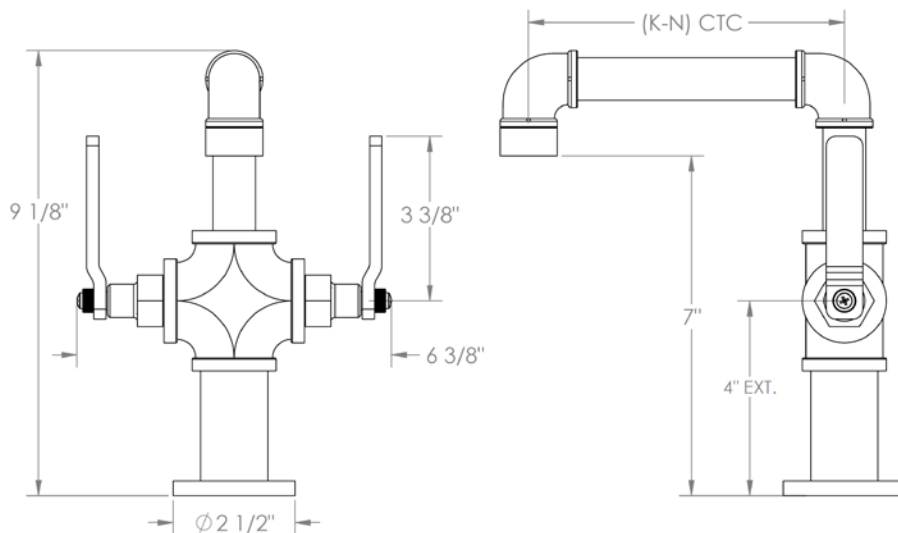
Includes MPU5 soft touch drain with overflow

Flow Rate: 1.2 GPM

Note: Please specify size (K-N)



PROJECTION	
K	5.5"
L	6.5"
M	7.5"
N	8.5"



Meets the applicable requirements of ASME A112.18.1-2005/CSA B125.1-05, entitled "Plumbing Supply Fittings"

WATERMARK DESIGNS 6/28/2018

350 Dewitt Ave Brooklyn NY 11207 USA T 718 257 2800 F 718 257 2144 info@watermark-designs.com