



## S T Y L E ELEMENT RAFFINÉ COLLECTION INSTALLATION GUIDE

### INDEX

<b>Before you begin</b>	p.1
<b>Installation</b>	
• <b>Wall preparation</b>	p.3
• <b>Plumbing</b>	p.3
• <b>Cabinet installation</b>	p.4
• <b>Door adjustments</b>	p.7
• <b>Vanity installation</b>	p.8
• <b>Lavatory installation</b>	p.10
• <b>Drawer installation</b>	p.11
• <b>Cleaning guide</b>	p.12
• <b>Warranty</b>	p.12

### BEFORE YOU BEGIN

Thank you for choosing from WETSTYLE's line of quality products.

Please note that prior to shipment from the manufacturing facility, the furniture you have received has passed quality control and was in excellent condition upon leaving the WETSTYLE facility.

We recommend that you carefully inspect the product prior to its installation. If there are any defects, please contact the dealer from whom you purchased the product and please DO NOT install the furniture. WETSTYLE will not be held responsible for any defects or damage discovered once the furniture is installed.

It is highly recommended that a professional undertake the installation of the cabinet and vanity.

Please read this guide carefully to ensure the proper installation and reliability of your product for many years to come.

For assistance, please call customer service at 1.888.536.9001.

## TOOLS AND EQUIPMENT

- Drill and bits
- Measuring tape
- Protective paper
- Silicone caulk
- Pencil
- Level
- Protective eyeglasses
- Wood screw #10 flat head, 3" and 4" long

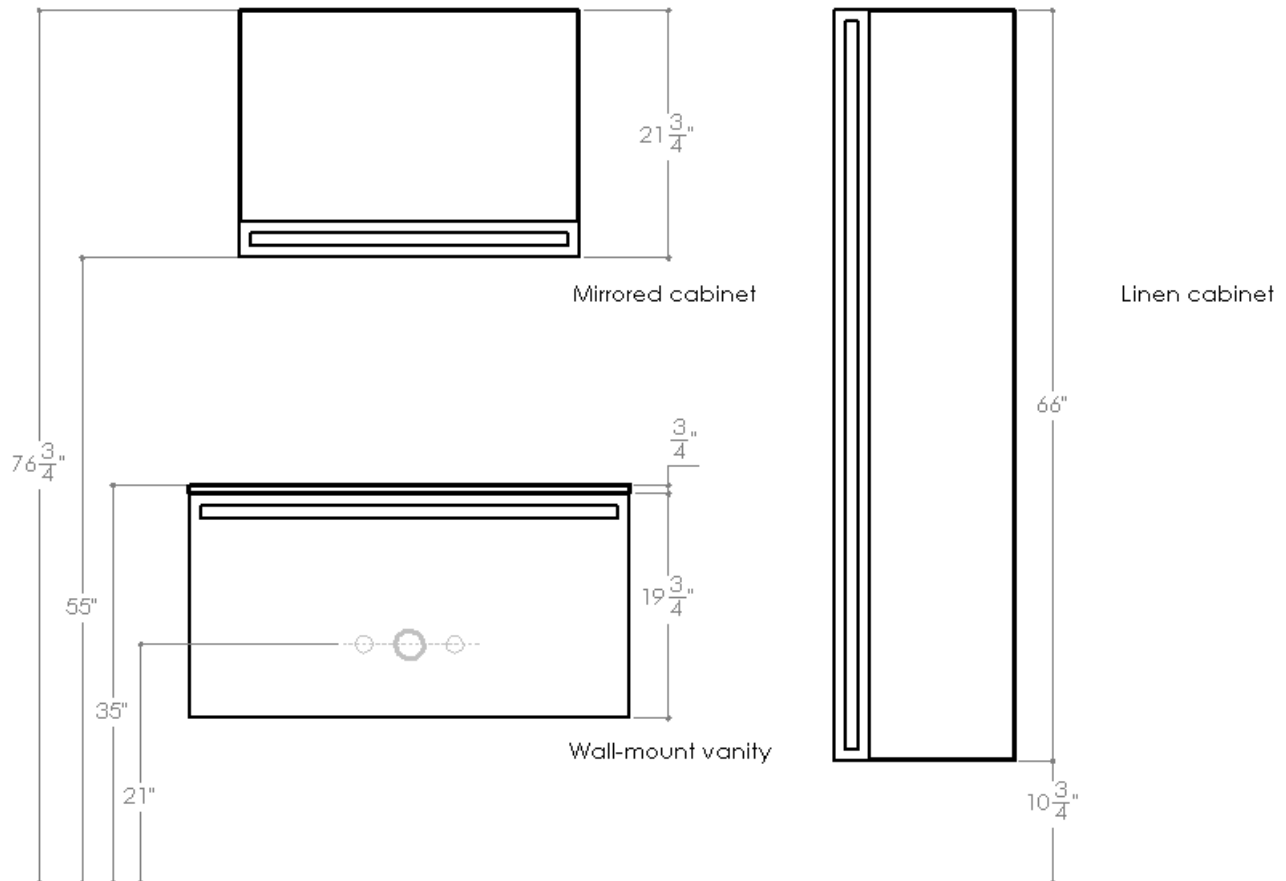
**IMPORTANT:** Before drilling the vanity, you must **remove the drawers** completely from the vanity AND **cover the glides** with masking tape to protect them from dust produced as a result of the drilling. The removal of the drawers will also facilitate the installation.



## IMPORTANT

This installation might require custom placement of studs relative to the position of the product in the room. Please read the instructions related to your cabinet model carefully.

## HEIGHTS DIAGRAM



## **WALL PREPARATION**

The ELEMENT RAFFINÉ collection is designed to be wall-mounted and needs special wall preparation for the vanity and for the mirrored and linen cabinets.

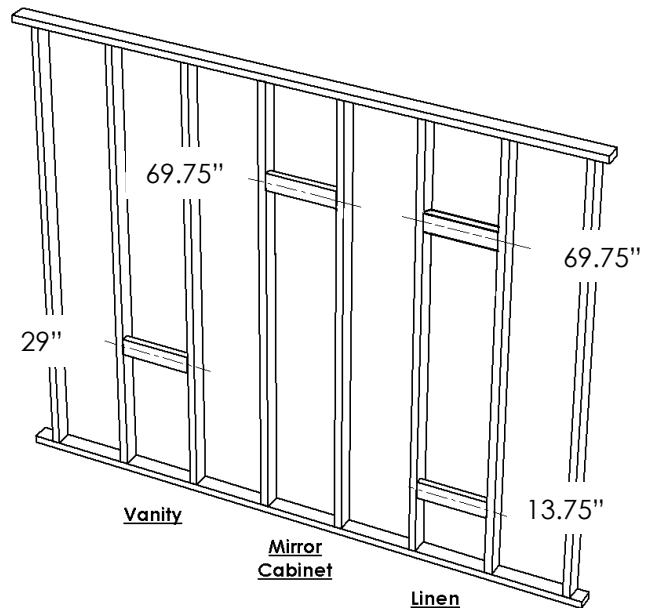
1. Make sure that walls and floor are straight and level.
2. Determine the desired location of the cabinet.
3. The distance between studs should not be more than 16".
4. Metal studs should be reinforced vertically by 2" x 4" wooden studs. This is applicable for all furniture.
5. Metal and wooden studs should be reinforced horizontally with 2" x 6" wooden studs at anchoring heights:
  - 29" along the full width of the vanity
  - 69.75" along the full width of the mirror cabinet
  - 13-3/4" & 69.75" along the full width of the linen cabinet
6. Do not apply the product to the wall surface until all braces and mounting clips have been installed and all plumbing and electrical rough-ins have been completed.

### **Anchoring HEIGHTS**

Vanity: 29"

Mirror Cabinet: 69.75"

Linen Cabinet: 13-3/4" & 69.75"



## **PLUMBING**

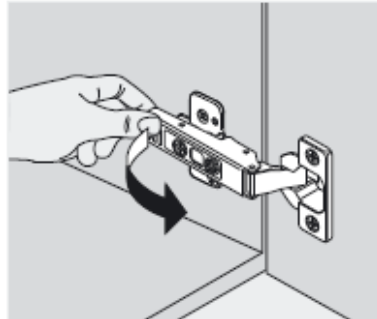
The pipes should be positioned at a height of 21".  
The pipes are located inside the furniture.

## **CABINET INSTALLATION FOR WALL-MOUNT MIRROR and LINEN**

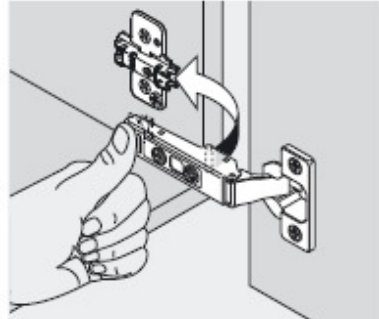
*Prior to installation,*

1. Carefully remove unit from packaging.
2. Gently remove packaged glass shelves, wooden shelves and hardware bag from within furniture.
3. Remove and store doors while you continue installation.

### Hinges

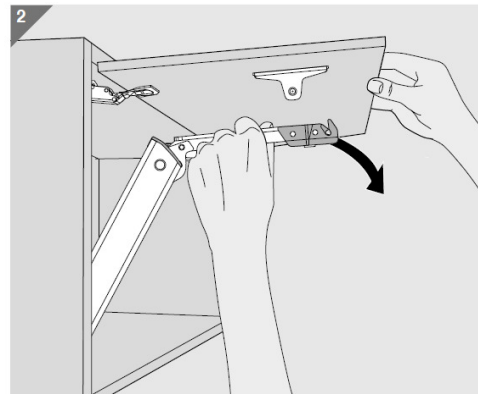
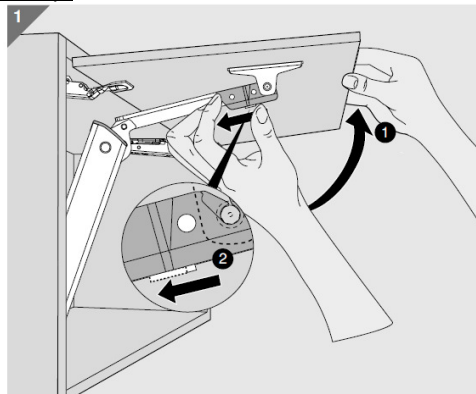


Removal

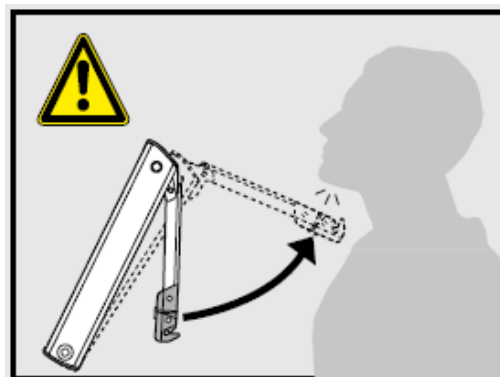


Assembly

### Lift-up

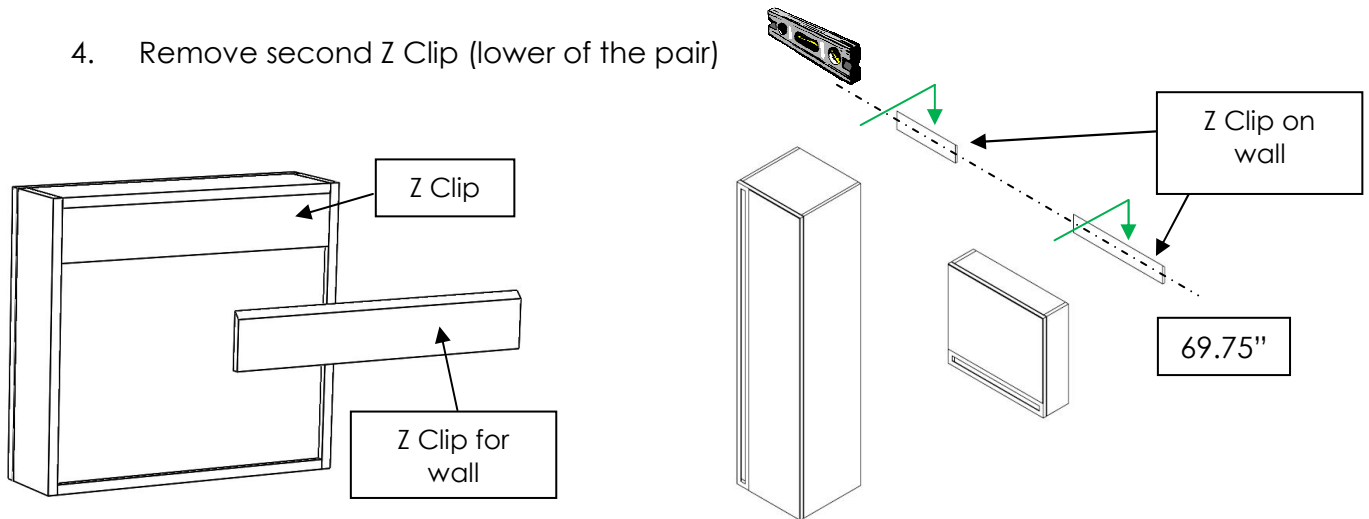


**CAUTION - Do not close the lift-up mechanism!**

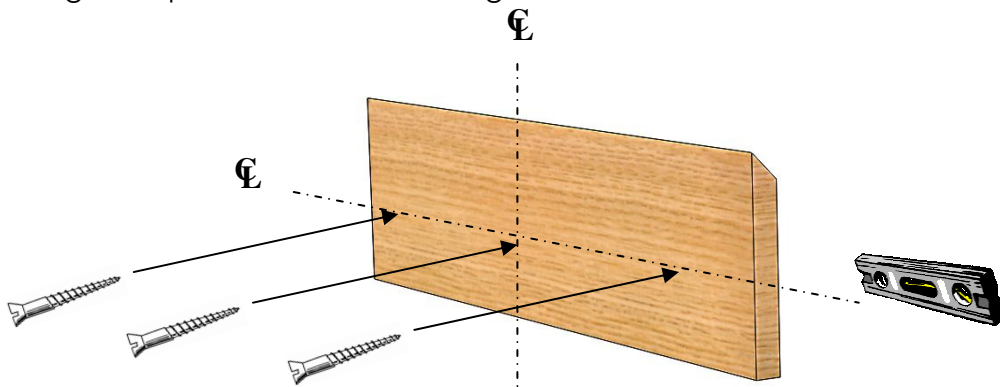


- ELEMENT RAFFINÉ INSTALL GUIDE -  
(2018-05-07)

4. Remove second Z Clip (lower of the pair)



5. Align Z Clip to wall at 69.75" using a level.

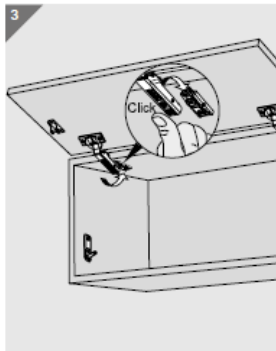


6. Install to the wall using 3" long #10 flat head wood screws. Fasten securely.  
7. Mount unit using pre-attached Z Clip by rising slightly above, pushing against the wall and lowering until the unit is flush and self-supporting.

## **FINAL CABINET ASSEMBLY**

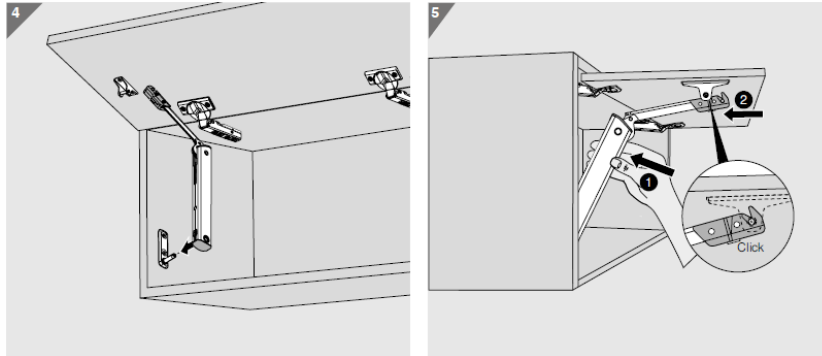
### **Mirror Cabinet**

1. Mount door onto Hinge plates.

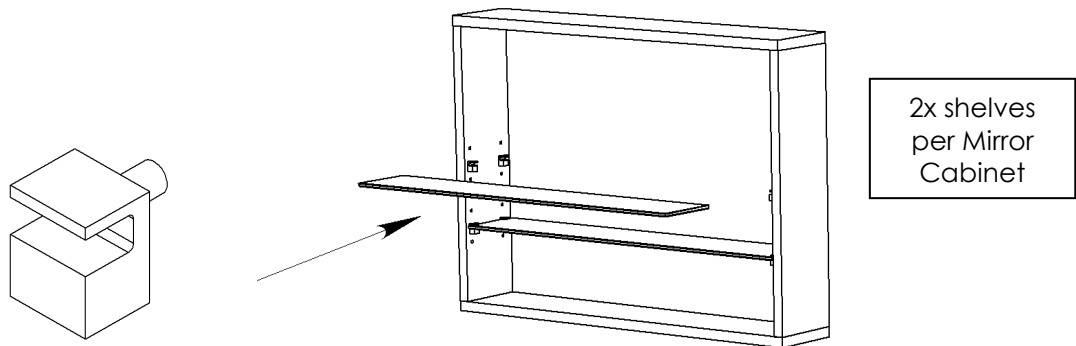


- ELEMENT RAFFINÉ INSTALL GUIDE -  
(2018-05-07)

2. Insert Lift-up mechanism



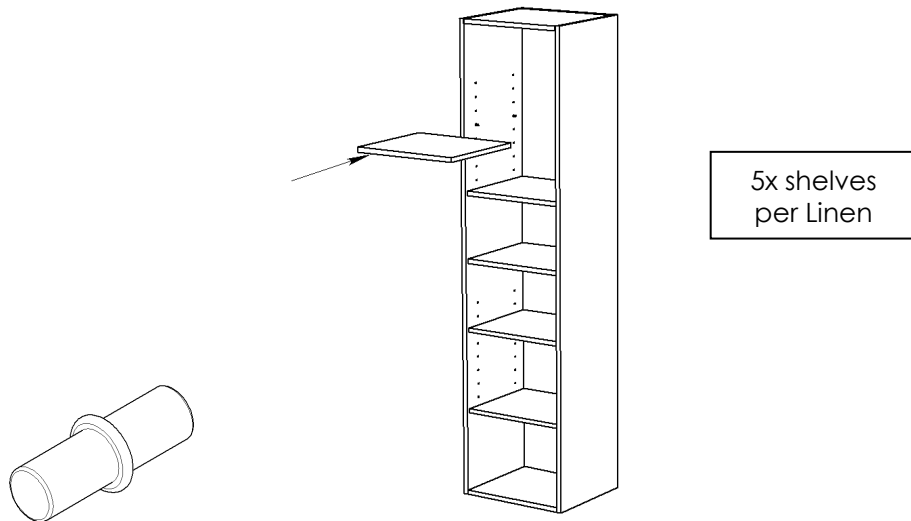
3. Insert KRISTAL glass shelf pins at desired shelf location. Fasten securely by tightening lock screw on the underside of pin.



### **Linen Cabinet**

NOTE: The Element Raffiné Linen is provided with Z-clips on both ends so that it may be mounted in accordance with desired right or left door handling.

4. Insert single shelf pins at desired shelf location.

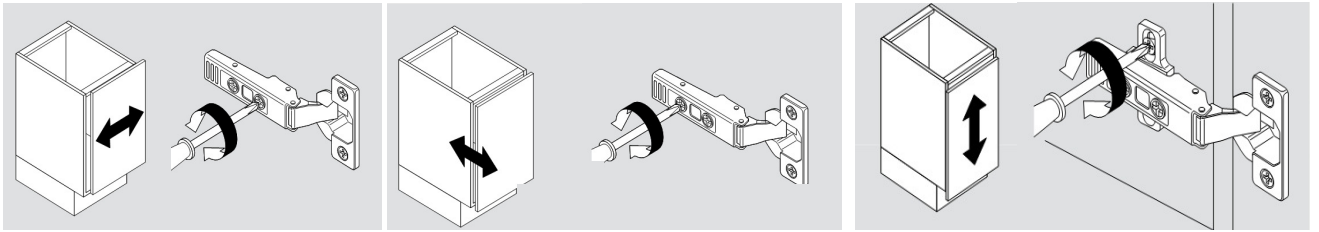


5. Mount door onto hinge plates.

- ELEMENT RAFFINÉ INSTALL GUIDE -  
(2018-05-07)

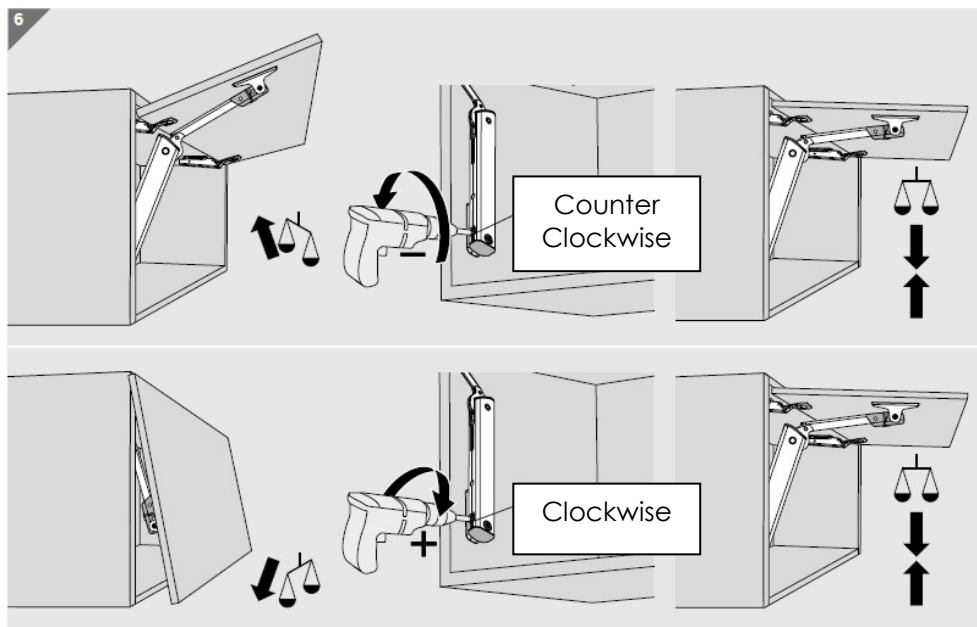
## Door adjustments

### Hinge adjustment features.



*\*use a Philips screw driver to adjust each hinge screw*

### Lift-up adjustment features.



## VANITY INSTALLATION

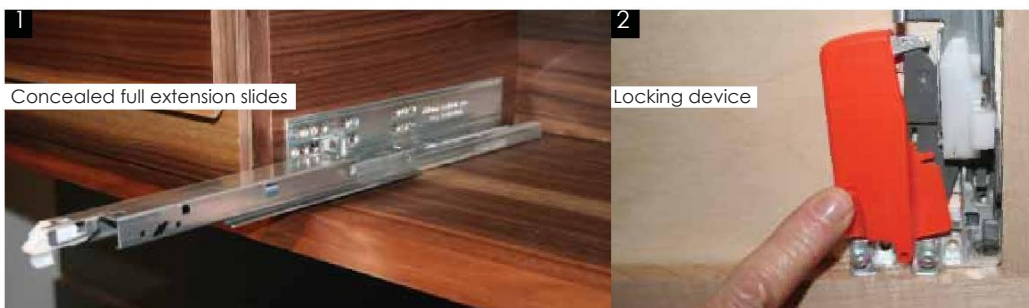
Prior to installation,

### IMPORTANT

Before drilling the vanity, you must **remove the drawers** completely from the vanity AND **cover the glides** with masking tape to protect them from dust as a result of the drilling. The removal of the drawers will also facilitate the installation.

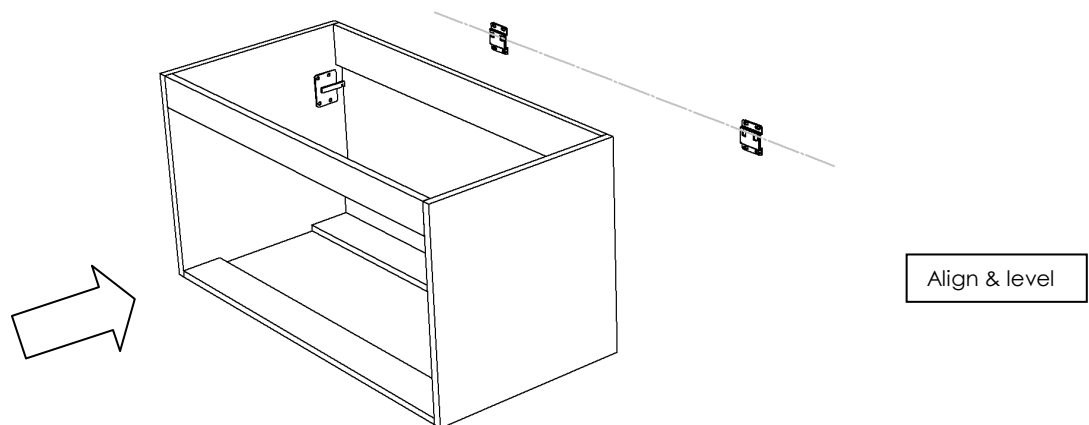
1. Carefully remove unit from packaging.
2. Remove drawers-Pull the drawer slides out to full extension. REFER TO IMAGE #1
3. Release locking mechanisms. REFER TO IMAGE #2
4. Remove Vanity drawers and cover glides with masking tape to protect them from dust.

Drawer insertion and removal



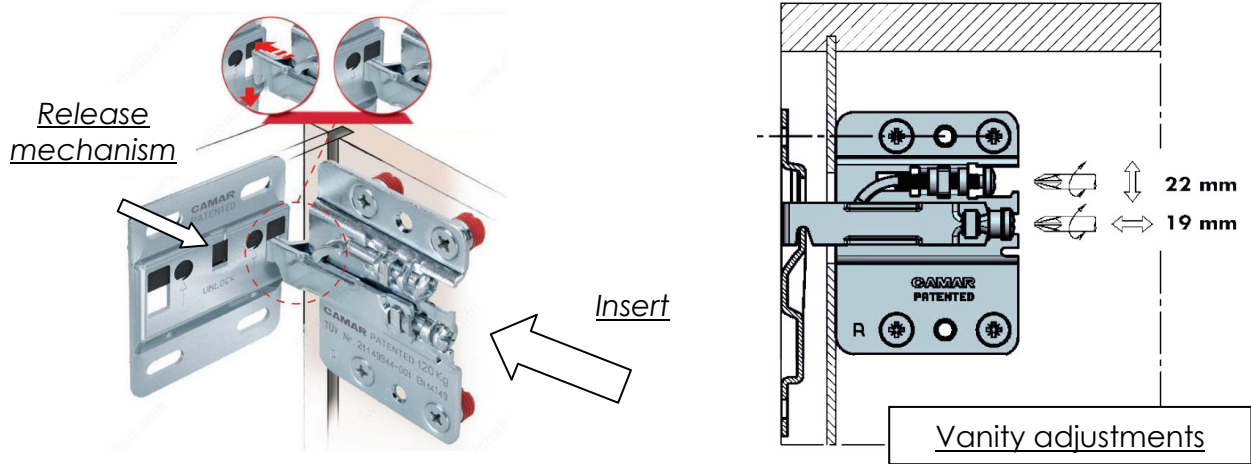
All ELEMENT VANITIES must be wall-mounted with the specialty CAMAR mounting clips provided with the furniture.

5. Align and level the mounting clips according to horizontally reinforced studs and desired Vanity height.





6. Install mounting clips to the wall using 3" long #10 wood screws. Fasten securely.
7. Position Vanity onto mounting clips.



**IMPORTANT**

TO RELEASE VANITY- Insert screwdriver into wall mounting clips at depicted location hereby above and press for the release mechanism to activate.

## LAVATORY INSTALLATION

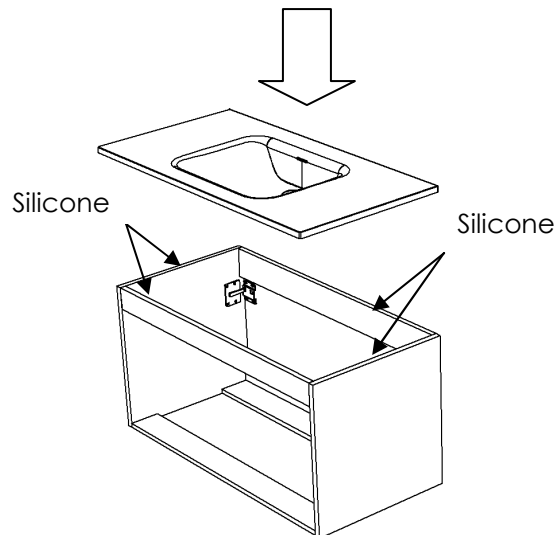
### **IMPORTANT**

Please be advised that the ELEMENT RAFFINÉ COLLECTION was designed to receive ELEMENT sinks as noted in the WETSTYLE price list and catalogue. The manufacturer does not take responsibility for the use of third party sink or countertop in conjunction with the ELEMENT RAFFINÉ vanity

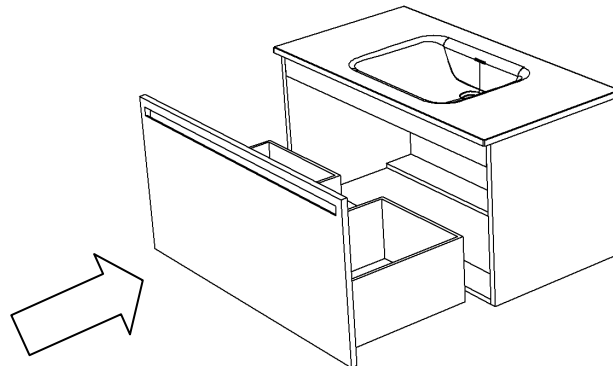
#### Sink Anchoring

*\*If possible, install faucet onto the lavatory before securing to the vanity.*

1. Apply bead of silicone caulk onto the inside edge of the vanity perimeter.
2. Gently position and align Countertop Sink onto Vanity. Press down to make sure there is good adhesion between the 2 surfaces.



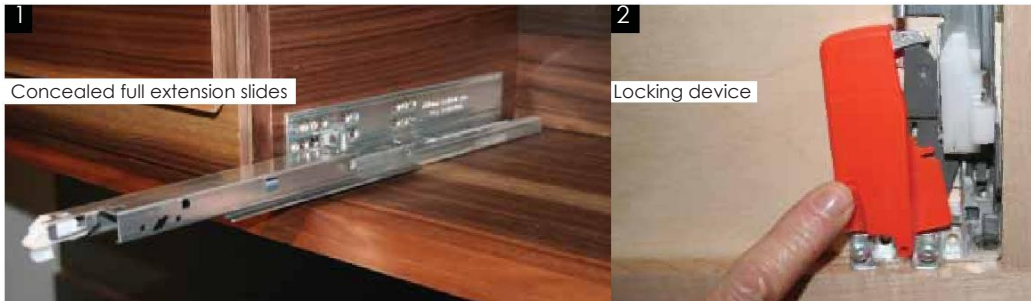
3. Gently clean away excess silicone.
4. Connect faucet to wall plumbing (if applicable) and install drain.
5. Clean and remove dust prior to exposing glides.
6. Insert Vanity (see Drawer Installation below) drawers



7. Remove protective film on lavatory.

## **DRAWER INSTALLATION**

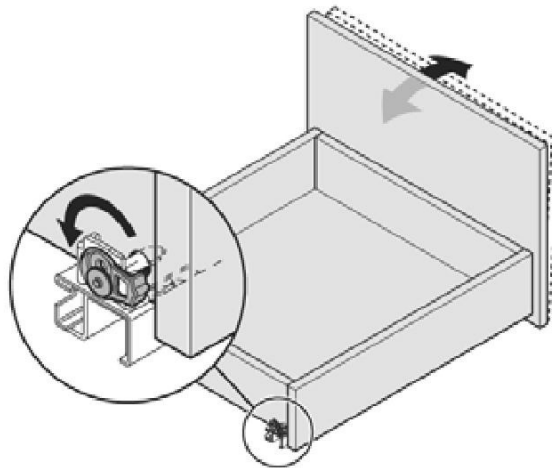
1. Clean the slides and make sure there is no dust that could interfere with the BLUM slow-closing system.
2. Pull the drawer slides out to full extension. REFER TO IMAGE #1
3. Align the drawer onto the drawer slides.
4. Firmly hold the drawer open with one hand so that it remains fully extended.
5. Slide each clip tab toward the front of the drawer until it clicks into place. REFER TO IMAGE #2
6. Close the drawer



## **VANITY DRAWER ADJUSTMENT**

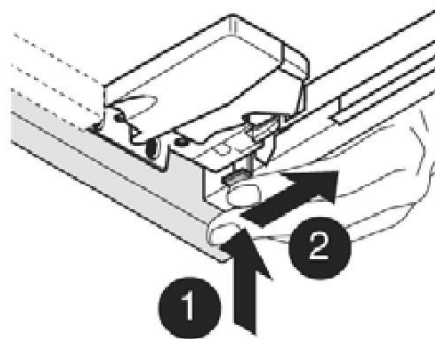
### **1. Tilt adjustment**

Using the TANDEM front tilt adjustment in the TANDEM plus full extension, precise alignment between the drawer front & carcass is ensured. This is a quick & easy procedure, requiring no tools.



### **2. Height adjustment**

Height adjustment is just as easy. The height can be adjusted up to 3mm without the need for tools. This provides a simple and precise way to adjust the front spacing on your furniture.



## **CLEANING GUIDE**

ELEMENT RAFFINÉ Furniture is ultra-easy to clean: after each use, simply wipe with a soft cloth to remove any surface dirt. For standard cleaning, we recommend using warm water with mild soap. Do not use abrasive products or cream cleaners. Never use petroleum-based products when cleaning the wood, i.e. paint thinners or other solvents, as they may damage the wood surface. Glass surfaces may be cleaned using standard glass cleaning products.

## **WARRANTY**

WETSTYLE's warranty on WETMAR BIO™ lavatories covers all defects in materials and manufacturing for a period of five years.

WETSTYLE's warranty on furniture and accessories covers all defects in materials and manufacturing for a period of one year.

This limited warranty, starting on the original purchase date, is only offered to the original purchaser who acquires the product directly from WETSTYLE or from its authorized dealers. This limited warranty does not apply to cases in which a product was incorrectly installed, nor to damage due to negligence, misuse, thermal shock, cigarette burn, fire, natural disasters or other accidents.

This limited warranty does not extend to products purchased over the Internet from unauthorized WETSTYLE distributors.

This limited warranty does not extend to products purchased from unauthorized ELEMENT by WETSTYLE distributors or sub-dealers.

WETSTYLE is not responsible for costs and claims that may arise from purchase of a product unsuited to the structure of the existing building.

Any transformation or alteration made to WETSTYLE product automatically voids the warranty.

The manufacturer's warranty is limited to repair or replacement (with a product of equal value), provided the claim is made to an authorized dealer or directly to WETSTYLE within the warranty period. Labour costs and any other expenses entailed by replacement of WETSTYLE product are not covered by the warranty.

Printed in Canada



S T Y L E

[www.WETSTYLE.CA](http://www.WETSTYLE.CA) – Montreal – Canada

Tel. 450.536.9000 – 1.888.536.9001 – Fax. 450.536.0202