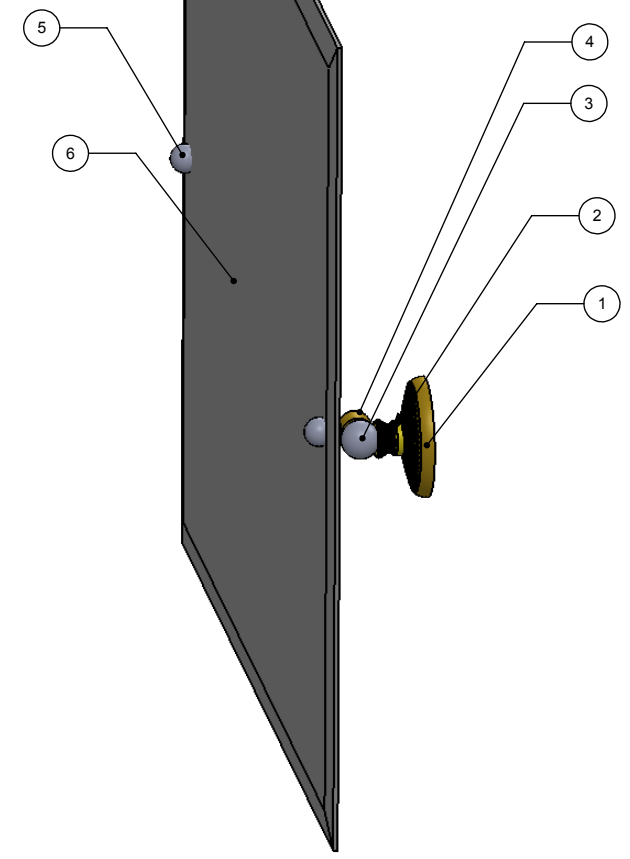
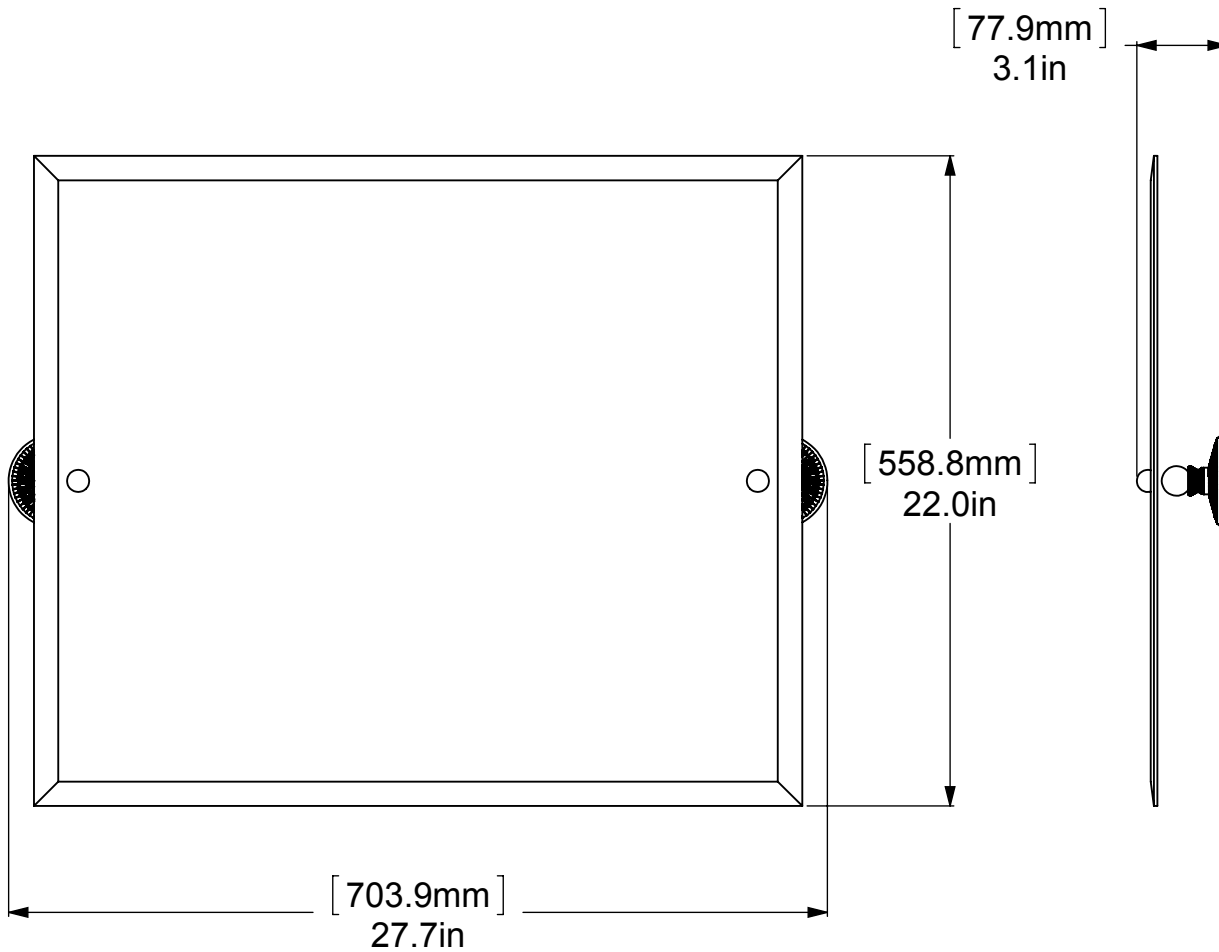


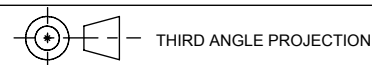
1	BPMC	BACKPLATE	2
2	NKSL-58	SUPPORT	2
3	BL2T-1	BALL SUPPORT	2
4	HBTT-78	TILT	2
5	BL1T-34	BALL	2
6	MRRT-93	MIRROR	1



UNLESS OTHERWISE STATED

.X	±.3mm
.XX	±.15mm
.XXX	±.008mm

COPYRIGHT © Allied Brass 2016



DRAWN	3/3/2016	I.M
CHECKED	3/3/2016	P.D
APPROVED	3/3/2016	R.A

MATERIAL:	BRASS
DESCRIPTION:	MIRROR



FINISH	TBD
QUANTITY	TBD
DRAWING No.	PMC-93
REV	0
SCALE	1:6.5
SHEET: 01	A4