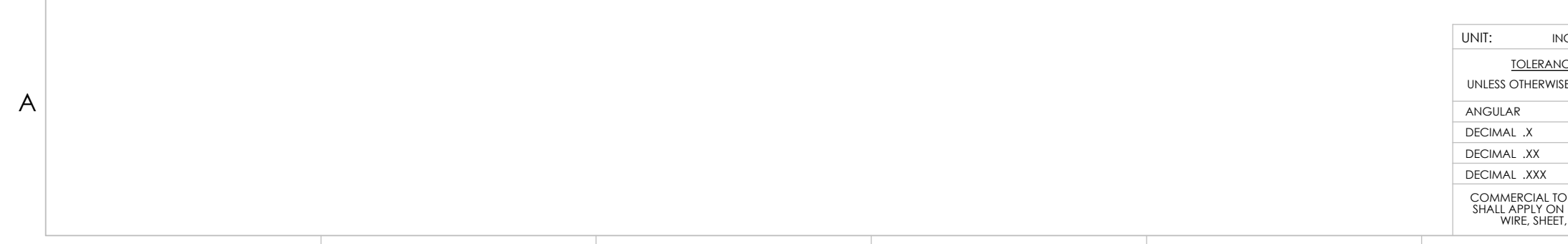
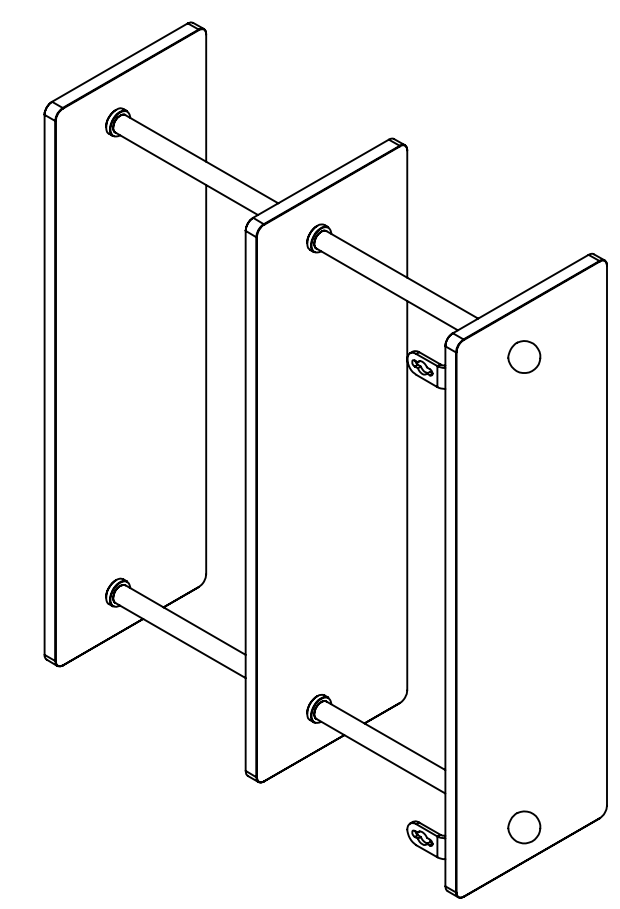
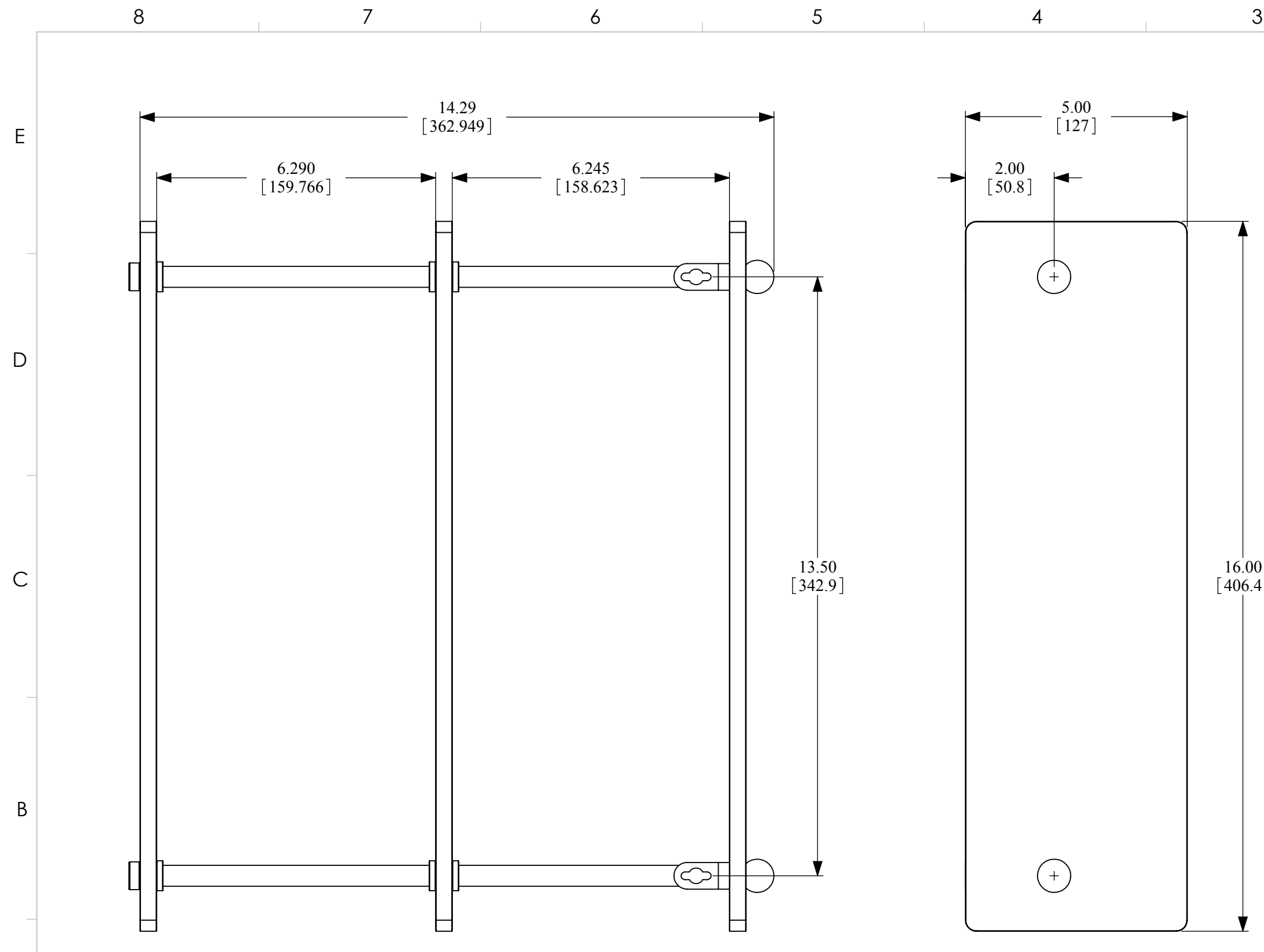



REV	CHANGES	LOC	BY	DATE
A				
B				



UNIT: INCH	MATERIAL: TBD	
<u>TOLERANCES</u> UNLESS OTHERWISE SPECIFIED ANGULAR ±1.0° DECIMAL .X ±.01 DECIMAL .XX ±.001 DECIMAL .XXX ±.0001 COMMERCIAL TOLERANCES SHALL APPLY ON BAR ROD, WIRE, SHEET, ETC.	FINISH: TBD	
SCALE: 1:2.5	SHEET: 1 OF 1	<small>THIS PRINT AND THE INFORMATION CONTAINED THEREIN ARE PROPERTY OF ALLIED BRASS, INC. ARE FURNISHED TO THE HOLDER IN CONFIDENCE AND ARE NOT TO BE REPRODUCED, USED, OR DISCLOSED TO OTHERS WITHOUT THE EXPRESS WRITTEN PERMISSION OF ALLIED BRASS INCORPORATED.</small>
DRAWN BY: MAYORGA, IVAN	DATE: 10-22-10	PART NAME: PR-5/16 ASSEMBLY
APPROVED BY: ANDRES, ROBERT	DATE: 10-22-10	PART NUMBER: 0000
		REV