

FRANZ VIEGENER

---

**Dominic lever** *plus*

---

*i n s t a l l a t i o n*



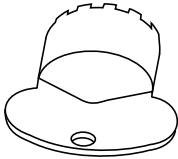
**CONGRATULATIONS !**

This product has been subjected to stringent tests for its quality, performance and finish. We guarantee years of trouble free operation. We thank you for your choice and above all for the trust you are placing in us. This trust is what motivates us to improve every day.

Before connecting the faucet to the water supply, flush the tubing thoroughly to eliminate any residue.

***Required installation tools.***

**Provided.**

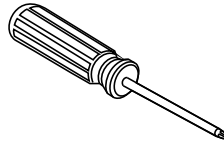


Aerator  
tool

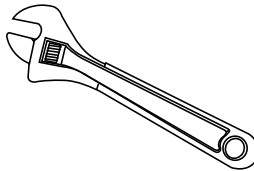


Handle fixation  
wrench

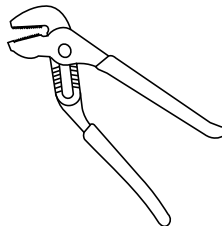
**Not provided.**



Phillips  
Screwdriver



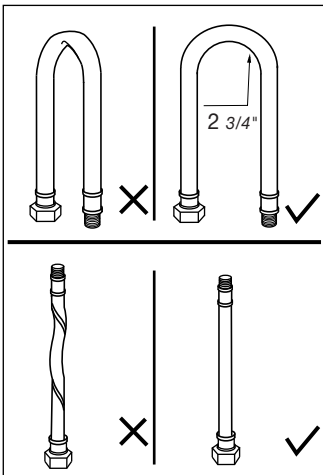
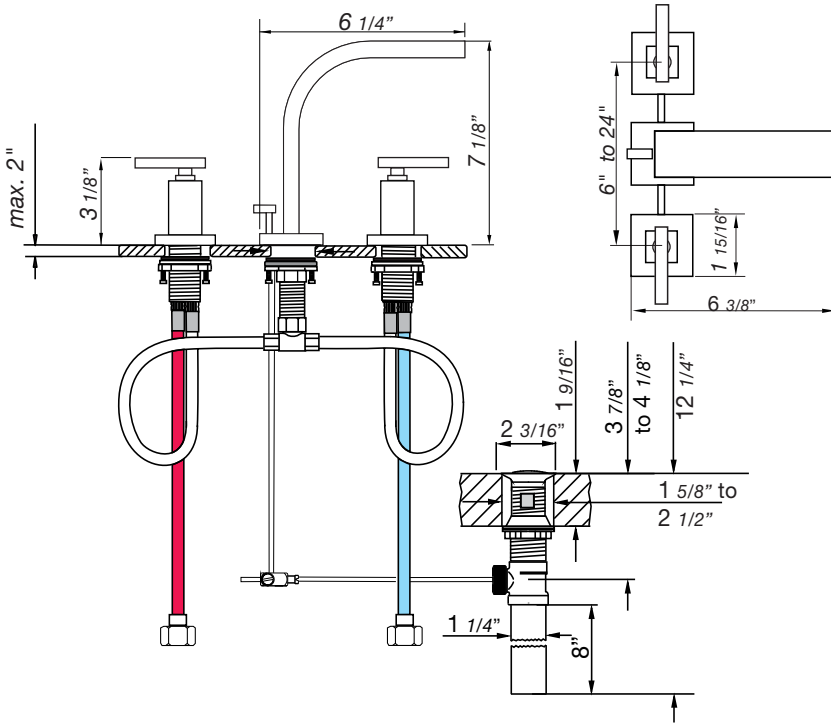
Adjustable  
wrench



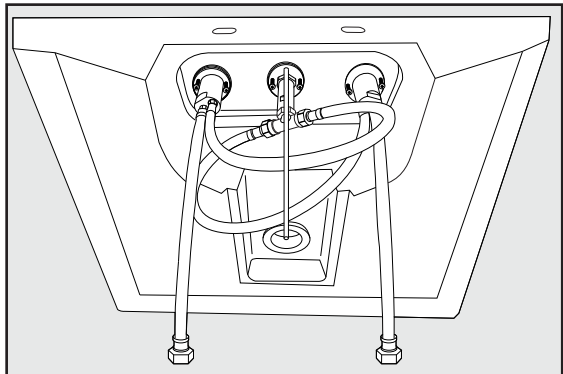
Channellock

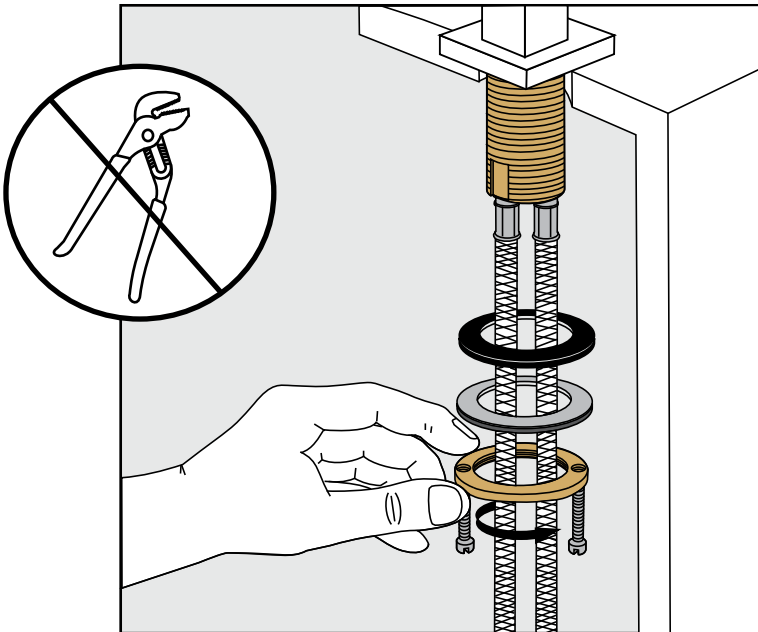
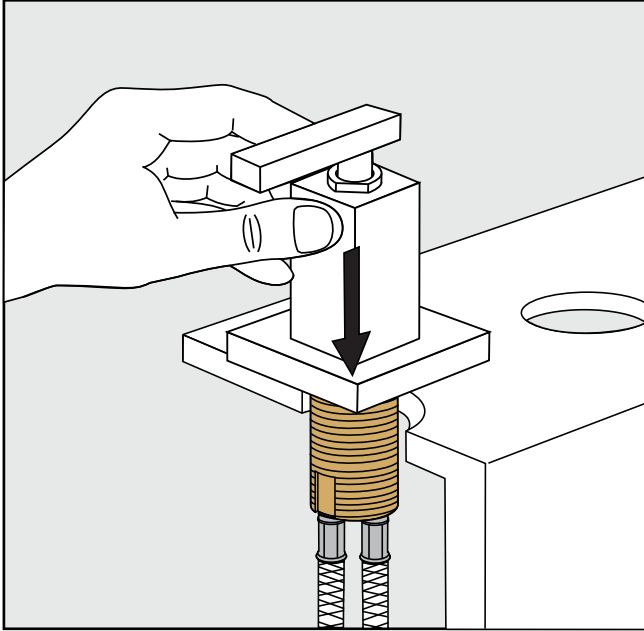
# Dominic lever *plus* Faucets - Line 85L

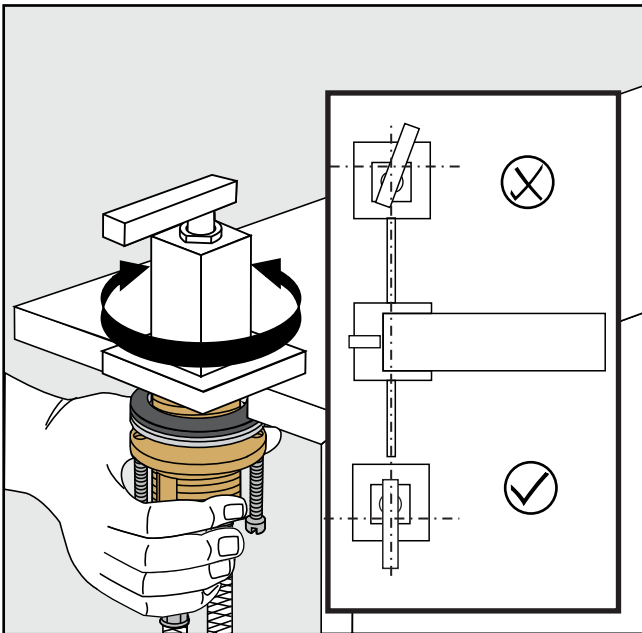
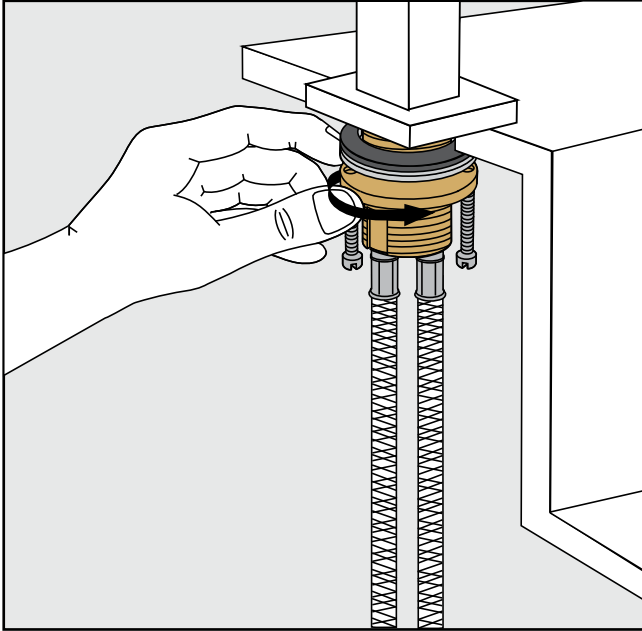
**FV201/85 plus**  
Widespread lavatory.

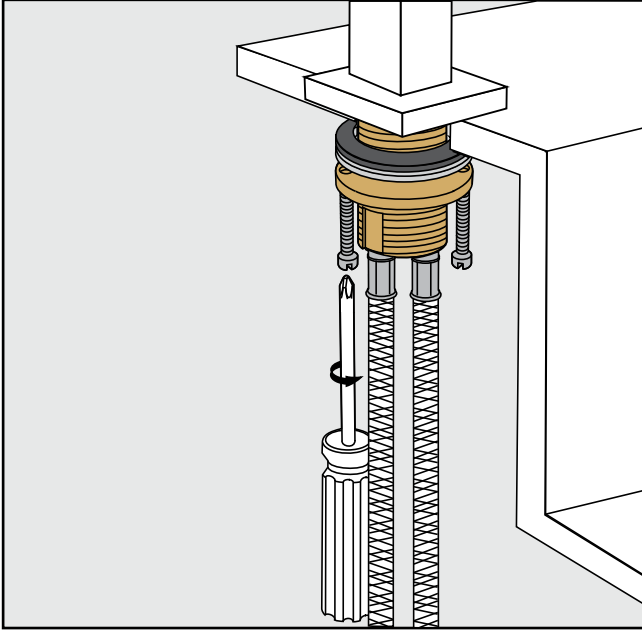


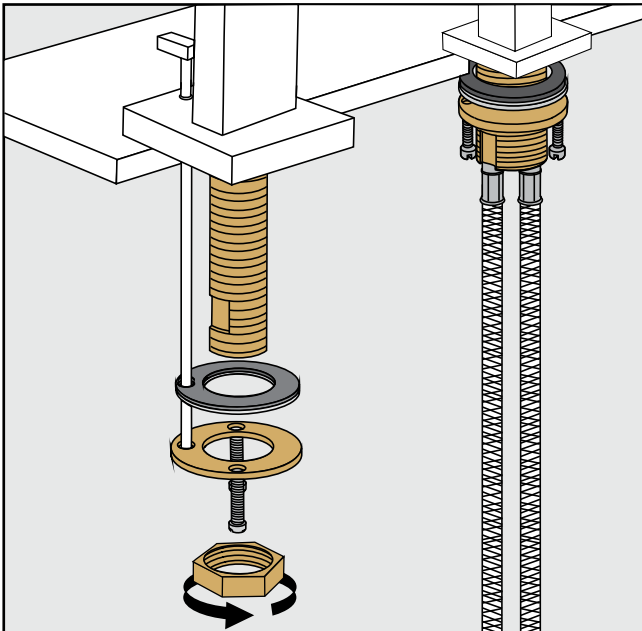
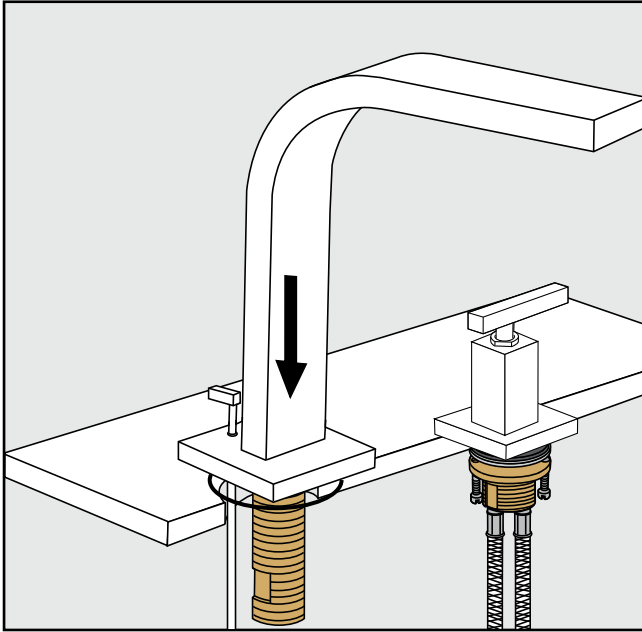
Minimum flow rate out at required constant pressure, 20 PSI and minimum flow rate for feed from 5.3 gal per min (for hot and cold connections): 2,2 gal per min

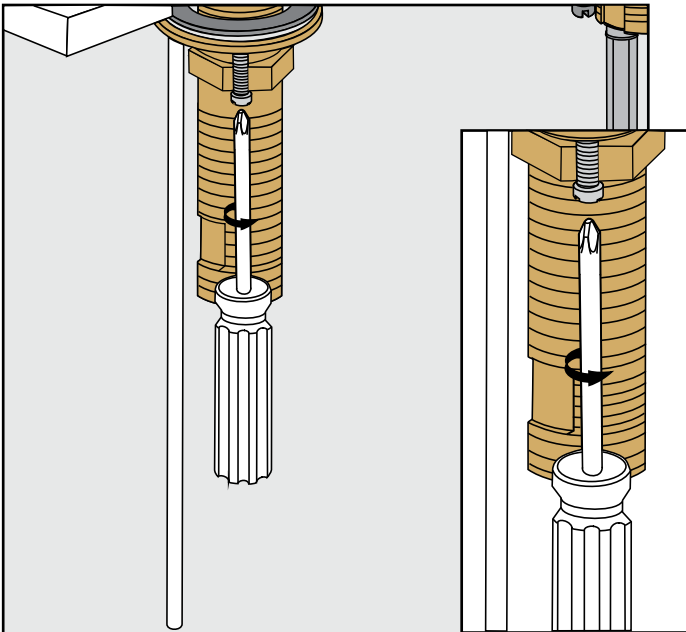
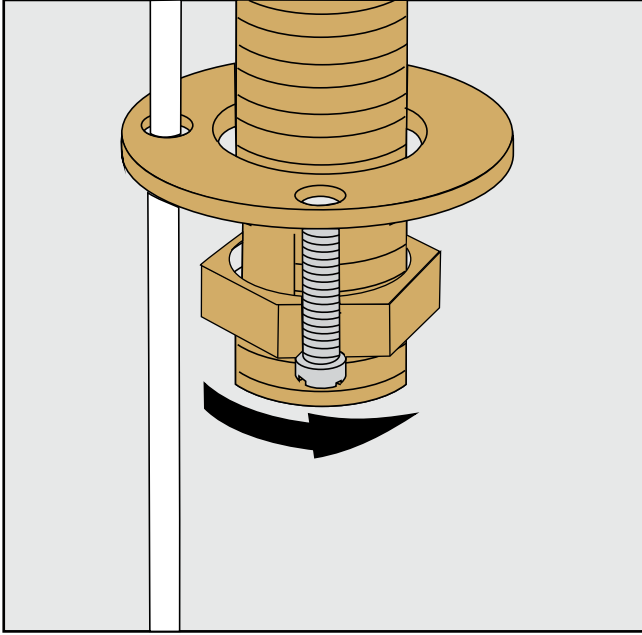




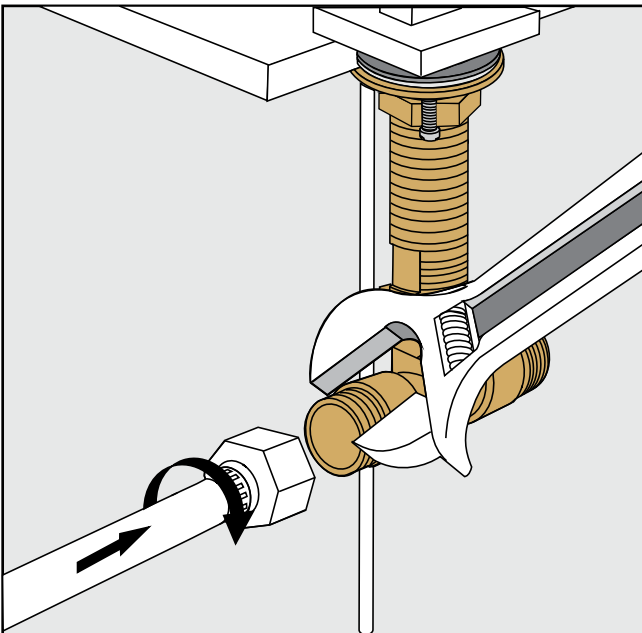
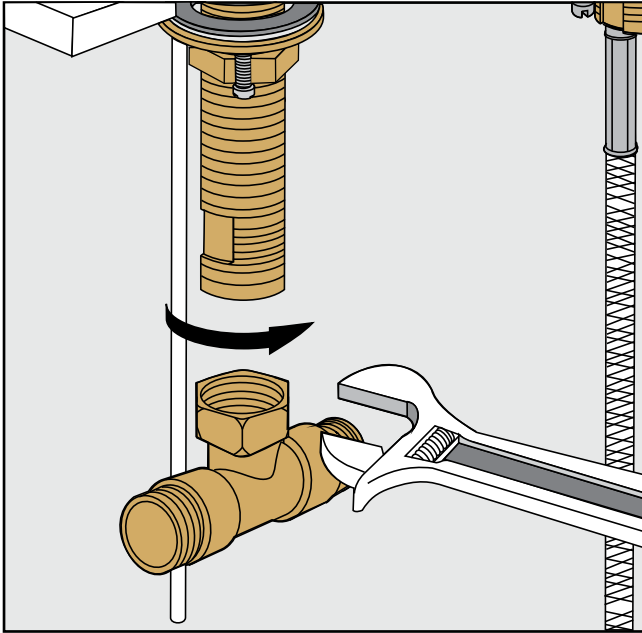


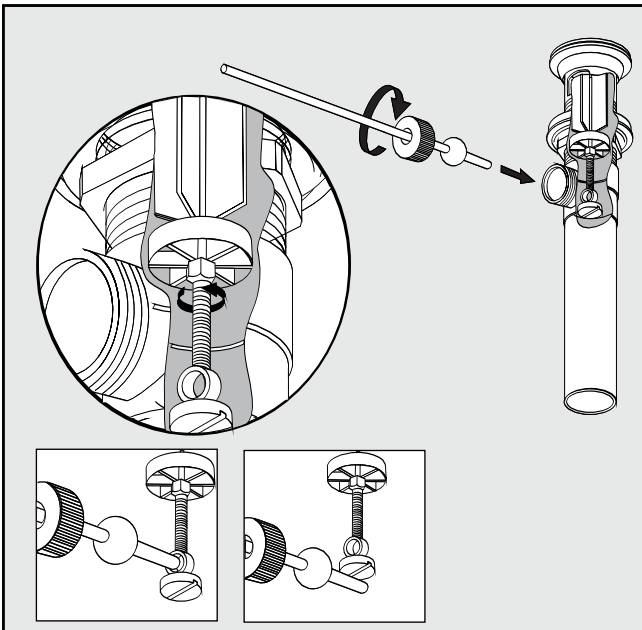
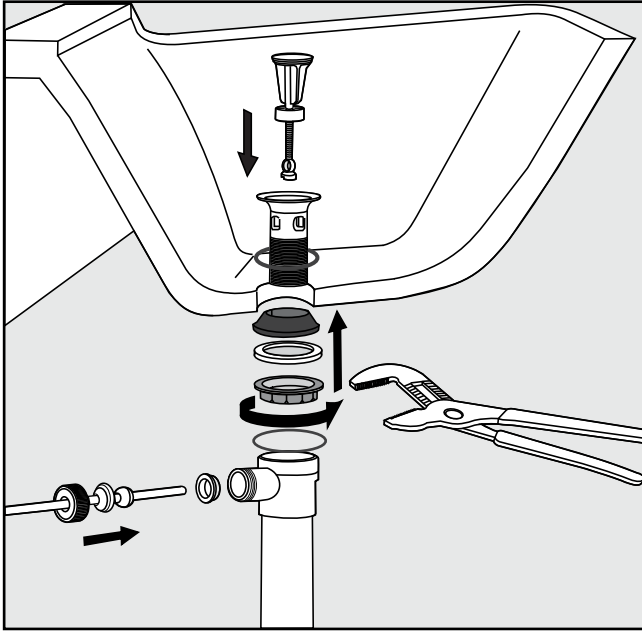


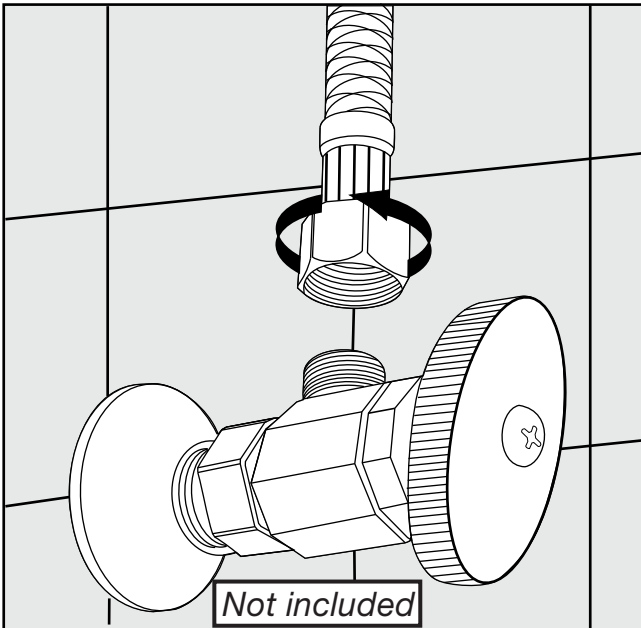
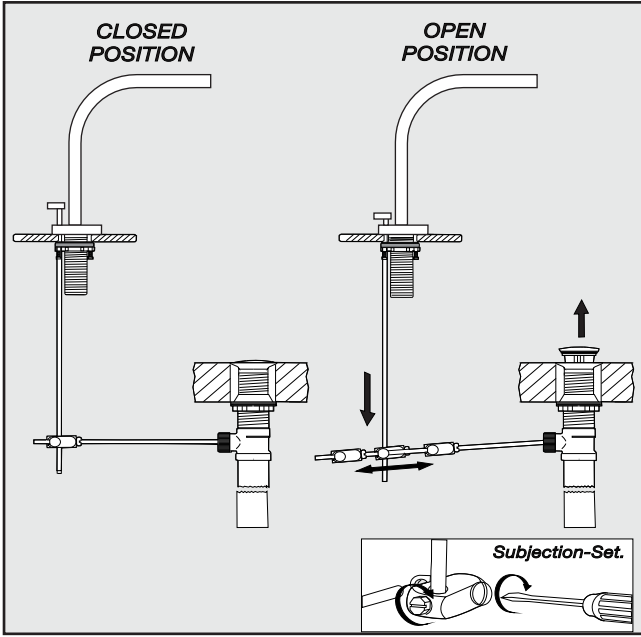




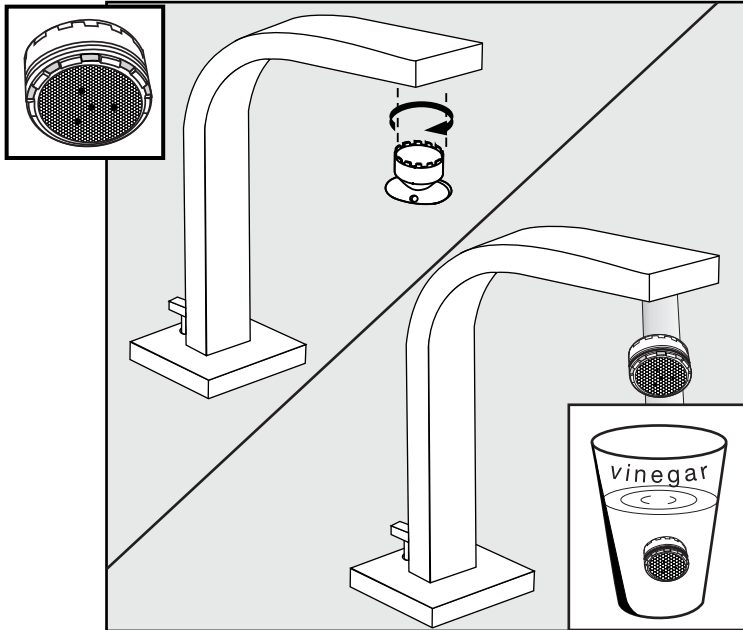
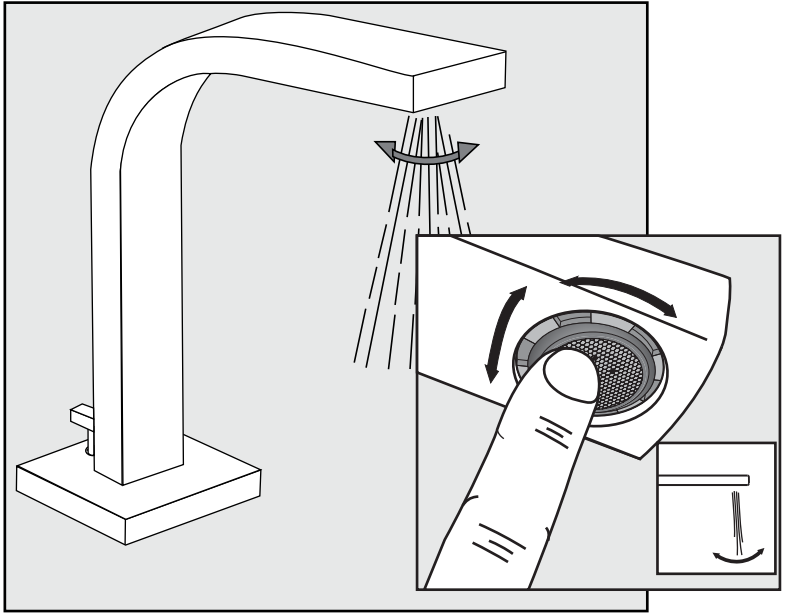








# Dominic lever *plus* Faucets - Line 85L



## FRANZ VIEGENER

A FV S.A. company.

4000 Porett Drive • Gurnee Illinois 60031

Phone 847-244-1234 / Fax 847-244-1259

FRANZ VIEGENER reserve the right to make revisions without notice in the design of faucets and bathroom accessories or in packaging.  
FOLLFV201/85L Edition N° 1 \_ January 2011