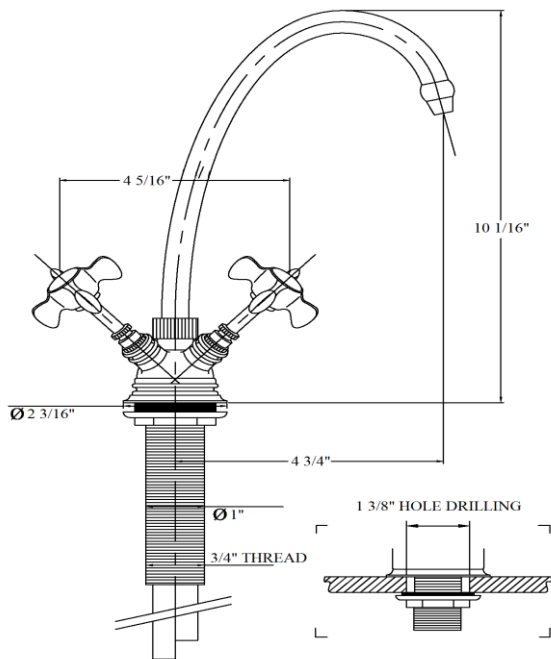


3050 – ‘Royale Verseuse’ Deck Mounted Mixer



Technical Information

- NSF / ANSI 61 & 372 / ASME A112.18.1 / CSA B125.1 / CEC AB1953 / WATERSENSE certified.
- Maximum flow rate is 1.2 GPM with low flow restrictor.
- 1 1/8" hole drilling.
- 3/8" tube connections.
- Cross handles.
- 1/4 turn ceramic Flühs cartridges.
- Available finishes are French Weathered Brass (**47**), Polished Chrome (**48**), SoliBrass (**49**), Lacquered Matte Black Nickel (**50**), Old Gold (**52**), Old Silver (**53**), Polished Brass (**55**), Polished Nickel (**56**), Brushed Nickel (**57**), Satin Nickel (**60**), Antique Lacquered Copper (**67**), Antique Lacquered Brass (**68**), Weathered Brass (**70**), Lacquered Polished Black Nickel (**71**) and Lacquered Polished Copper (**80**).
- Please See Cleaning Instructions: <http://herbeau.com/CleaningAll.pdf> For Finish Care and Maintenance Information.

Part #	Description
01	Royale Verseuse Spout
02	Brass Handle Screw
03	Cross Handle
04	Cartridge Cover
05	Cross Handle Stem
06	1/4 Turn Ceramic Cartridge
07	Locking Collar
08	Washer
09	Verseuse Deck Mount Body
10	Threaded Stem
11	Escutcheon
12	Metal Ring & Rubber Washer
13	Aerator Cap
14	Hex Nut
15	Flow Restrictor
16	Aerator
17	Rubber O-Ring
18	Nylon Clip
19	Rubber O-Ring
20	Herbeau Ceramic Insert



C US

U.P. Code
NSF-61/9-G
ASME A112.18.1/CSA B125.1



Certified by
NSF International

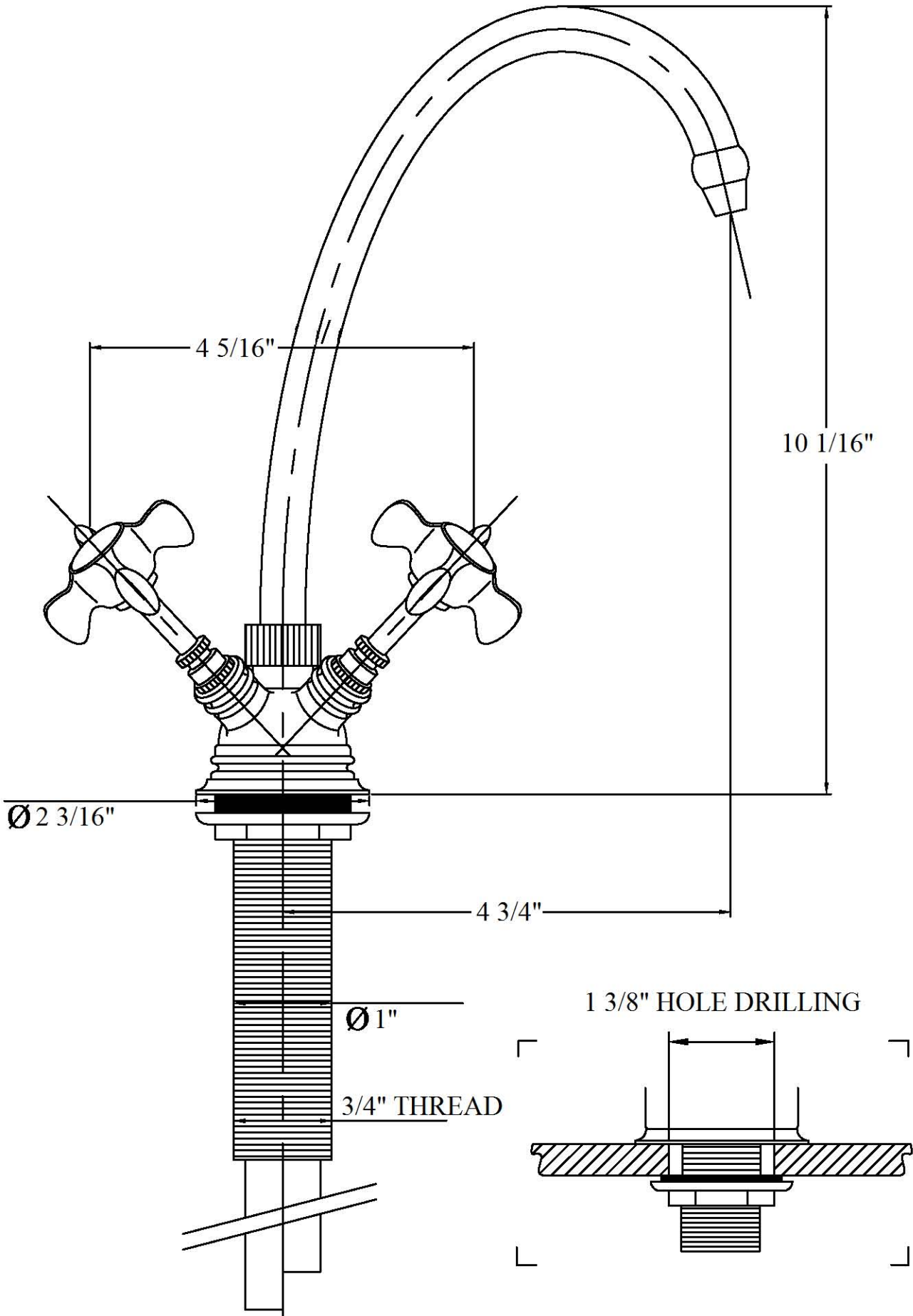
Please follow example when ordering parts for 'Verseuse' Mixer

- To order part#03 – Cross Handle
 - 950137xx
- Please substitute finish number needed in place of xx



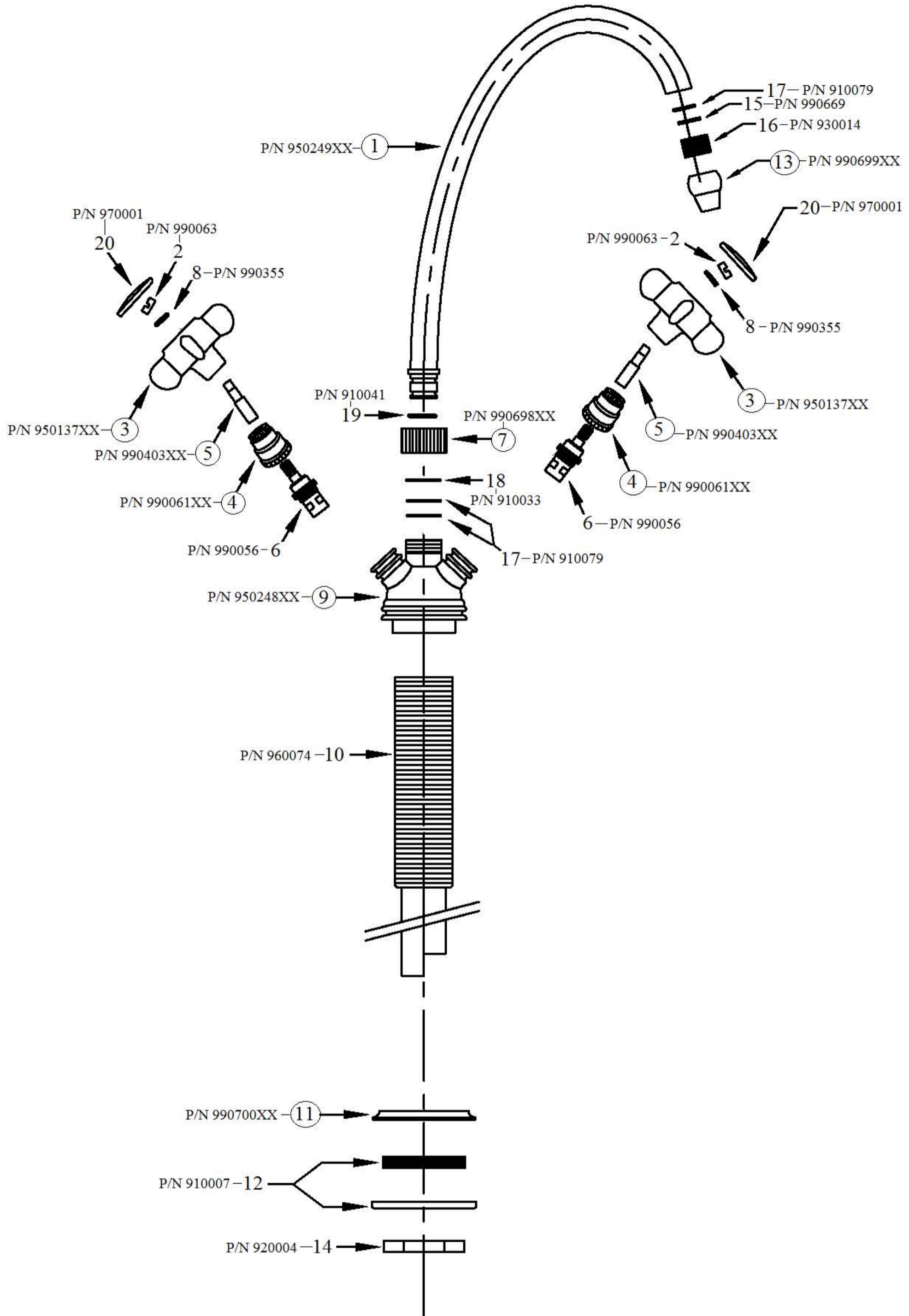
Herbeau[®]
L'Art du Sanitaire depuis 1857

3050 - 'Royale Verseuse' Deck Mounted Mixer



3050 - 'Royale Verseuse' Deck Mounted Mixer

*P/N = PART NUMBER



○ = FINISHED PARTS

XX = TWO DIGIT FINISH CODE