

INSTALLATION INSTRUCTIONS

Brass Trims for Thermostatic Valve (J-TH34/J-TH12)



Confidence from start to finish.®

STEP 1: FIND IMAGE AND/OR PART # OF TRIM THAT YOU PURCHASED *(THIS IS WHAT FINISHED PRODUCT WILL LOOK LIKE)*



T878-TRIM



T874-TRIM



T886-TRIM



T885-TRIM



T478-TRIM



T474-TRIM



T488-TRIM



T484-TRIM



T570-TRIM



T573-TRIM



T432-TRIM



T476-TRIM



T759-TRIM



T762-TRIM



T578-TRIM



T574-TRIM



T592-TRIM



T586-TRIM



T585-TRIM



T537-TRIM



T539-TRIM



T536-TRIM



T778-TRIM



T774-TRIM



T792-TRIM



T786-TRIM



T785-TRIM



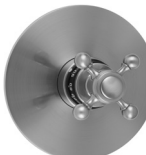
T737-TRIM



T739-TRIM



T736-TRIM



T178-TRIM



T174-TRIM



T188-TRIM



T184-TRIM



T530-TRIM



T532-TRIM



T538-TRIM



T572-TRIM



T173-TRIM



T559-TRIM



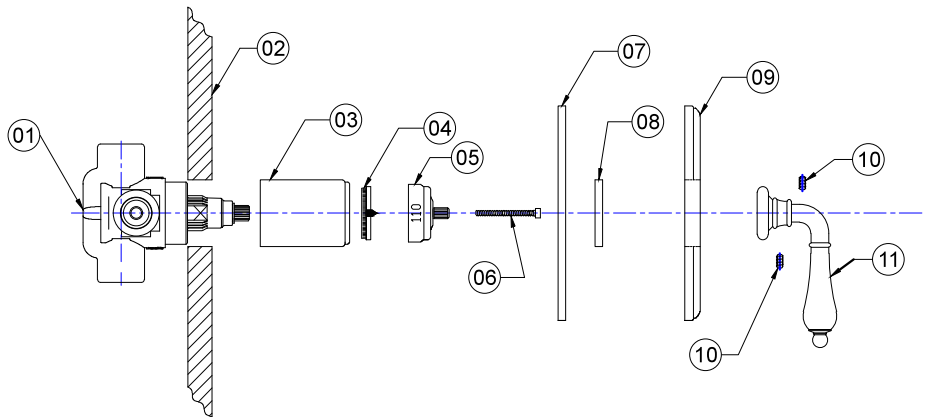
T562-TRIM

CONTINUED

STEP 2: FIND YOUR PART NUMBER AND FOLLOW THE STEPS IN PICTURE

COMPONENTS

- 01 - J-TH34
- 02 - WALL
- 03 - DIAL SLEEVE - 1050-9-**
- 04 - DIAL POINTER - 1050-8-0
- 05 - TEMPERATURE DIAL - 1050-6-** / 1050-7-0
- 06 - SCREW - TH34-TH12-HRDW-0
- 07 - PLATE GASKET - TH34-THI2-HRDW-0
- 08 - GASKET - 1050-10-0
- 09 - FACE PLATE TRIM - VARIES ON MODEL
- 10 - SET SCREW - VARIES ON MODEL
- 11 - HANDLE - VARIES ON MODEL



T574-TRIM
T585-TRIM
T537-TRIM
T539-TRIM
T536-TRIM
T432-TRIM

T774-TRIM
T785-TRIM
T737-TRIM
T739-TRIM
T736-TRIM
T476-TRIM

T874-TRIM
T885-TRIM
T474-TRIM
T484-TRIM
T570-TRIM
T759-TRIM

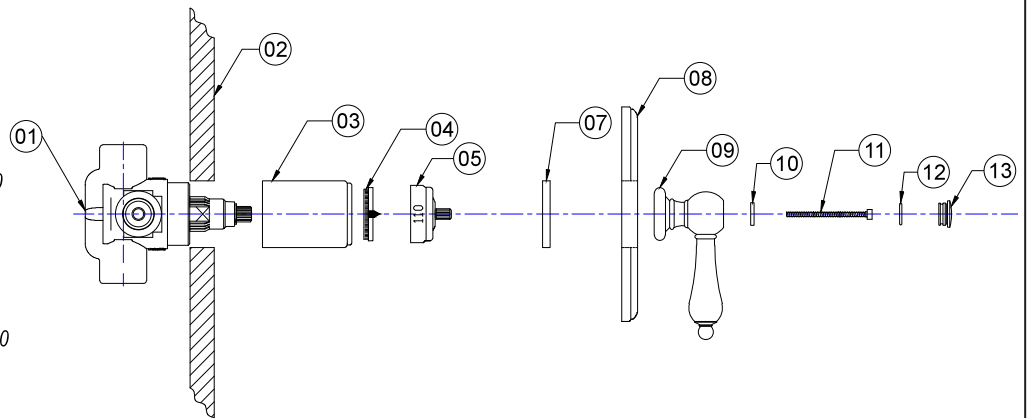
T573-TRIM
T174-TRIM
T184-TRIM
T532-TRIM
T538-TRIM
T762-TRIM

T572-TRIM
T173-TRIM
T586-TRIM
T786-TRIM
T886-TRIM

T488-TRIM
T188-TRIM
T530-TRIM
T562-TRIM
T559-TRIM

COMPONENTS

- 01 - J-TH34
- 02 - WALL
- 03 - DIAL SLEEVE - 1050-9-**
- 04 - DIAL POINTER - 1050-8-0
- 05 - TEMPERATURE DIAL - 1050-6-** / 1050-7-0
- 06 - PLATE GASKET - TH34-THI2-HRDW-0
- 07 - GASKET - 1050-10-0
- 08 - FACE PLATE TRIM - VARIES ON MODEL
- 09 - HANDLE - VARIES ON MODEL
- 10 - WASHER - 30751-13-0
- 11 - SCREW THRU HANDLE - TH34-THI2-HRW-0
- 12 - "O" RING - 30066-0
- 13 - CAP - VARIES ON MODEL



T578-TRIM
T592-TRIM
T778-TRIM
T792-TRIM

T178-TRIM
T878-TRIM
T478-TRIM

INSTALLATION INSTRUCTIONS

Brass Trims for Thermostatic Valve with Built In
2 way & 3 way Diverter/Volume Control
(J-TH34-686/J-TH34-687/J-TH34-688/J-TH34-689)



STEP 1: FIND IMAGE AND/OR PART # OF TRIM THAT YOU PURCHASED



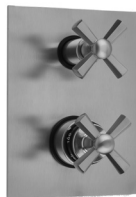
T8574-TRIM



T8757-TRIM



T8586-TRIM



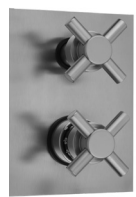
T8585-TRIM



T7537-TRIM



T7572-TRIM



T7532-TRIM



T7530-TRIM



T7538-TRIM



T7502-TRIM



T7503-TRIM



T7539-TRIM



T7533-TRIM



T7534-TRIM



T7535-TRIM



T7536-TRIM



T7562-TRIM



T7549-TRIM



T9574-TRIM



T9757-TRIM



T9586-TRIM



T9585-TRIM



T8537-TRIM



T8572-TRIM



T8532-TRIM



T8530-TRIM



T8538-TRIM



T8502-TRIM



T8503-TRIM



T8539-TRIM



T8533-TRIM



T8534-TRIM



T8535-TRIM



T8536-TRIM



T9534-TRIM



T9535-TRIM



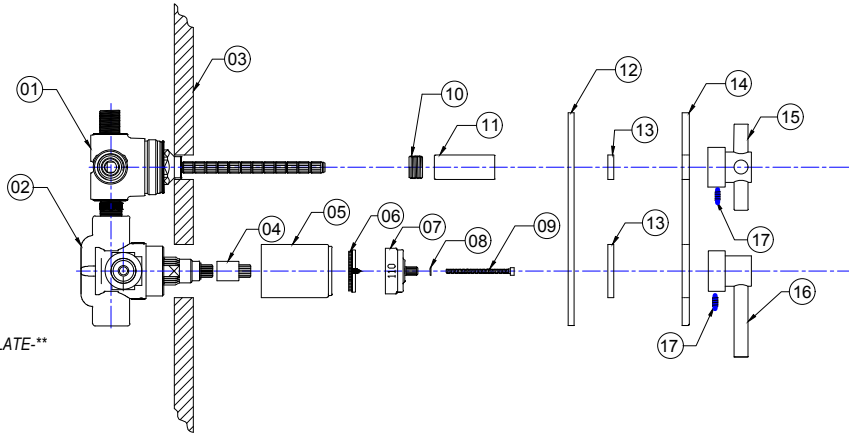
T9536-TRIM

CONTINUED →

STEP 2: FIND YOUR PART NUMBER AND FOLLOW THE STEPS IN PICTURE

COMPONENTS

- 01 - J-20686 / J-20687 / J-20688 / J-20689
- 02 - J-TH34
- 03 - WALL
- 04 - 60mm EXTENSION - 60MM-EXT-0
- 05 - DIAL SLEEVE - 1050-9-60MM-**
- 06 - DIAL POINTER - 1050-8-0
- 07 - TEMPERATURE DIAL - 1050-6-** / 1050-7-0
- 08 - STAINLESS STEEL WASHER - TH34-686-688-HRDW-0
- 09 - M4 x 7 x 50mm STAINLESS STEEL - TH34-686-688-HRDW-0
- 10 - BUSHING - 6000-BUSHING-RGH
- 11 - THERM. SLEEVE - 6000-12-**
- 12 - PLATE GASKET - TH34-686-688-HRDW-0
- 13 - GASKET - 1050-10-0 / 1050-11-0
- 14 - FACE PLATE TRIM - (RECT.) 7000-PLATE-** / (OVAL) 8000-PLATE-**
- 15 - DIVERTER HANDLE - VARIES ON MODEL
- 16 - THERM. HANDLE - VARIES ON MODEL
- 17 - SET SCREW - TH34-686-688-HRDW-0



T7537-TRIM
T7572-TRIM
T7532-TRIM
T7539-TRIM
T7535-TRIM
T7549-TRIM

T7530-TRIM
T7538-TRIM
T7502-TRIM
T7533-TRIM
T7536-TRIM

T7503-TRIM
T8585-TRIM
T8586-TRIM
T7534-TRIM
T7562-TRIM

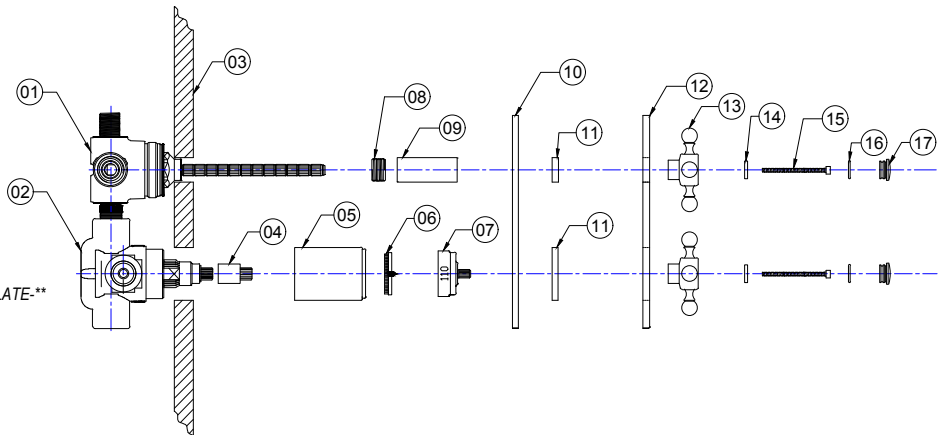
T8537-TRIM
T8572-TRIM
T8532-TRIM
T8539-TRIM
T8535-TRIM
T9536-TRIM

T8530-TRIM
T8538-TRIM
T8502-TRIM
T8533-TRIM
T8536-TRIM

T8503-TRIM
T9585-TRIM
T9586-TRIM
T8534-TRIM
T9535-TRIM

COMPONENTS

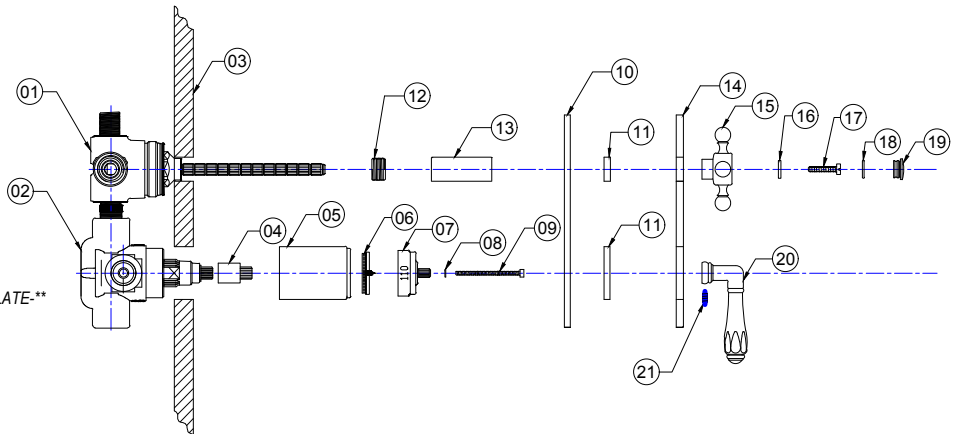
- 01 - J-20686 / J-20687 / J-20688 / J-20689
- 02 - J-TH34
- 03 - WALL
- 04 - 60mm EXTENSION - 60MM-EXT-0
- 05 - DIAL SLEEVE - 1050-9-60MM-**
- 06 - DIAL POINTER - 1050-8-0
- 07 - TEMPERATURE DIAL - 1050-6-** / 1050-7-0
- 08 - BUSHING - 6000-BUSHING-RGH
- 09 - THERM. SLEEVE - 6000-12-**
- 10 - PLATE GASKET - TH34-686-688-HRDW-0
- 11 - GASKET - 1050-10-0 / 1050-11-0
- 12 - FACE PLATE TRIM - (RECT.) 7000-PLATE-** / (OVAL) 8000-PLATE-**
- 13 - DIVERTER / THERM. HANDLE - VARIES ON MODEL
- 14 - WASHER - TH34-686-688-HRDW-0
- 15 - HANDLE SCREW - TH34-686-688-HRDW-0
- 16 - "O" RING - 30066-0
- 17 - CAP - VARIES ON MODEL



T8757-TRIM T9757-TRIM

COMPONENTS

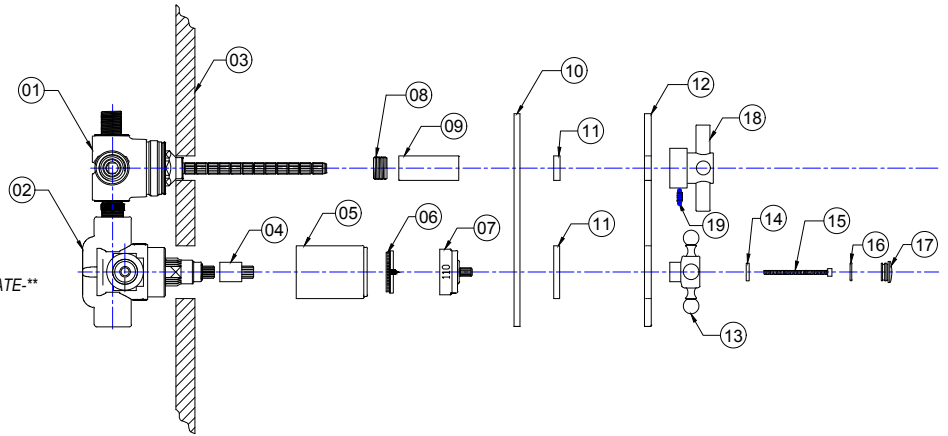
- 01 - J-20686 / J-20687 / J-20688 / J-20689
- 02 - J-TH34
- 03 - WALL
- 04 - 60 mm EXTENSION - 60MM-EXT-0
- 05 - DIAL SLEEVE - 1050-9-60MM-**
- 06 - DIAL POINTER - 1050-8-0
- 07 - TEMPERATURE DIAL - 1050-6-XX / 1050-7-0
- 08 - STAINLESS STEEL WASHER - TH34-686-688-HRDW-0
- 09 - M4 x 7 x 50mm STAINLESS STEEL - TH34-686-688-HRDW-0
- 10 - PLATE GASKET - TH34-686-688-HRDW-0
- 11 - GASKET - 1050-10-0 / 1050-11-0
- 12 - BUSHING - 6000-BUSHING-RGH
- 13 - THERM. SLEEVE - 6000-12-**
- 14 - FACE PLATE TRIM - (RECT.) 7000-PLATE-** / (OVAL) 8000-PLATE-**
- 15 - DIVERTER HANDLE - VARIES ON MODEL
- 16 - WASHER - TH34-686-688-HRDW-0
- 17 - HANDLE SCREW - TH34-686-688-HRDW-0
- 18 - "O" RING - 30066-0
- 19 - CAP - VARIES ON MODEL
- 20 - THERM. HANDLE - VARIES ON MODEL
- 21 - SET SCREW - TH34-686-688-HRDW-0



T8574-TRIM T9574-TRIM

COMPONENTS

- 01 - J-20686 / J-20687 / J-20688 / J-20689
- 02 - J-TH34
- 03 - WALL
- 04 - 60mm EXTENSION - 60MM-EXT-0
- 05 - DIAL SLEEVE - 1050-9-60MM-**
- 06 - DIAL POINTER - 1050-8-0
- 07 - TEMPERATURE DIAL - 1050-6-** / 1050-7-0
- 08 - BUSHING - 6000-BUSHING-RGH
- 09 - THERM. SLEEVE - 6000-12-**
- 10 - PLATE GASKET - TH34-686-688-HRDW-0
- 11 - GASKET - 1050-10-0 / 1050-11-0
- 12 - FACE PLATE TRIM - (RECT.) 7000-PLATE-** / (OVAL) 8000-PLATE-**
- 13 - DIVERTER / THERM. HANDLE - VARIES ON MODEL
- 14 - WASHER - TH34-686-688-HRDW-0
- 15 - HANDLE SCREW - TH34-686-688-HRDW-0
- 16 - "O" RING - 30066-0
- 17 - CAP - VARIES ON MODEL
- 18 - DIVERTER HANDLE - VARIES ON MODEL
- 19 - SET SCREW - TH34-686-688-HRDW-0



T9534-TRIM

INSTALLATION INSTRUCTIONS

Brass Trims for Thermostatic Valve with Integral Volume Control (J-THVC12)



STEP 1: FIND IMAGE AND/OR PART # OF TRIM THAT YOU PURCHASED



T6592-TRIM



T6574-TRIM



T6757-TRIM



T6586-TRIM



T6585-TRIM



T6579-TRIM



T6599-TRIM



T6547-TRIM



T6577-TRIM



T6536-TRIM



T6534-TRIM



T6000-TRIM



T4574-TRIM



T4757-TRIM



T4586-TRIM



T4585-TRIM



T6530-TRIM



T6532-TRIM



T6572-TRIM



T6549-TRIM



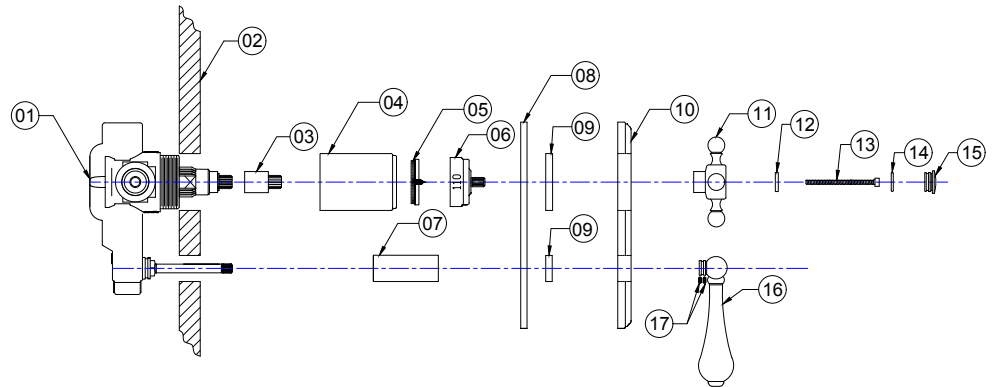
T6562-TRIM

CONTINUED →

STEP 2: FIND YOUR PART NUMBER AND FOLLOW THE STEPS IN PICTURE

COMPONENTS

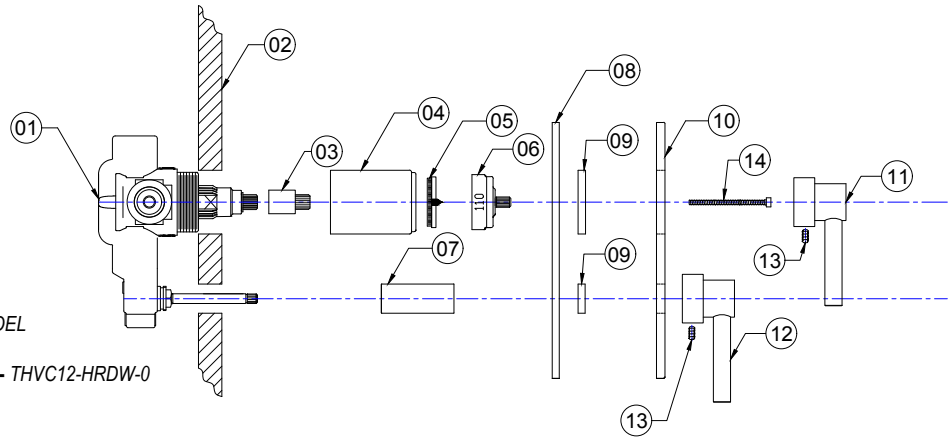
- 01 - J-THVC12
- 02 - WALL
- 03 - 60mm EXTENSION - 60MM-EXT-0
- 04 - DIAL SLEEVE - 1050-9-60MM-**
- 05 - DIAL POINTER - 1050-8-0
- 06 - TEMPERATURE DIAL - 1050-6-** / 1050-70
- 07 - THERM SLEEVE - 6000-12-**
- 08 - PLATE GASKET - THVC12-HRDW-0
- 09 - GASKETS - 1050-0 / 1050-11-0
- 10 - FACE PLATE TRIM - VARIES ON MODEL
- 11 - THERM. HANDLE - VARIES ON MODEL
- 12 - WASHER - THVC12-HRDW-0
- 13 - HANDLE SCREW - THVC12-HRDW-0
- 14 - "O" RING - 30066-0
- 15 - CAP - VARIES ON MODAL
- 16 - VOLUME CONTROL HANDLE - VARIES ON MODEL
- 17 - SET SCREWS - THVC12-HRDW-0



- T6592-TRIM T6534-TRIM
- T6574-TRIM T4574-TRIM
- T6579-TRIM
- T6577-TRIM

COMPONENTS

- 01 - J-THVC12
- 02 - WALL
- 03 - 60mm-EXTENSION - 60MM-EXT-0
- 04 - DIAL SLEEVE - 1050-9-60MM-**
- 05 - DIAL POINTER - 1050-8-0
- 06 - TEMPERATURE DIAL - 1050-6-XX / 1050-7-0
- 07 - THERM. SLEEVE - 6000-12-**
- 08 - PLATE GASKET - THVC12-HRDW-0
- 09 - GASKETS - 1050-10-0 / 1050-11-0
- 10 - FACE PLATE TRIM - VARIES TO MODEL
- 11 - THERM. HANDLE - VARIES TO MODEL
- 12 - VOLUME CONTROL HANDLE - VARIES TO MODEL
- 13 - SET SCREWS - THVC12-HRDW-0
- 14 - THERM. DIAL TO THERM CARTRIDGE SCREW - THVC12-HRDW-0



- T6757-TRIM T6536-TRIM T6530-TRIM
- T6586-TRIM T6000-TRIM T6532-TRIM
- T6585-TRIM T4757-TRIM T6572-TRIM
- T6599-TRIM T4586-TRIM T6549-TRIM
- T6547-TRIM T4585-TRIM T6562-TRIM

Over Fifty Years of Excellence Proud to be an American Company



CARE INSTRUCTIONS

In order to maintain the high quality finish of JACLO products, please adhere to the following product care instructions:

Cleaning JACLO products: For routine cleaning, simply use a soft damp cloth and common household soap, then rinse and dry. Proper care of your product is important because most water contains calcium that deposits on surfaces, forming unpleasant spots. This can be avoided by routine cleaning and drying after every use. Use only mild soap detergents. JACLO products may be periodically waxed with non abrasive compounds, such as Flitz® faucet wax.

Never use abrasive cleaners, bleach, disinfectants or cleaning products containing alcohol, ammonia, hydrochloric or phosphoric acids as they will damage the product finish.

Please note: Your product warranty may not be valid if the above cleaning guidelines are not followed.

WARRANTY

Residential Warranty: Your new plumbing fixture is warranted by JACLO INDUSTRIES, 129 Dermody Street, Cranford, NJ 07016. This warranty is extended to original consumer purchasers only. This warranty gives you specific legal rights, and you may also have other rights which vary from state to state.

The product (including the finish on the product but excluding any custom finishes and any installation hardware not supplied by JACLO) is warranted to be free from defects in material or workmanship under normal use and service for the lifetime* of the fixture, so long as the original consumer purchaser owns it. JACLO's sole obligation under this or any other warranty is limited to repairing or replacing at JACLO's option, without labor, any part or parts of the fixture which fail to conform to such warranty.

JACLO WILL NOT BE LIABLE FOR ANY CONSEQUENTIAL OR INCIDENTAL DAMAGES CAUSED BY A BREACH OF THIS OR ANY OTHER WARRANTY.

Some states do not allow the exclusion of limitation of incidental or consequential damages, so the above limitation may not apply to you.

To secure warranty performance, the original consumer purchaser must have the fixture properly and professionally installed in accordance with all codes and installation instructions.

Items and actions that will void the JACLO warranty are:

- Abuse, misuse, neglect and accidental damage
- Improper cleaning, care and maintenance of the fixture
- Alteration of the fixture in any way including removal of a flow regulator/restrictor

All warranty claims must be made in accordance with the JACLO return policy (see below).

JACLO does not authorize any distributor, retailer or other person to modify this warranty or assume any liability on its behalf with respect to it. Any question regarding the operation of warranty should be addressed to JACLO's warranty department.

*Due to the unpredictable environment, all kitchen drains, strainers and garbage disposal flanges are warranted for the period of one year from date of purchase from an authorized JACLO dealer.

Un-lacquered Brass (ULB) is a living finish and is excluded from any finish warranty.

Commercial Warranty: JACLO offers the above warranty for a period of one year from date of purchase to purchasers of products for industrial, commercial, business and all non-private residential uses.

