

Features

- Solid metal construction
- Brass valve bodies
- Quarter-turn washerless ceramic disc valve cartridges
- ADA compliant contemporary lever handles
- Spout assembly with integral supply hoses
- Pop-up drain with tailpiece
- 4-5/8" (11.7 cm) spout height at outlet
- 5-7/8" (14.9 cm) spout reach (c-c)
- For 8" (20.3 cm) centers - Maximum 20" (50.8 cm)
- 1.2 gallons (4.5 liters) per minute maximum flow rate

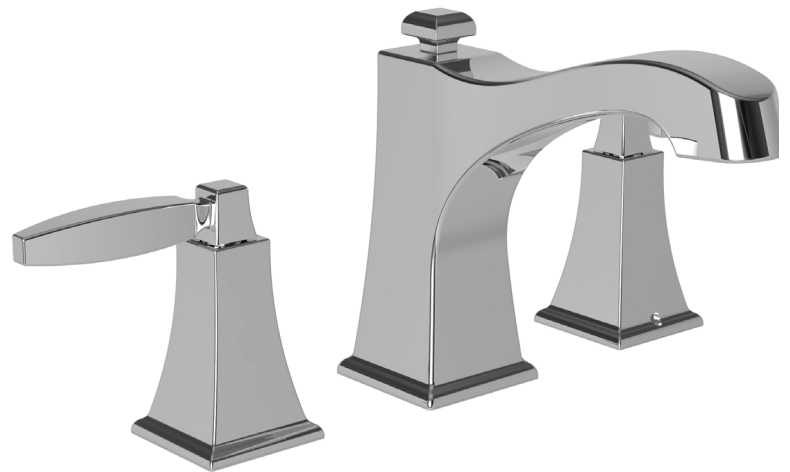
Codes / Standards Compliance

Meets or exceeds the following at date of manufacture:

- ASME A112.18.1/CSA B125.1
- IAPMO/cUPC
- IPC
- NSF 61
- ADA
- ICC/ANSI A117.1
- Energy Policy Act of 1992
- All applicable US Federal and State material regulations
- EPA Watersense

Widespread Lavatory Faucet

8100



Colors / Finishes

- 09: Old World Bronze
- 15: Polished Nickel
- 15S: Satin Nickel - PVD
- 26: Polished Chrome

Specified Model

Model	Description	Colors Finishes
8100	Widespread Lavatory Faucet	<input type="checkbox"/> 09 <input type="checkbox"/> 15 <input type="checkbox"/> 15S <input type="checkbox"/> 26

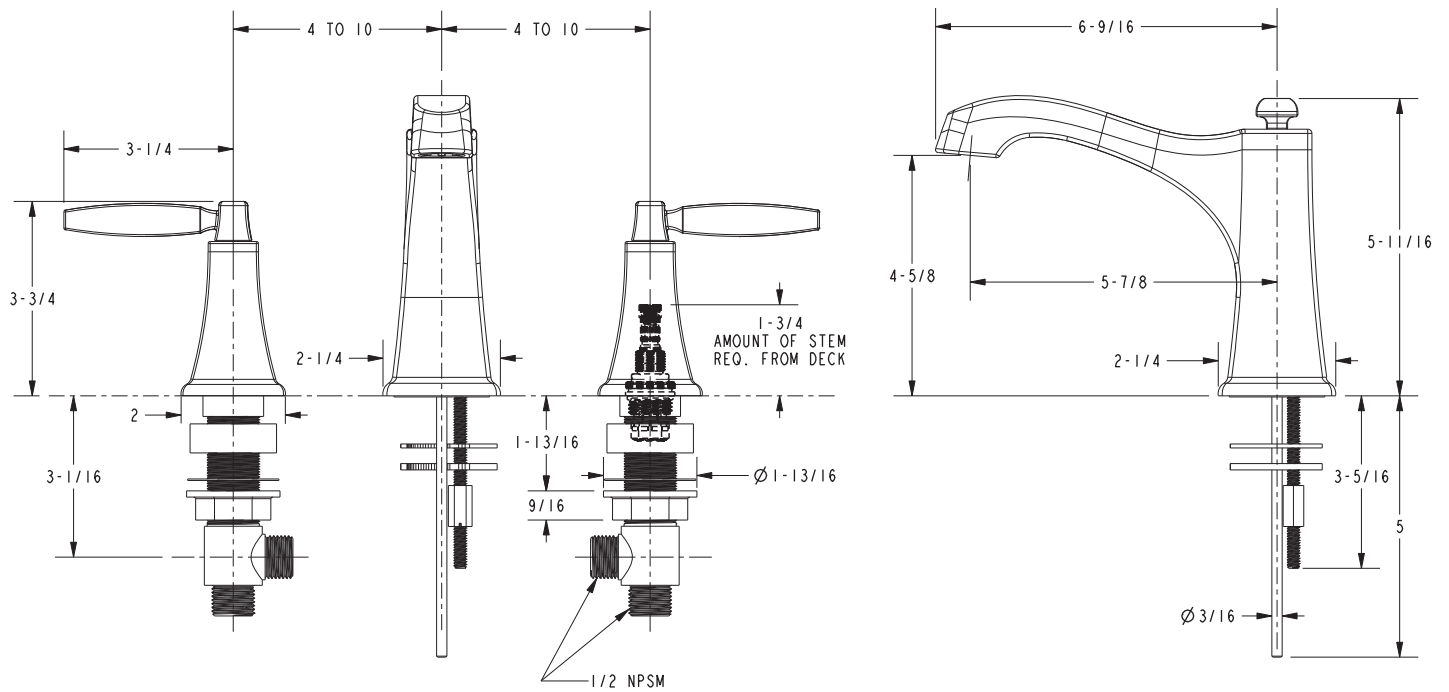
Product Specification

Add "Length Indicator and Color / Finish" suffix to Model number, below.

The two-handle Widespread Lavatory Faucet shall be made of solid metal construction. Faucet shall incorporate a spout assembly with integral supply hoses and feature brass valve bodies with quarter-turn washerless ceramic disc valve cartridges. Faucet shall have a 1.2 gallon (4.5 liter) per minute maximum flow rate. Product shall be for 8" (20.3 cm) centers - Maximum 20" (50.8 cm). Product shall incorporate a 4-5/8" (11.7 cm) spout height at outlet and a 5-7/8" (14.9 cm) spout reach (c-c). Widespread Lavatory Faucet shall be Newport 365 Model 8100/_____.

8100

PRODUCT DIMENSIONS *(Units are in inches)*



Newport 365 Rydder Widespread Lavatory Faucet 8100