

FEATURES:

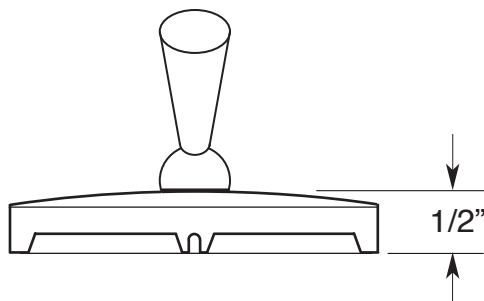
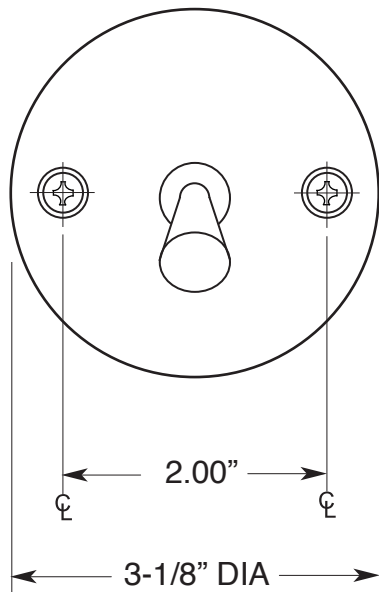
- All brass construction.
- Fits 1-1/2" IPS coarse thread with mounting screws.
- Available in all finishes.
- Certified to meet or exceed the following codes and standards:
ASME A112.18.1/CSAB 125.1-2011

APS

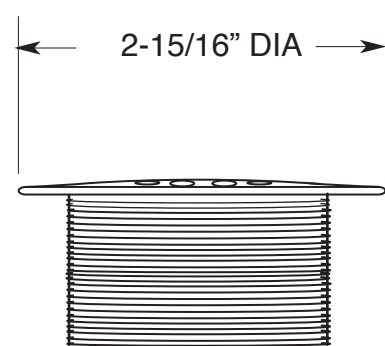
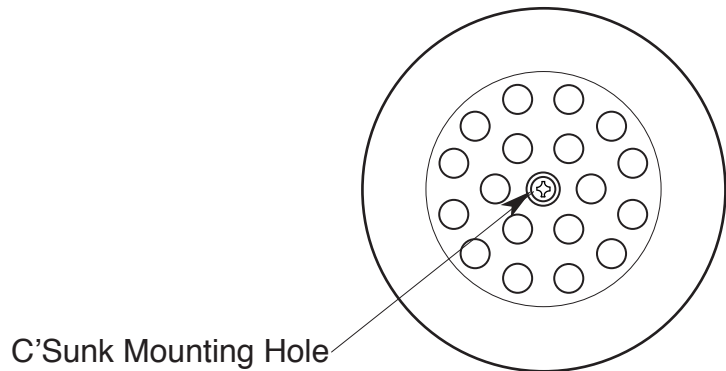
American Plumbing Specialties

**Trip Lever Waste Cover with
Gerber Style Bath Tub Drain**

APS.11.296



FACEPLATE



**LIFT & TURN
DRAIN**

Note: Measurements are subject to change or cancellation. No responsibility is assumed for use of superseded or voided pages.